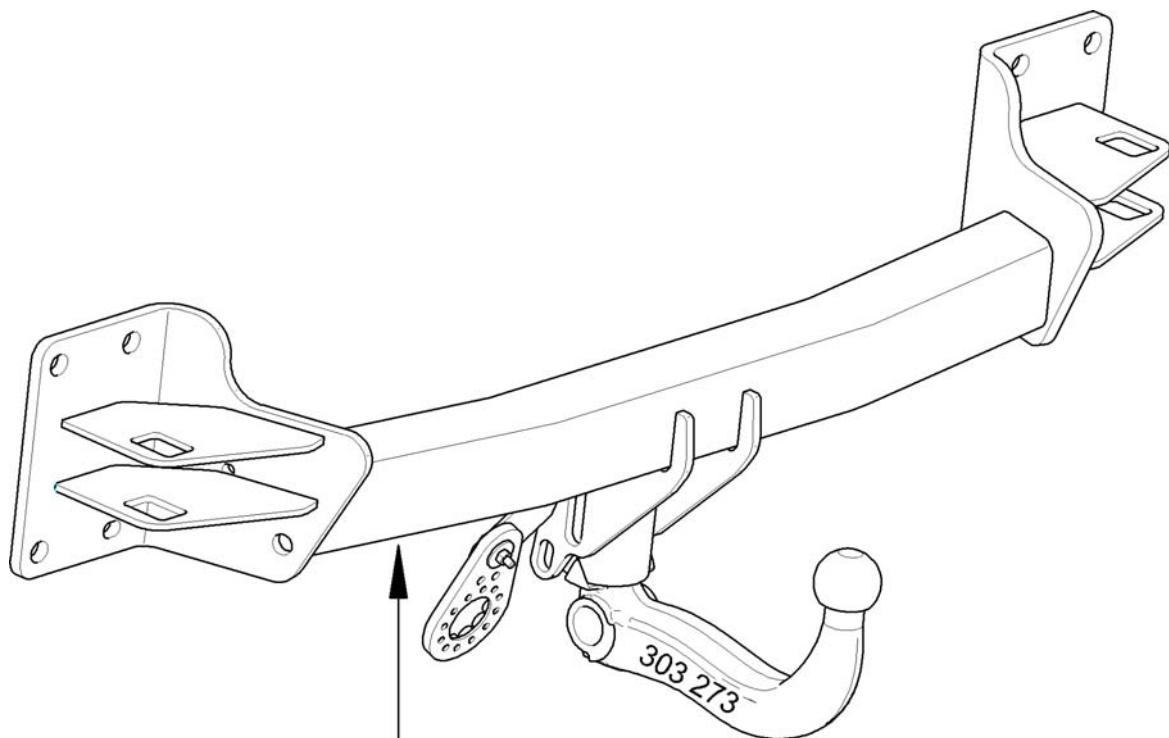


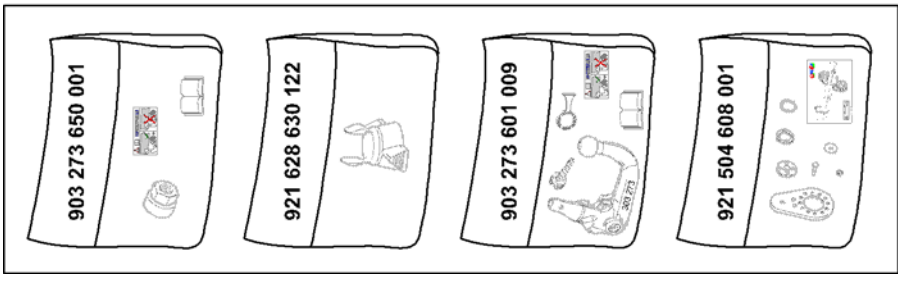
303 273

- D** Montage- und Betriebsanleitung
- CZ** Montážní a provozní návod
- DK** Montage- og driftsvejledning
- E** Instrucciones de montaje y de servicio
- F** Notice de montage et d'utilisation
- FIN** Asennus- ja käyttöohjeet
- GB** Installation and Operating Instructions
- GR** Οδηγίες συναρμολόγησης και λειτουργίας
- I** Istruzioni di montaggio e per l'uso
- N** Monterings- og bruksanvisning
- NL** Montage- en gebruikshandleiding
- PL** Instrukcja montażu i eksploatacji
- S** Monterings- och bruksanvisning

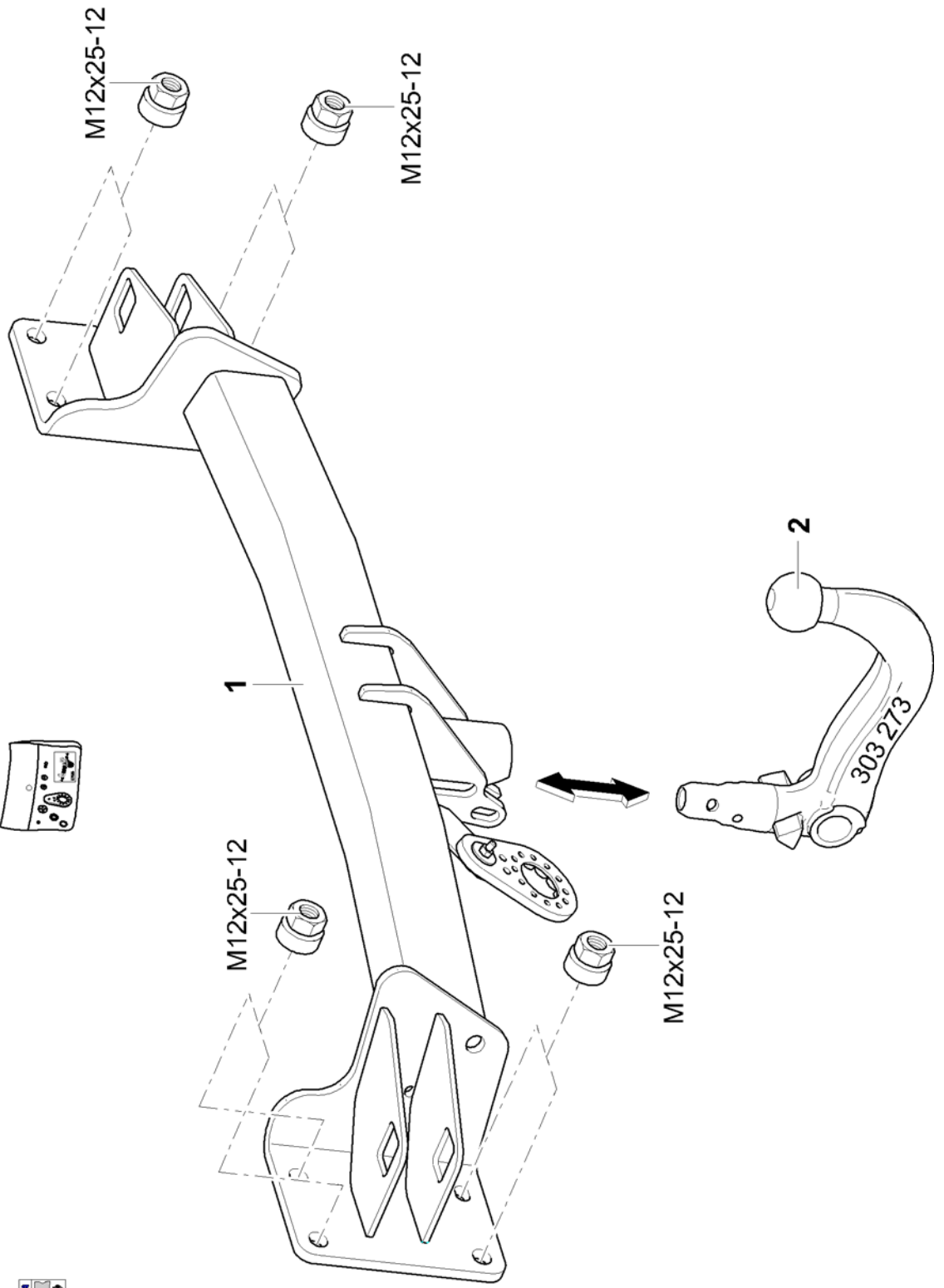


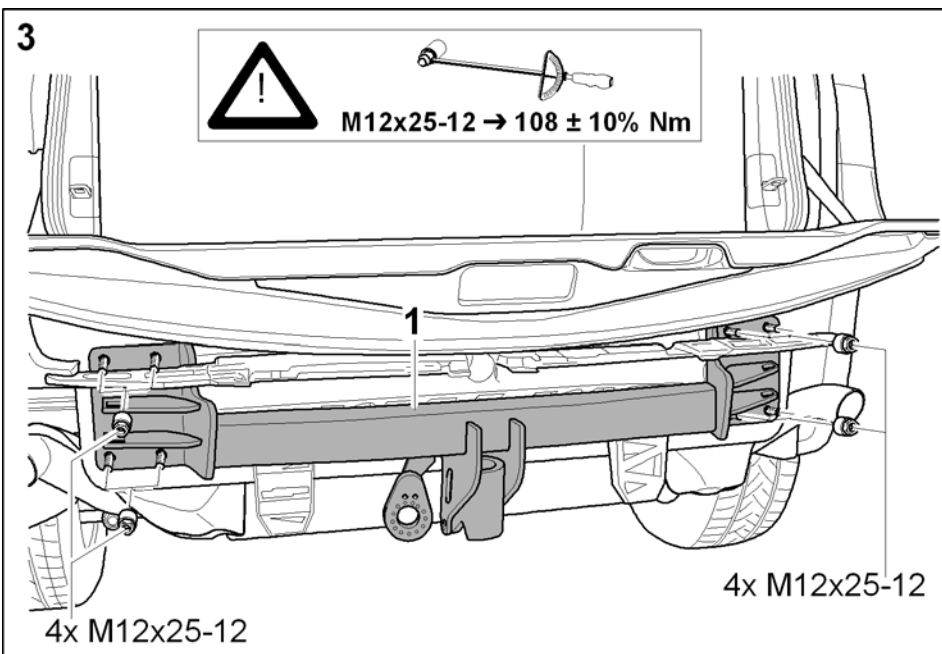
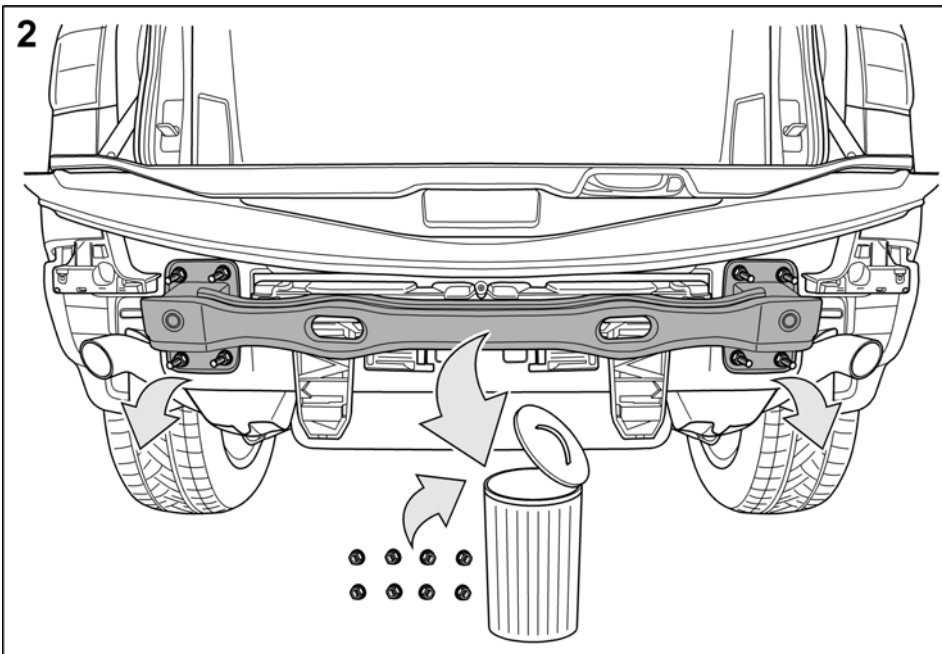
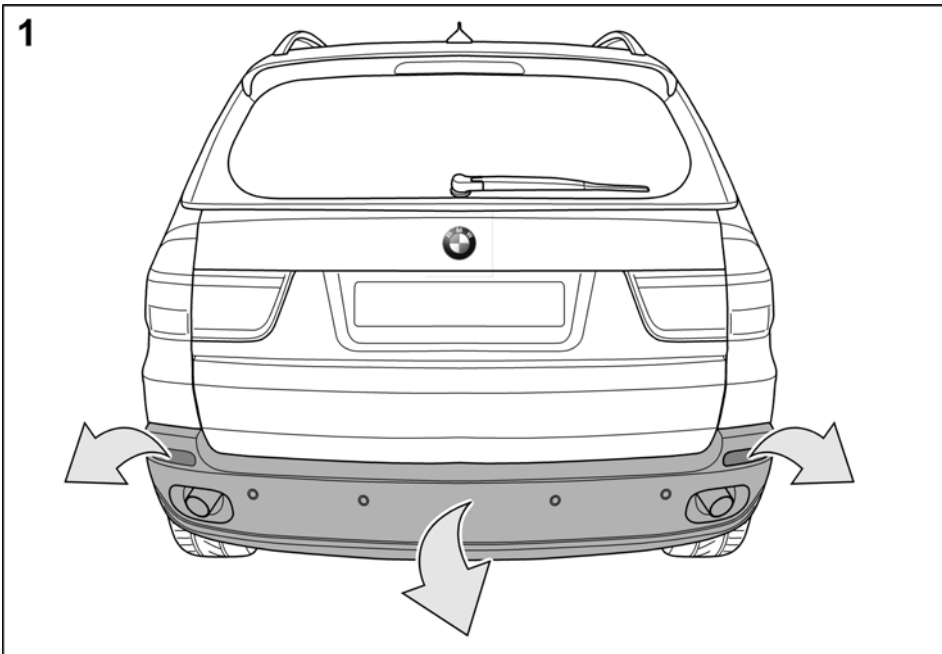
| | | | |
|----------|--------------|-----------------|--------------------|
| B | APPROVAL NO: | e 13 | 00-2475 |
| | TYPE: | 303 273 | D-VALUE: D 16,0 kN |
| PART NO: | | VERT. LOAD: | S 150 kg |
| | | COUPLING CLASS: | A 50-X |
| | | CHARGE: | |

WESTFALIA

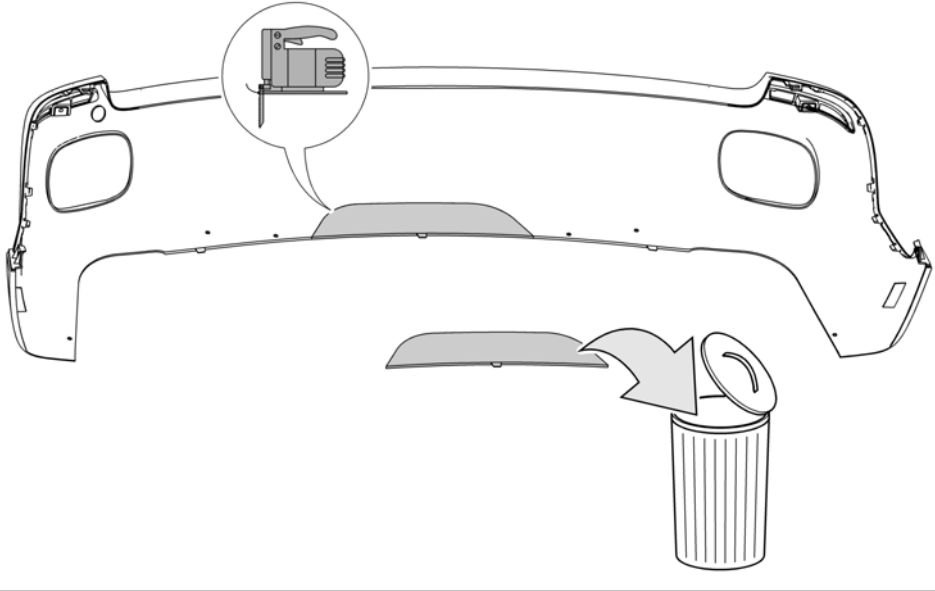


8x M12x25-12 (BMW)

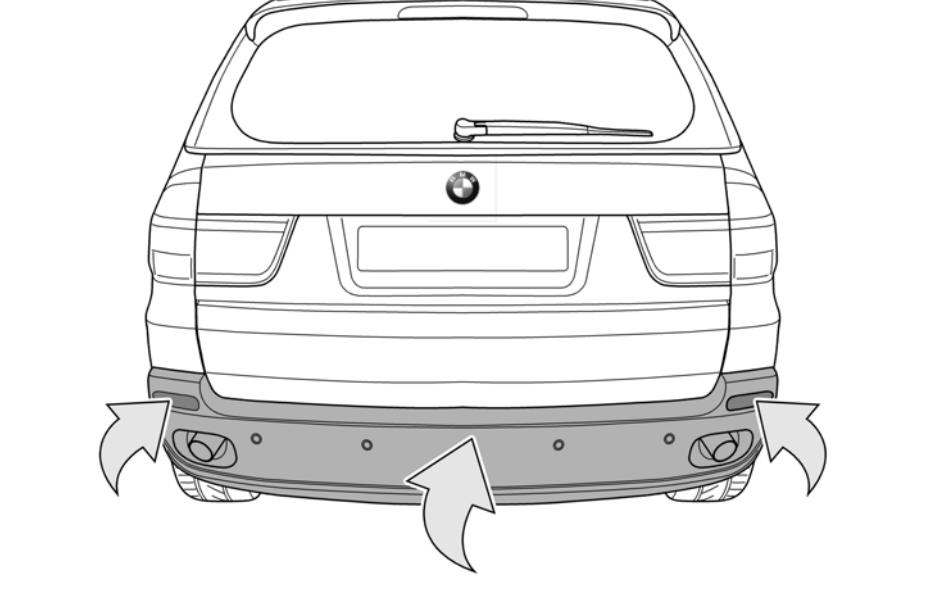




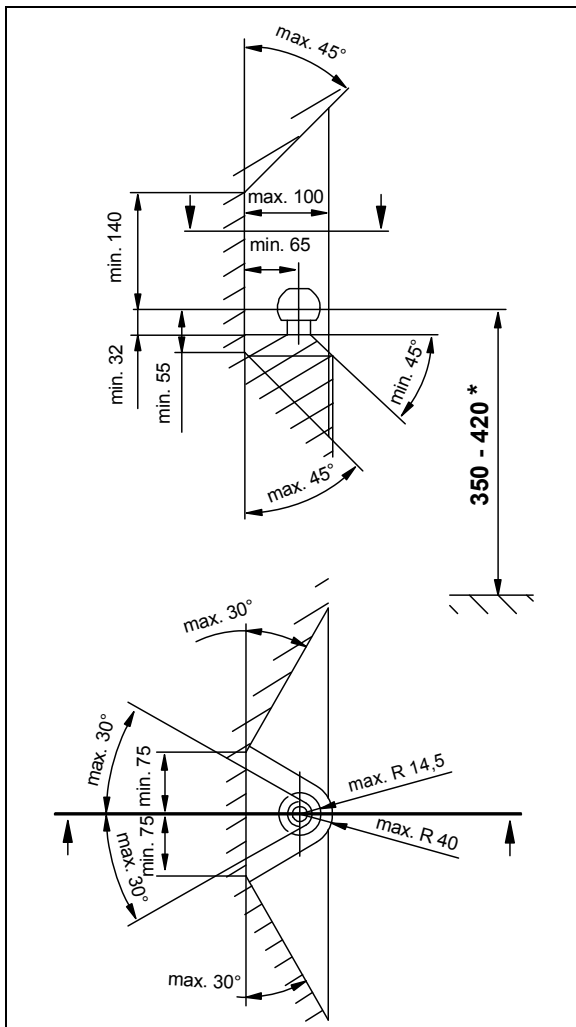
4



5



- D** Der Freiraum nach Anhang VII, Abbildung 30 der Richtlinie 94/20/EG ist zu gewährleisten.
- CZ** Volný prostor ve smyslu Přílohy VII, obr. 30 Směrnice č. 94/20/EG musí být zaručen.
- DK** Frirummet skal overholdes iht. bilag VII, fig. 30 i direktiv 94/20/EF.
- E** Debe garantizarse el espacio libre, conforme al anexo VII, imagen 30 de la directiva comunitaria 94/20/CE.
- F** L'espace libre doit être garanti conformément à l'annexe VII, illustration 30 de la directive 94/20/CE.
- FIN** Liitteen VII, direktiivin 94/20/EY kuvan 30 mukainen vapaatila on taattava.
- GB** The clearance specified in appendix VII, diagram 30 of guideline 94/20/EC must be guaranteed.
- GR** Πρέπει να εξασφαλίζεται ο ελεύθερος χώρος σύμφωνα με το Παράρτημα VII, εικόνα 30 της Οδηγίας 94/20/EK.
- I** Deve essere garantito lo spazio libero secondo l'allegato VII, figura 30 della direttiva 94/20/CE.
- N** Frirommet etter tillegg VII, figur 30 i direktiv 94/20/EØF skal overholdes.
- NL** De tussenruimte volgens aanhangsel VII, afbeelding 30 van de richtlijn 94/20/EG moet in acht worden genomen.
- PL** Zagwarantować swobodną przestrzeń zgodnie z załącznikiem VII, rysunek 30 dyrektywy 94/20/CE.
- S** Glappet enligt bilaga VII, bild 30 i direktiv 94/20/EG ska garanteras.



- D** * bei zulässigem Gesamtgewicht des Fahrzeuges
- CZ** * při celkové přípustné hmotnosti vozidla
- DK** * ved tilladt totalvægt for køretøjet
- E** * con peso total autorizado del vehículo
- F** * pour poids total en charge autorisé du véhicule
- FIN** * Ajoneuvon suurimmalla sallitulla kokonaispainolla
- GB** * at gross vehicle weight rating
- GR** * για το επιτρεπτό μικτό βάρος του οχήματος
- I** * per il peso complessivo ammesso del veicolo
- N** * ved kjøretøyets tillatte totalvekt
- NL** * bij toegestaan totaal gewicht van het voertuig
- PL** * przy dopuszczalnym ciężarze całkowitym pojazdu
- S** * vid fordonets tillåtna totalvikt

Important!

Check the following points to ensure correct **locking** of the detachable ball bar before each journey:

- The green marking on the handwheel is aligned with the green area on the ball bar.
- The handwheel is resting against the ball bar (no gap).
- The lock is closed and the key is withdrawn. The handwheel cannot be pulled out.
- The ball bar must be fully inserted into the receiver and be tight. Check by shaking it.

Repeat the installation procedure if any of the **4 checks is not satisfactory**.

To avoid the **risk of accidents** the towing device should not be used if any of the requirements is not met. Contact the manufacturer if this occurs.

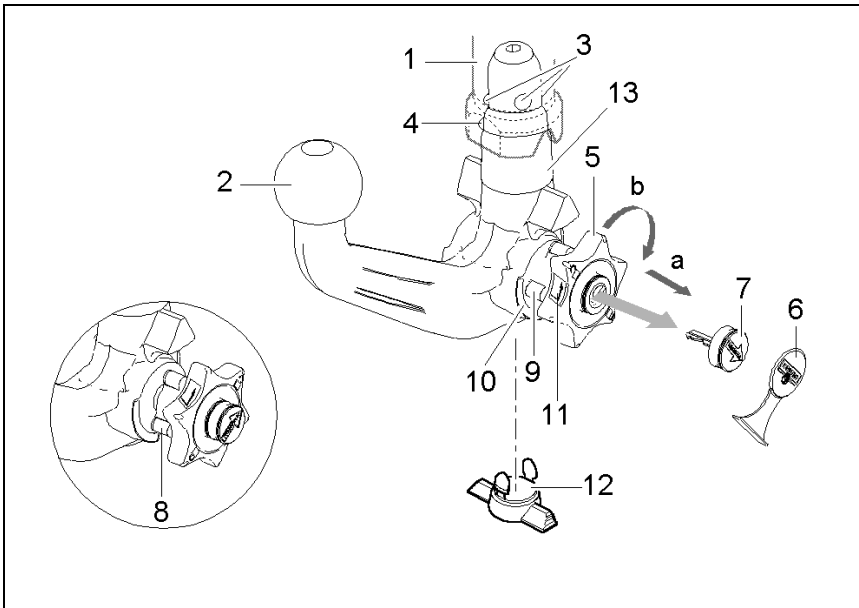
The ball bar can be easily **installed** and **removed** with the normal **force of your hands**.

Never use any sort of aids or tools etc. as this might damage the mechanism.

Never unlock if trailers are attached or load bearing implements mounted!

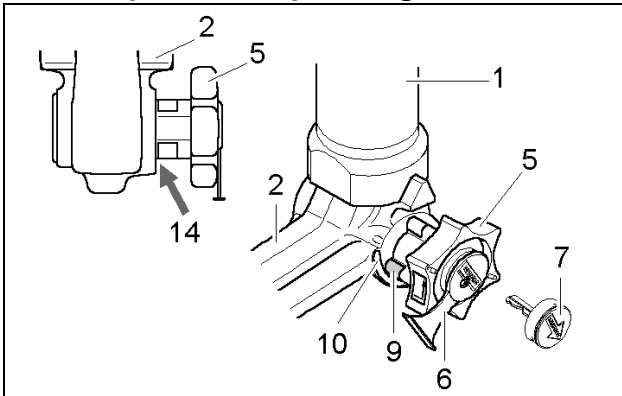
Always remove the ball bar and **insert** the **plug** into the receiver for journeys without a trailer or load bearing implement. This is especially important if the tow ball impedes sight of the vehicle's registration number or lights.

Detachable ball bar

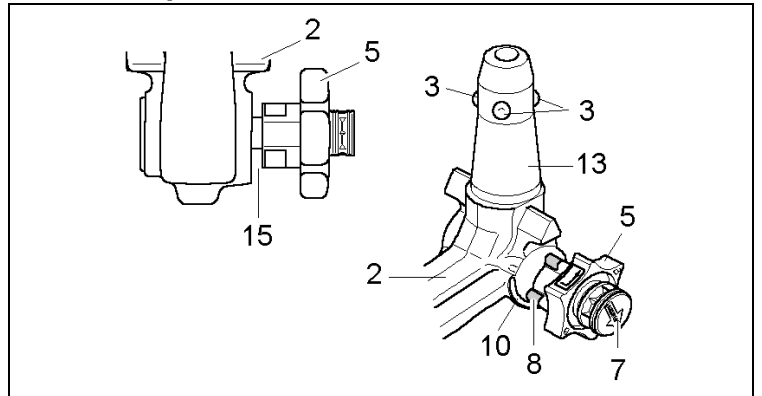


- 1 Receiver
- 2 Ball bar
- 3 Locking balls
- 4 Release ball
- 5 Handwheel
- 6 Cover
- 7 Key
- 8 Red marking (handwheel)
- 9 Green marking (handwheel)
- 10 Green marking (ball bar)
- 11 Symbol (release)
- 12 Plug
- 13 Stop pin
- 14 No gap between 2 and 5
- 15 Gap of approx. 5 mm

Locked position, operating condition



Unlocked position, ball bar not mounted



Installation of the ball bar:

- 1.) Remove the plug from the receiver.
The ball bar is usually in the unlocked position when it is removed from the boot of the vehicle. This is the case if there is a visible gap of approx. 5 mm between the handwheel and the ball bar (see diagram) and the red marking on the handwheel is aligned with the green marking on the ball bar.
Please note that the ball bar can only be inserted in this state!
If the locking mechanism of the ball bar has, for some reason, been disengaged before installation, i.e. the ball bar is in the locked position, the mechanism has to be pre-tensioned. The locked position is easily identifiable as the green marking on the handwheel is aligned with the green marking on the ball bar and there is no gap between the handwheel and the ball bar (see diagram).
Follow the instructions below to pre-tension the locking mechanism:
Insert key and open lock, extract the handwheel in the **direction of arrow a**, and turn it until the limit stop in the **direction of arrow b**. The release ball is pre-tensioned and, after the handwheel is released, the locking mechanism remains in the pre-tensioned position.
- 2.) Install the ball bar together with the stop pin by inserting and pushing both into the receiver.
The **locking operation** is performed **automatically** in this case.
Always keep hands away from the handwheel because it rotates during the locking process.
- 3.) Close the lock and always remove the key. The key cannot be withdrawn if the lock is open! Press the cover onto the lock.

Removal of the ball bar:

- 1.) Pull the cover off the lock and press it onto the handle of the key.
Open the lock with the key.
- 2.) **Hold** the ball bar, extract the handwheel in the **direction of arrow a**, and turn it until the limit stop in the **direction of arrow b** in order to unlock it in the extracted position.
Remove the ball bar from the receiver.
The handwheel can now be released; it automatically engages in the unlocked position.
- 3.) Stow the ball bar in a safe place in the boot of the vehicle and protect it against dirt.
- 4.) Insert the plug into the receiver!

Notes!

Any repairs or dismantling of the detachable ball bar should only be carried out by the manufacturer. Fix the enclosed information plate to the car close to the receiver or inside the boot where it is clearly visible. Always keep the ball bar and the receiver clean to ensure proper operation. Ensure regular servicing of the mechanical parts. Treat lock only with graphite. Lubricate the bearing points, friction surfaces and balls with resin-free grease or oil. Grease and oil also function as additional protection against corrosion. The ball bar has to be removed and the plug inserted when cleaning the car with a steam jet cleaner. The ball bar must not be cleaned with a steam cleaner.

Important!

2 keys are issued with the detachable ball bar. Make a note of and keep the key no. ???? in case of repeat orders.

