

Installation Instructions

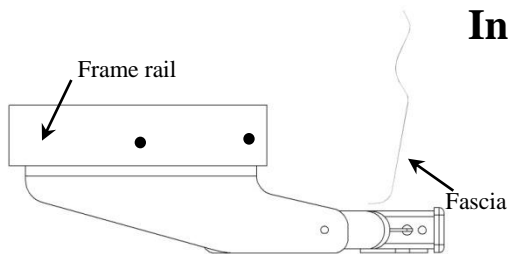
Part Numbers:

75896

87660

44710

Toyota Highlander



**Do Not Exceed Lower of Towing Vehicle
Manufacturer's Rating or**

Hitch type	Max Gross Trailer WT (LB)	Max Tongue WT (LB)
Weight Distributing	8000 (3632 Kg)	900 (409 Kg)
Weight Carrying Ball Mount	6000 (2724 Kg)	900 (409 Kg)

Wiring Access Location: SUV3, 4

Accessory Rating	C
------------------	----------

Hitch Shown In Proper Position

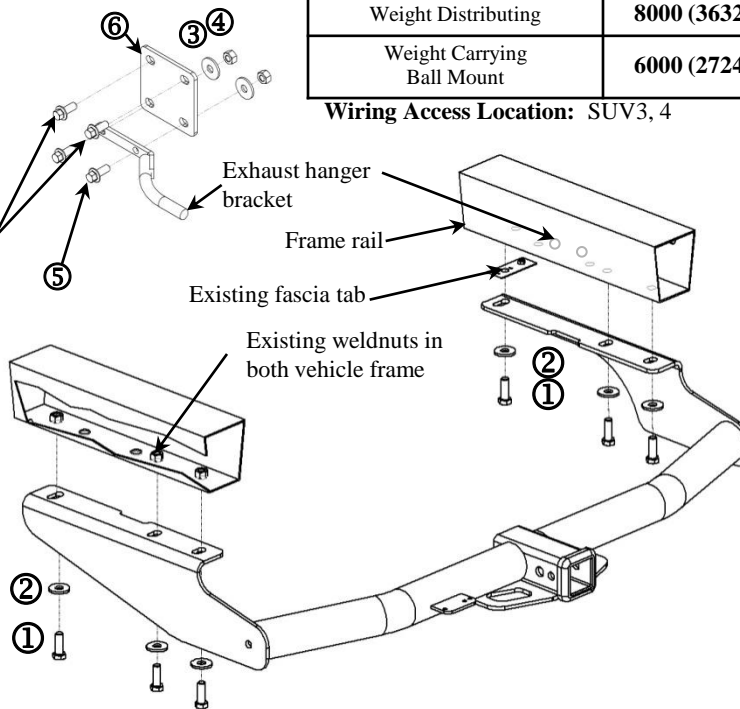
Equipment Required:

Fastener Kit: 75896F

Wrenches: 10mm, 17mm, 19mm, small screwdriver, Phillips head screwdriver, & 6" socket extension



Reuse Existing M8 Bolts



Vehicles heating/cooling hoses located in this area.

Use caution not to pinch.

Note: When stowing the spare or flat tire, it may be necessary to lift up on the rear edge of the tire to clear hitch.

①	Qty. (6)	Hex Bolt – M12 x 1.25 x 30mm CL8.8	②	Qty. (6)	Conical Toothed Washer – 1/2"
③	Qty. (2)	Washer Conical 3/8	④	Qty. (2)	Nut, M8 x 1.25
⑤	Qty. (2)	Bolt M8 x 1.25 x 30 CL8.8	⑥	Qty. (1)	Exhaust Bracket

- If present, remove plastic appearance panels which cover driver's and/or passenger's side frame rails. Remove the plastic rivets that fasten the fascia tabs to the appearance panel. Note: Remove the center of the rivet with a small screwdriver. Passenger's side panel can be reinstalled. Return drivers' side panel and fasteners to owner.
- Remove tow hooks from each frame rail and return hooks and fasteners to vehicle owner.
- Remove plastic and rubber plugs from bottom of frame rail. Return to owner.
- Remove existing M8 bolts from exhaust hanger bracket. Install exhaust bracket (item 6) on frame rail using existing M8 bolts. Use M8-1.25 bolts to install exhaust hanger bracket to exhaust bracket.
- Be careful not to pinch hoses on the outside of the passenger side frame rail or scratch fascia. Remove excess caulking from rails if needed.
- Align hitch into position over existing weldnuts as shown and install fasteners to bottom of frame rails.
Note: Existing fascia tab should be reinstalled between frame rail and bracket.
- Torque all fasteners to specifications.
- Reinstall passenger side appearance panel.

Tighten all M12 x 1.25 CL8.8 fasteners with torque wrench to 76 Lb.-Ft. (103 N*M)
Tighten all M8 x 1.25 CL8.8 fasteners to 20 Lb.-Ft. (27 N*M)

Cequent

