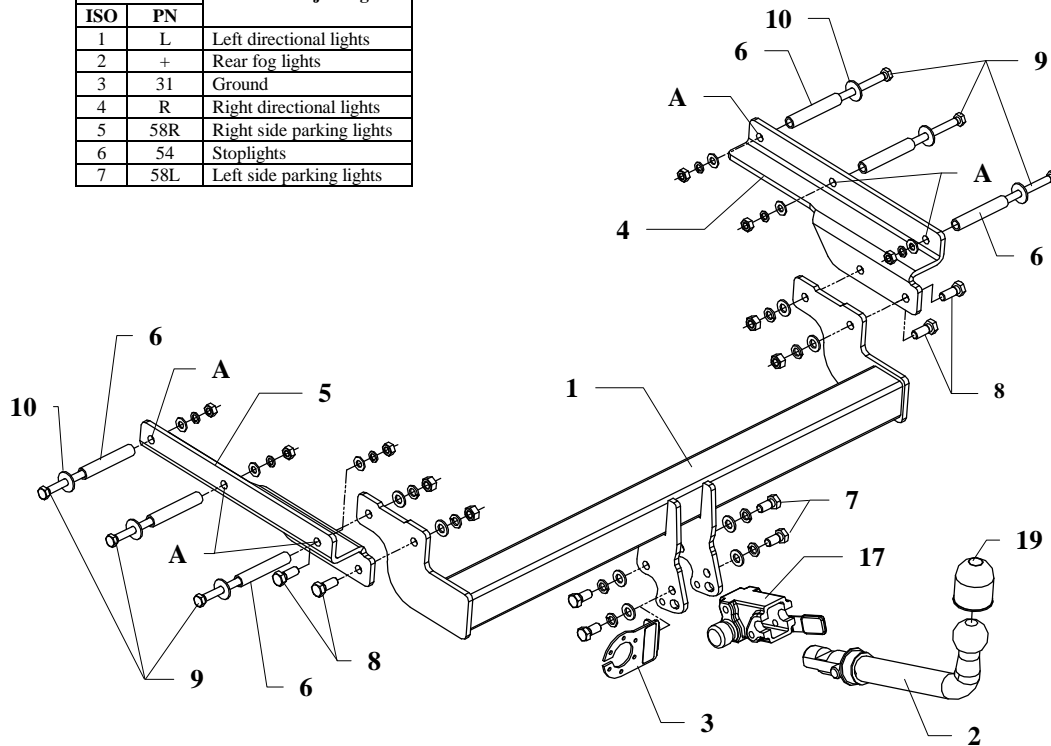


FITTING INSTRUCTION

| Clamp mark in acc. with | | Cables joining |
|-------------------------|-----|---------------------------|
| ISO | PN | |
| 1 | L | Left directional lights |
| 2 | + | Rear fog lights |
| 3 | 31 | Ground |
| 4 | R | Right directional lights |
| 5 | 58R | Right side parking lights |
| 6 | 54 | Stoptlights |
| 7 | 58L | Left side parking lights |



This towbar is designed to assembly in following cars:
FORD MONDEO ESTATE, produced since 1993 till 07.1996, catalogue no. **C14A** and is prepared to tow trailers max total weight **1800 kg** and max vertical load **75 kg**.

From manufacturer

Thank you for buying our product. Their reliability has been confirmed in many tests. Reliability of towbar depends also on correct assembly and right operation. For this reasons we kindly ask to read carefully this instruction and apply to hints.

The towbar should be install in points described by a car producer.

Fitting instructions

1. On the left and right put distance sleeves L=94mm (pos. 6) into original holes in chassis members.
2. Put side brackets (pos. 4 and 5) and fix it to chassis members through holes (pos. A) and to installed sleeves using bolts M10x130mm (pos. 9) from the towbar accessories.
3. Put main bar of the towbar (pos. 1) and fix it to mounted side brackets (pos. 4 and 5) with M12x30mm bolts (pos. 8) from the towbar accessories.
4. Fix body of the automat (pos. 17) and the socket plate (pos. 3) using bolts M12x25mm (pos. 7) from accessories. Place tow-ball (pos. 2) according to supplied instruction.
5. Fix tight all bolts according to the torque shown in the table.
6. Connect electric wires of 7-poles socket according to the instruction of the car. (Recommend to make at authorized service station)
7. Complete paint layer damaged during installation.

Torque settings for nuts and bolts (8,8):

| | | |
|---------------------|----------------------|---------------------|
| M6 - 11 Nm | M 8 - 25 Nm | M 10 - 50 Nm |
| M 12 - 87 Nm | M 14 - 138 Nm | M16 - 210 Nm |

NOTE

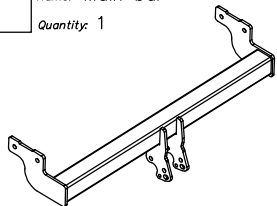
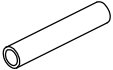

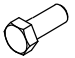

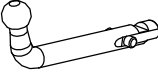


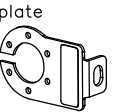
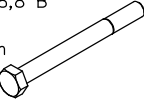

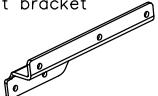

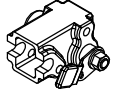
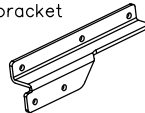

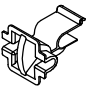

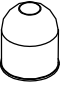
After mounting the towbar you should sign the car card at the Authorised Car Station.

The car should be equipment with:

- Indicators
- Tow mirrors

After 1000 km of exploitation check mounting bolts. The ball of towbar has to be kept in clear and conserve with a grease.

Towbar accessories:

| | | | | | |
|-----------|---|------------|--|------------|--|
| Pos. 1 | Name: Main bar Quantity: 1 | Pos. 6 | Name: Distance sleeve Quantity: 6 Dim.: $\varnothing 17.2 \times 2.35 \text{mm}$ L=94mm | Pos. 13 | Name: Spring washer Quantity: 8 Dim.: $\varnothing 12,2 \text{ mm}$ |
| |  | |  | |  |
| | | Pos. 7 | Name: Bolt 8,8 B Quantity: 4 Dim.: M12x25mm | Pos. 14 | Name: Spring washer Quantity: 6 Dim.: $\varnothing 10,2 \text{ mm}$ |
| | | |  | |  |
| Pos. 2 | Name: Tow ball Quantity: 1 | Pos. 8 | Name: Bolt 8,8 B Quantity: 4 Dim.: M12x30mm | Pos. 15 | Name: Nut 8 B Quantity: 4 Dim.: M12 |
| |  | |  | |  |
| Pos. 3 | Name: Socket plate Quantity: 1 | Pos. 9 | Name: Bolt 8,8 B Quantity: 6 Dim.: M10x130mm | Pos. 16 | Name: Nut 8 B Quantity: 6 Dim.: M10 |
| |  | |  | |  |
| Pos. 4 | Name: Right bracket Quantity: 1 | Pos. 10 | Name: Washer Quantity: 6 Dim.: $\varnothing 30 \times \varnothing 10,5 \times 2,5 \text{mm}$ | Pos. 17 | Name: Body of the automat Quantity: 1 |
| |  | |  | |  |
| Pos. 5 | Name: Left bracket Quantity: 1 | Pos. 11 | Name: Plain washer Quantity: 8 Dim.: $\varnothing 13 \text{ mm}$ | Pos. 18 | Name: Body plug Quantity: 1 |
| |  | |  | |  |
| | | Pos. 12 | Name: Plain washer Quantity: 6 Dim.: $\varnothing 10,5 \text{ mm}$ | Pos. 19 | Name: Ball cover Quantity: 1 |
| | | |  | |  |



PPUH AUTO-HAK S. J.

Produkcja Zaczepów Kulowych
Henryk & Zbigniew Nejman
76-200 SŁUPSK ul. Słoneczna 16K
tel/fax (059) 8-414-414; 8-414-413
E-mail: office@autohak.com.pl
www.autohak.com.pl

Towing hitch (without electrical set)

Class: **A50-X** Cat. no. **C14A**

Designed for:

Manufacturer: **FORD**

Model: **MONDEO**

Type: **ESTATE**

produced since 1993 till 07.1996

Technical data:

D-value: 9,18 kN

maximum trailer weight: **1800 kg**

maximum vertical cup load: **75 kg**

Approval number according to Directive 94/20/EC: e20*94/20*1172*00

Foreword

This towbar is designed according to rules of safety traffic regulations. The towing hitch is a safety component and must be installed only by qualified personnel. Any alteration or conversion to the towing hitch is prohibited and would lead to cancellation of design certification. Remove insulating compound and underseal from vehicle (if present) in the area of the matting surfaces of the towing hitch.

The vehicle manufacturer's specifications regarding trailer load and max. vertical cup load are decisive for driving, and values for the towing hitch cannot be exceeded.

D-value formula:

$$\frac{\text{Max trailer weight [kg]} \times \text{Max vehicle weight [kg]}}{\text{Max trailer weight [kg]} + \text{Max vehicle weight [kg]}} \times \frac{9,81}{1000} = D \text{ [kN]}$$