

## FITTING INSTRUCTION

Clamp mark in acc. with		Cables joining
ISO	PN	
1	L	Left directional lights
2	+	Rear fog lights
3	31	Ground
4	R	Right directional lights
5	58R	Right side parking lights
6	54	Stoplights
7	58L	Left side parking lights

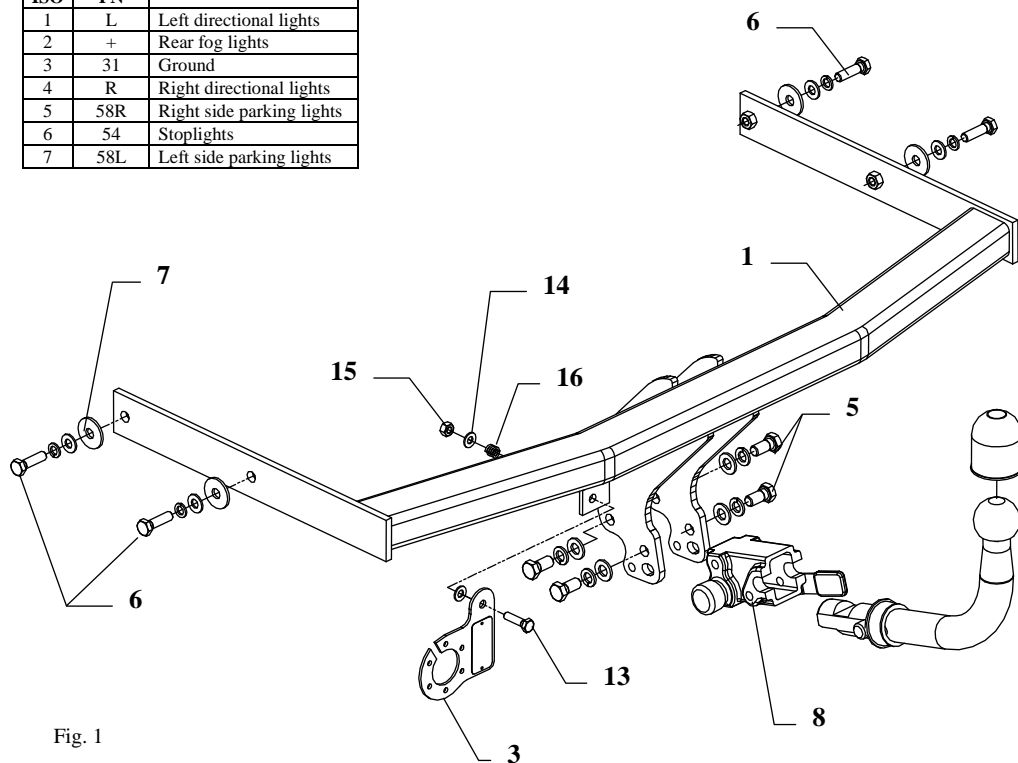


Fig. 1

This towbar is designed to assembly in following cars: **SKODA FABIA 5 doors**, produced since 1999 till 03.2007 and since 04.2007, catalogue no. **H10A** and is prepared to tow trailers max total weight **1200 kg** and max vertical load **50 kg**.

### *From manufacturer*

Thank you for buying our product. Their reliability has been confirmed in many tests. Reliability of towbar depends also on correct assembly and right operation. For this reasons we kindly ask to read carefully this instruction and apply to hints.

*The towing hitch should be installed in points described by a car producer.*

## The instruction of the assembly

1. Remove the rear bumper and a metal support of bumper (this metal part will not be used any more).
2. Find two holes at the bottom of the car next to a chassis under the conservation layer.
3. Slide the main bar of the hitch (pos. 1) into the chassis and then fix with M10x35mm (pos. 6) bolts with washers (pos. 7) from the towbar accessories.
4. Fix body of the automat (pos. 8) using bolts M12x25mm (pos. 5) from accessories. Place tow-ball (pos. 2) according to supplied instruction.
5. Fix socket plate (pos. 3) according to fig. 1.
6. Cut out the bumper according to fig. 2 and mount it to the car.
7. Tighten all nuts and bolts according the torque shown in the table.
8. Connect electric wires of 7-poles socket according to the instruction of the car. (Recommend to make at authorized service station).
9. Complete the paint cover of towbar (during the mounting paint cover could be destroyed).

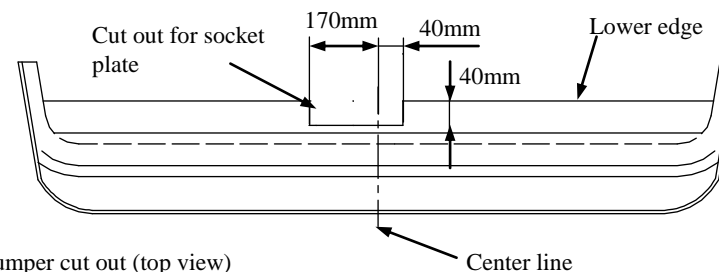


Fig. 2 Bumper cut out (top view)

Torque settings for nuts and bolts (8,8):

<b>M6</b> - 11 Nm	<b>M 8</b> - 25 Nm	<b>M 10</b> - 50 Nm
<b>M 12</b> - 87 Nm	<b>M 14</b> - 138 Nm	<b>M16</b> - 210 Nm

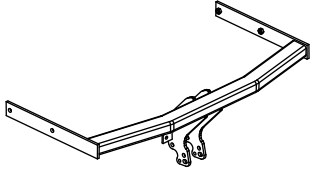
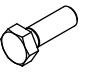


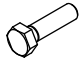
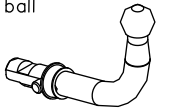
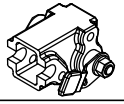







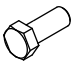

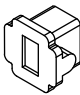
### NOTE

After installation of the towing hitch you should get adequate note in registration book (at authorised service station).The car should be equipped with:

- Indicators
- Tow mirrors

After 1000km of exploitation check all bolts and nuts. The ball of towing hitch must be always kept clear and conserve with a grease.

## Part list:

Pos. 1	Name: Main bar Quantity: 1 	Pos. 6	Name: Bolt 8,8 B Quantity: 4 Dim.: M10x35mm 	Pos. 12	Name: Spring washer Quantity: 4 Dim.: Ø 10,2 mm 
		Pos. 7	Name: Washer Quantity: 4 Dim.: Ø35xØ12x3mm 	Pos. 13	Name: Bolt 8,8 B Quantity: 1 Dim.: M8x30mm 
Pos. 2	Name: Tow ball Quantity: 1 	Pos. 8	Name: Body of the automat Quantity: 1 	Pos. 14	Name: Plain washer Quantity: 2 Dim.: Ø 8,5 mm 
Pos. 3	Name: Socket plate Quantity: 1 	Pos. 9	Name: Plain washer Quantity: 4 Dim.: Ø 13 mm 	Pos. 15	Name: Nut 8 B Quantity: 1 Dim.: M 8 
Pos. 4	Name: Ball cover Quantity: 1 	Pos. 10	Name: Plain washer Quantity: 4 Dim.: Ø 10,5 mm 	Pos. 16	Name: Spring Quantity: 1 
Pos. 5	Name: Bolt 8,8 B Quantity: 4 Dim.: M12x25mm 	Pos. 11	Name: Spring washer Quantity: 4 Dim.: Ø 12,2 mm 	Pos. 17	Name: Body plug Quantity: 1 



**PPUH AUTO-HAK Sp.J.**

Produkcja Zaczepów Kulowych  
Henryk & Zbigniew Nejman  
76-200 SŁUPSK ul. Słoneczna 16K  
tel/fax (059) 8-414-414; 8-414-413  
email: [office@autohak.com.pl](mailto:office@autohak.com.pl)  
[www.autohak.com.pl](http://www.autohak.com.pl)

## Towing hitch (without electrical set)

Class: **A50-X** Cat. no. **H10A**

Designed for:

Manufacturer: **SKODA**

Model: **FABIA**

Type: **5 doors**

produced since 1999 till 03.2007

and produced since 04.2007

Technical data:

**D-value: 7,0 kN**

maximum trailer weight: **1200 kg**

maximum vertical cup load: **50 kg**

**Approval number according to Directive 94/20/EC: e20\*94/20\*1134\*01**

## Foreword

This towing hitch is designed according to rules of safety traffic regulations. The towing hitch is a safety component and can be install only by qualified personnel. Any alteration or conversion of the towing hitch is prohibited and would lead to cancellation of design certification. Remove insulating compound and underseal from vehicle (if present) in the area of the matting surfaces of the towing hitch. The vehicle manufacturer's specifications regarding trailer load and max. vertical cup load are decisive for driving, and values for the towing hitch cannot be exceeded.

*D-value formula:*

$$\frac{\text{Max trailer weight [kg]} \times \text{Max vehicle weight [kg]}}{\text{Max trailer weight [kg]} + \text{Max vehicle weight [kg]}} \times \frac{9,81}{1000} = D \text{ [kN]}$$