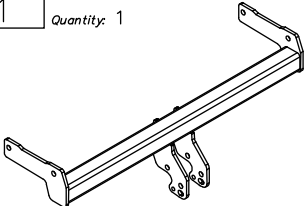
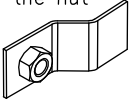

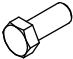

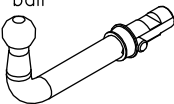
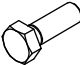

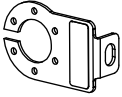
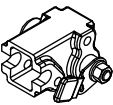
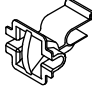
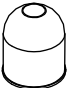



Towbar accessories:

Pos. 1 Name: Main bar Quantity: 1 	Pos. 5 Name: Jib with the nut Quantity: 4 	Pos. 10 Name: Plain washer Quantity: 4 Dim.: \varnothing 10,5 mm 
	Pos. 6 Name: Bolt 8,8 B Quantity: 4 Dim.: M12x25mm 	Pos. 11 Name: Spring washer Quantity: 4 Dim.: \varnothing 12,2 mm 
Pos. 2 Name: Tow ball Quantity: 1 	Pos. 7 Name: Bolt 8,8 B Quantity: 4 Dim.: M10x35mm 	Pos. 12 Name: Spring washer Quantity: 4 Dim.: \varnothing 10,2 mm 
Pos. 3 Name: Płyta gniazda Quantity: 1 	Pos. 8 Name: Body of the automat Quantity: 1 	Pos. 13 Name: Body plug Quantity: 1 
Pos. 4 Name: Ball cover Quantity: 1 	Pos. 9 Name: Plain washer Quantity: 4 Dim.: \varnothing 13 mm 	



PPUH AUTO-HAK Sp.J.

Produkcja Zaczepów Kulowych
Henryk & Zbigniew Nejman
76-200 SŁUPSK ul. Słoneczna 16K
tel/fax (059) 8-414-414; 8-414-413
e-mail: office@autohak.com.pl
www.autohak.com.pl

Towing hitch (without electrical set)

Class: **A50-X** Cat. no. **H11A**

Designed for:

**SKODA FELICIA PICK-UP and
VOLKSWAGEN CADDY PICK-UP**

both produced since 1996

Technical data:

D-value: 6,5 kN

maximum trailer weight: **1000 kg**

maximum vertical cup load: **50 kg**

Approval number according to Directive 94/20/EC: e20*94/20*0631*00

Foreword

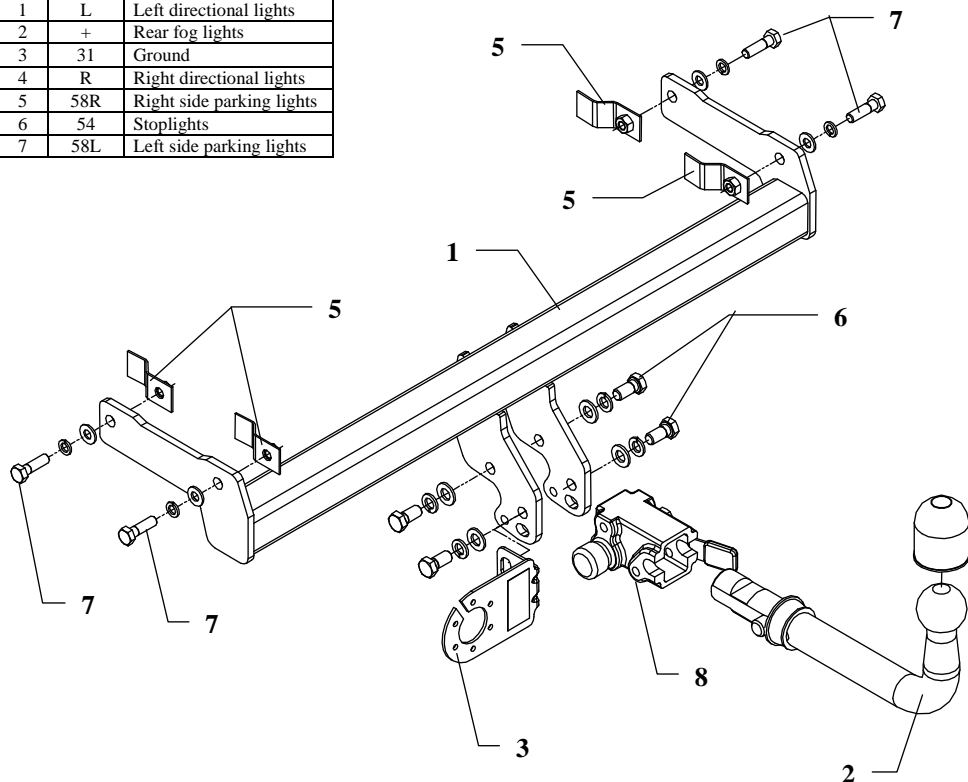
This towbar is designed according to rules of safety traffic regulations. The towing hitch is a safety component and can be install only by qualified personnel. Any alteration or conversion of the towing hitch is prohibited and would lead to cancellation of design certification. Remove insulating compound and underseal from vehicle (if present) in the area of the matting surfaces of the towing hitch. The vehicle manufacturer's specifications regarding trailer load and max. vertical cup load are decisive for driving, and values for the towing hitch cannot be exceeded.

D-value formula:

$$\frac{\text{Max trailer weight [kg]} \times \text{Max vehicle weight [kg]}}{\text{Max trailer weight [kg]} + \text{Max vehicle weight [kg]}} \times \frac{9,81}{1000} = D \text{ [kN]}$$

FITTING INSTRUCTION

Clamp mark in acc. with		Cables joining
ISO	PN	
1	L	Left directional lights
2	+	Rear fog lights
3	31	Ground
4	R	Right directional lights
5	58R	Right side parking lights
6	54	Stoplights
7	58L	Left side parking lights



This towbar is designed to assembly in following cars: **SKODA FELICIA PICK-UP and VOLKSWAGEN CADDY PICK-UP**, both produced since 1996, catalogue no. **H11A** and is prepared to tow trailers max total weight **1000 kg** and max vertical mass **50 kg**.

From manufacturer

Thank you for buying our product. Their reliability has been confirmed in many tests. Reliability of towbar depends also on correct assembly and right operation. For this reasons we kindly ask to read carefully this instruction and apply to hints.

The towbar should be install in points described by a car producer.

The instruction of the assembly

1. From bottom of the car position the main bar of the towbar (pos. 1) to the chassis members and fix it through the original two holes (per side) using bolts M10x35mm – pos. 7 (Jibs with the nut put through the ellipse holes in the chassis members from bottom of the chassis members).
2. To so prepared car fix body of the automat (pos. 8) and the socket plate (pos. 3) using bolts M12x25mm (pos. 6) from accessories. Place tow-ball (pos. 2) according to supplied instruction.
3. Tighten all nuts and bolts according to the torque shown in the table.
4. Connect electric wires of 7-poles socket according to the instruction of the car. (Recommend to make at authorized service station).
5. Complete the paint cover of towbar (during the mounting paint cover could be destroyed).

Torque settings for nuts and bolts (8,8):

M6 - 11 Nm	M 8 - 25 Nm	M 10 - 50 Nm
M 12 - 87 Nm	M 14 - 138 Nm	M16 - 210 Nm

NOTE

After install the towbar you should get adequate note in registration book (at authorised service station).The car should be equipped with:

- Indicators
- Tow mirrors

After 1000km of exploitation check all bolts and nuts. The ball of towbar must be always kept clear and conserve with a grease.