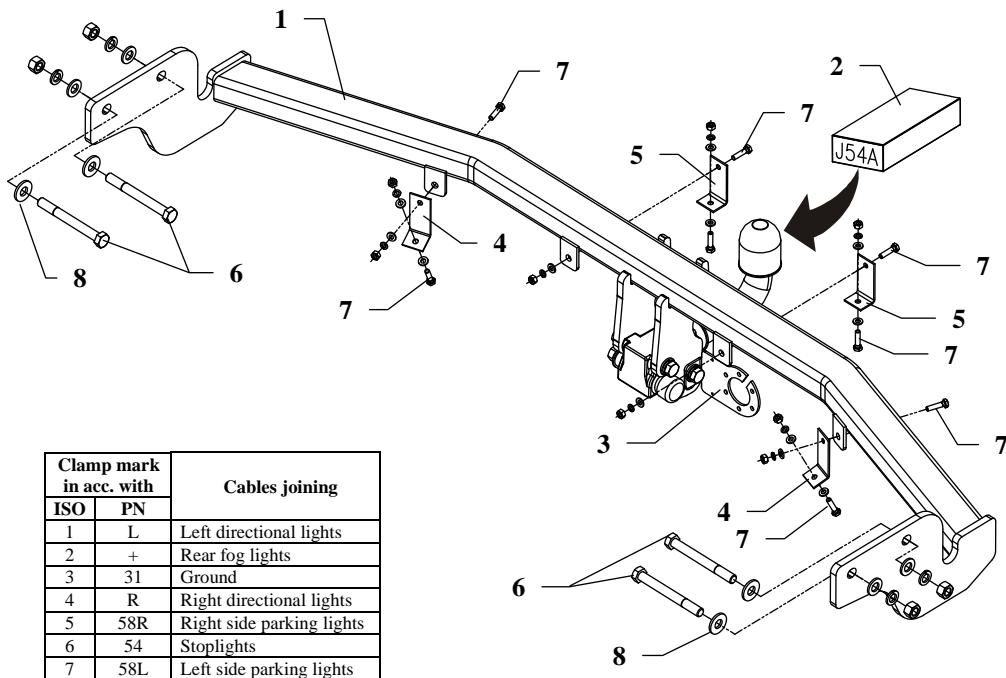


FITTING INSTRUCTION



Clamp mark in acc. with		Cables joining
ISO	PN	
1	L	Left directional lights
2	+	Rear fog lights
3	31	Ground
4	R	Right directional lights
5	58R	Right side parking lights
6	54	Stoptlights
7	58L	Left side parking lights

This towing hitch is designed to assembly in following cars:
HYUNDAI SANTA FE, produced since 03.2006 till 08.2012, catalogue no. **J54A** and is prepared to tow trailers max total weight **2700 kg** and max vertical load **100 kg**.

From manufacturer

Thank you for buying our product. Their reliability has been confirmed in many tests. Reliability of towing hitch depends also on correct assembly and right operation. For this reasons we kindly ask to read carefully this instruction and apply to hints.

The towing hitch should be install in points described by a car producer.

The instruction of the assembly

1. Unscrew the bumper along with the metal-reinforcement and foam fulfilment (the metal-reinforcement and the fulfilment will not be assembled again).
2. Lower mufflers from rear handles.
3. Unscrew thermal shields.
4. Apply the main bar of the towing hitch (pos. 1) to chassis members in that way so holes in the main bar be covered with holes in the frame, then fix using bolts M12x110mm (pos. 6). Use large washers (pos. 8).
5. Install thermal shield and hang up mufflers.
6. Cut out fragment of the bumper (as shown in the fig. 2), then install the bumper. Use handles (pos. 4 and 5) from the towing hitch accessories (see fig. 1).

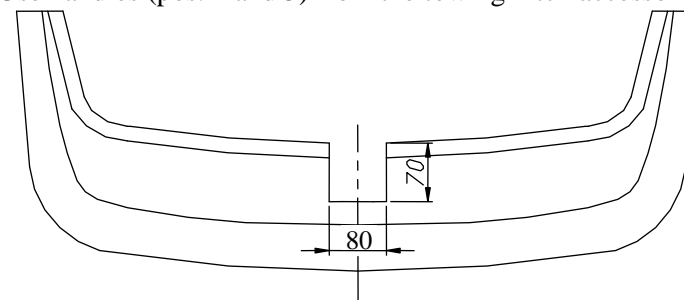


Fig. 2

7. Fix body of the automat and place tow-ball according to supplied instruction. Note! Remember to place socket plate (pos. 3) as shown on the drawing 1.
8. Tighten all bolts according to the torque shown in the table.
9. Connect electric wires of 7-poles socket according to the instruction of the car. (Recommend to make at authorized service station).
10. Complete paint layer damaged during installation.

Torque settings for nuts and bolts (8,8):

M6 - 11 Nm	M8 - 25 Nm	M10 - 50 Nm
M12 - 87 Nm	M14 - 138 Nm	M16 - 210 Nm

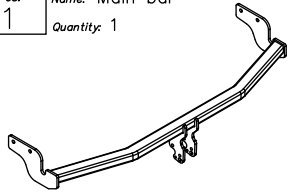
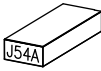
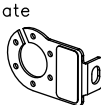


NOTE

After install the towing hitch you should get adequate note in registration book (at authorised service station).The car should be equipped with:

- Indicators
- Tow mirrors

After 1000km of exploitation check all bolts and nuts. The ball of towing hitch must be always kept clear and conserve with a grease.

Towing hitch accessories:

Pos. 1 Name: Main bar Quantity: 1	Pos. 5 Name: Handle II Quantity: 2	Pos. 10 Name: Nut 8 B Quantity: 8 Dim.: M6
	Pos. 6 Name: Bolt 8,8 B Quantity: 4 Dim.: M12x110mm	Pos. 11 Name: Plain washer Quantity: 8 Dim.: Ø 13 mm
Pos. 2 Name: Tow ball Quantity: 1	Pos. 7 Name: Bolt 8,8 B Quantity: 8 Dim.: M6x25mm	Pos. 12 Name: Plain washer Quantity: 12 Dim.: Ø 6,4 mm
	Pos. 8 Name: Washer Quantity: 4 Dim.: Ø29xØ13x3mm	Pos. 13 Name: Spring washer Quantity: 4 Dim.: Ø 12,2 mm
Pos. 3 Name: Socket plate Quantity: 1	Pos. 9 Name: Nut 8 B Quantity: 4 Dim.: M12	Pos. 14 Name: Spring washer Quantity: 8 Dim.: Ø 6,1 mm
	Pos. 4 Name: Handle I Quantity: 2	
		



PPUH AUTO-HAK Sp.J.

Produkcja Zaczepów Kulowych
Henryk & Zbigniew Nejman
76-200 SŁUPSK ul. Słoneczna 16K
tel/fax (059) 8-414-414; 8-414-413
E-mail: office@autohak.com.pl
www.autohak.com.pl

Towing hitch (without electrical set)

Class: **A50-X** Cat. no. **J54A**

Designed for:

Manufacturer: **HYUNDAI**

Model: **SANTA FE**

produced since 03.2006 till 08.2012

Technical data:

D-value: 13,6 kN

maximum trailer weight: **2700 kg**

maximum vertical cup load: **100 kg**

Approval number according to Directive 94/20/EC: **e20*94/20*0121*00**

Foreword

This towing hitch is designed according to rules of safety traffic regulations. The towing hitch is a safety component and can be install only by qualified personnel. Any alteration or conversion of the towing hitch is prohibited and would lead to cancellation of design certification. Remove insulating compound and underseal from vehicle (if present) in the area of the matting surfaces of the towing hitch.

The vehicle manufacturer's specifications regarding trailer load and max. vertical cup load are decisive for driving whereat values for the towing hitch cannot be exceeded.

D-value formula:

$$\frac{\text{Max trailer weight [kg]} \times \text{Max vehicle weight [kg]}}{\text{Max trailer weight [kg]} + \text{Max vehicle weight [kg]}} \times \frac{9,81}{1000} = D \text{ [kN]}$$