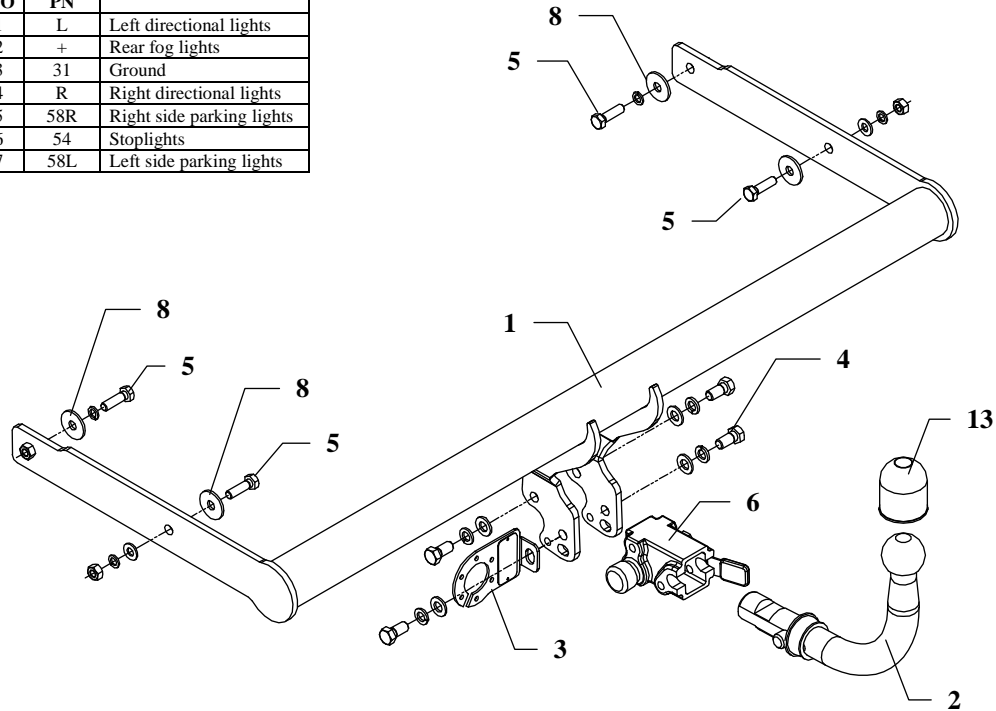


FITTING INSTRUCTION

Clamp mark in acc. with		Cables joining
ISO	PN	
1	L	Left directional lights
2	+	Rear fog lights
3	31	Ground
4	R	Right directional lights
5	58R	Right side parking lights
6	54	Stoplights
7	58L	Left side parking lights



The towbar can be used in the following car:
VOLKSWAGEN GOLF III ESTATE, produced since 1993 till 1998,
 catalogue number **K16A** and is prepared to tow trailers max total weight
1500 kg and max vertical load **75 kg**.

From manufacturer

Thank you for buying our product. Their reliability has been confirmed in many tests. Reliability of towbar depends also on correct assembly and right operation. For this reasons we kindly ask to read carefully this instruction and apply to hints.

The towbar should be install in points described by a car producer.

The instruction of the assembly

1. Disassemble the bumper and then unscrew the metal fabric covers of chassis members (they not use any more).
2. Under the conservation layer, beside chassis members find fabric holes (two per each side).
3. To chassis members tunnels slide the bar of towbar (pos. 1), and then fix it using bolts M10x35mm (pos. 5) with big washers (pos. 8).
4. Cut the bottom part of the bumper, dimension 80x50mm.
5. Fix body of the automat (pos. 6) and the socket plate (pos. 3) using bolts M12x25mm (pos. 4) from accessories. Place tow-ball (pos. 2) according to supplied instruction.
6. Reassemble the bumper.
7. Screw tight all bolts according to the torque shown in the table.
8. Connect the electric wires according to the instructions of the car.
9. Complete the paint cover of towbar (during assembly paint cover could be damaged).

Torque settings for nuts and bolts (8,8):

M6 - 11 Nm	M8 - 25 Nm	M10 - 50 Nm
M12 - 87 Nm	M14 - 138 Nm	M16 - 210 Nm

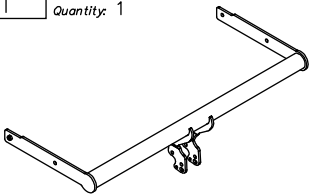
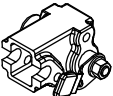

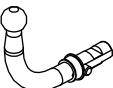
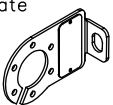


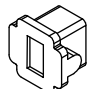
NOTE

After install the towbar you should get adequate note in registration book (at authorised service station). The car should be equipped with:

- Indicators
- Tow mirrors

After 1000km of exploitation check all bolts and nuts. The ball of towbar must be always kept clear and conserve with a grease.

Towbar accessories:

Pos. 1	Name: Main bar Quantity: 1	Pos. 5	Name: Bolt 8,8 B Quantity: 4 Dim.: M10x35mm	Pos. 10	Name: Plain washer Quantity: 2 Dim.: Ø 10,5 mm
		Pos. 6	Name: Body of the automat Quantity: 1	Pos. 11	Name: Spring washer Quantity: 4 Dim.: Ø 12,2 mm
				Pos. 7	Name: Nut 8 B Quantity: 2 Dim.: M10
Pos. 2	Name: Tow ball Quantity: 1				
		Pos. 8	Name: Washer Quantity: 4 Dim.: Ø36xØ12x3mm		
				Pos. 9	Name: Plain washer Quantity: 4 Dim.: Ø 13 mm
Pos. 4	Name: Bolt 8,8 B Quantity: 4 Dim.: M12x25mm				
					



PPUH AUTO-HAK Sp.J.

Produkcja Zaczepów Kulowych
Henryk & Zbigniew Nejman
76-200 SŁUPSK ul. Słoneczna 16K
tel/fax (059) 8-414-414; 8-414-413
E-mail: office@autohak.com.pl
www.autohak.com.pl

Towing hitch (without electrical set)

Class: **A50-X** Cat. no. **K16A**

Designed for:

Manufacturer: **VOLKSWAGEN**

Model: **GOLF III**

Type: **ESTATE**

produced since 1993 till 1998

Technical data:

D-value: 7,8 kN

maximum trailer weight: **1500 kg**

maximum vertical cup load: **75 kg**

Approval number according to Directive 94/20/EC: **e20*94/20*1157*00**

Foreword

This towbar is designed according to rules of safety traffic regulations. The towing hitch is a safety component and can be install only by qualified personnel. Any alteration or conversion of the towing hitch is prohibited and would lead to cancellation of design certification. Remove insulating compound and underseal from vehicle (if present) in the area of the matting surfaces of the towing hitch.

The vehicle manufacturer's specifications regarding trailer load and max. vertical cup load are decisive for driving, and values for the towing hitch cannot be exceeded.

D-value formula:

$$\frac{\text{Max trailer weight [kg]} \times \text{Max vehicle weight [kg]}}{\text{Max trailer weight [kg]} + \text{Max vehicle weight [kg]}} \times \frac{9,81}{1000} = D \text{ [kN]}$$