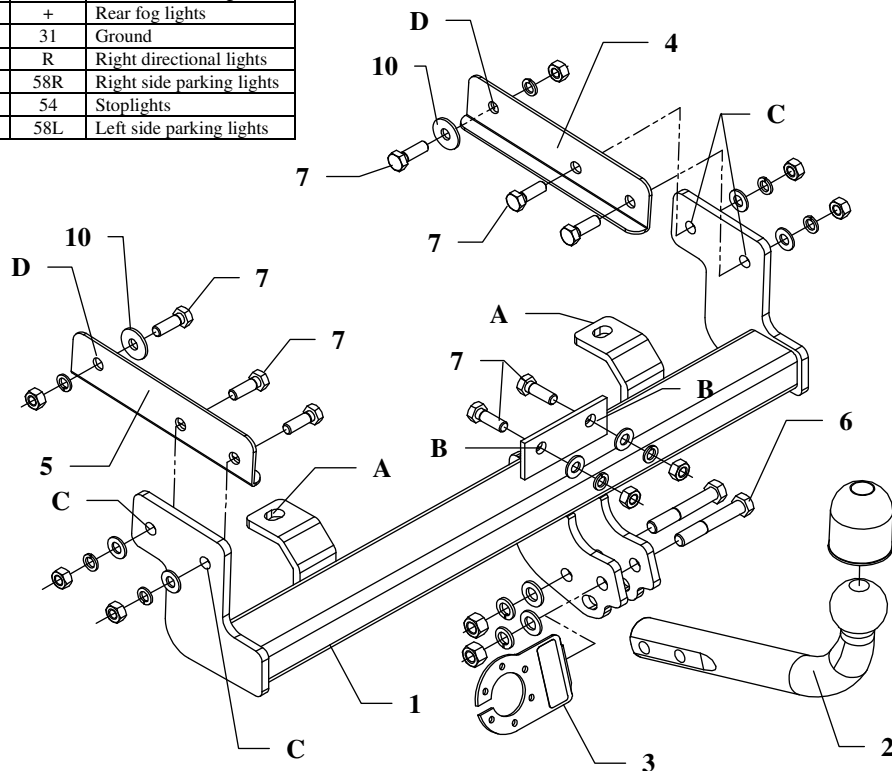


FITTING INSTRUCTION

Clamp mark in acc. with		Cables joining
ISO	PN	
1	L	Left directional lights
2	+	Rear fog lights
3	31	Ground
4	R	Right directional lights
5	58R	Right side parking lights
6	54	Stoplights
7	58L	Left side parking lights



This towbar is designed to assembly in following cars: **POLONEZ CARO PLUS and ATU PLUS also ESTATE versions**, produced since 1997, catalogue number **S11** and is prepared to tow trailers max total weight **1000 kg** and max vertical load **50 kg**.

From manufacturer

Thank you for buying our product. Their reliability has been confirmed in many tests. Reliability of towbar depends also on correct assembly and right operation. For this reasons we kindly ask to read carefully this instruction and apply to hints.

The towbar should be install in points described by a car producer.

The instruction of the assembly

1. Disassemble original tow eye. Secure fuel tank against come down. Twist off bands fastening fuel tank and make them down.
2. Put main bar of towbar (pos. 1) to protruding bolts (through holes pos. A) next through unscrewed bands and fix all.
3. Fix main bar of the towbar (pos. 1) using bolts M10x30mm (pos. 7) through holes pos. B with existing holes in rear panel of the car.
4. Drill side chamber of spare wheel using bit $\varnothing 11\text{mm}$. You will need angle driller. When You haven't it, use sharp punch to make points through holes (pos. C). Marked points drill next using bit $\varnothing 11\text{mm}$.
5. Put fish-plates (pos. 4 and 5) to chamber of spare wheel and through holes (pos. C) fix all using bolts M10x30mm (pos. 7).
6. Through rest of holes (pos. D) of fish-plates (pos. 4 and 5) drill holes to chamber of spare wheel (bit $\varnothing 11\text{mm}$) and fix using bolts M10x30mm (pos. 7) and big washers (pos. 10).
7. Fix tow-ball (pos. 2) and socket plate (pos. 3) using bolts M12x75mm (pos. 6) from equipment.
8. Tighten all bolts according to the torque shown in the table.
9. Connect electric wires of 7-bolts socket according to the instruction of the car. (Recommend to make at authorized service station).
10. Complete the paint coating damaged during instalment.

Torque settings for nuts and bolts (8,8):	
M 8 - 25 Nm	M 10 - 55 Nm
M 12 - 85 Nm	M 14 - 135 Nm

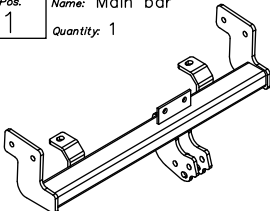
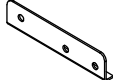


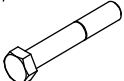

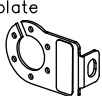
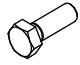







NOTE

After install the towbar you should get adequate note in registration book (at authorised service station).The car should be equipped with:

- Indicators
- Tow mirrors

After 1000km check all bolts. The ball of towbar must be always kept clear and conserve with a grease.

Towbar equipment:

Pos. 1	Name: Main bar Quantity: 1	Pos. 5	Name: Left fish-plate Quantity: 1	Pos. 10	Name: Washer Quantity: 2 Dim.: $\phi 30 \times \phi 10,5 \times 2,5 \text{ mm}$
					
Pos. 2	Name: Tow ball Quantity: 1	Pos. 6	Name: Bolt 8,8 B Quantity: 2 Dim.: M12x75mm	Pos. 11	Name: Plain washer Quantity: 2 Dim.: $\phi 13 \text{ mm}$
					
Pos. 3	Name: Socket plate Quantity: 1	Pos. 7	Name: Bolt 8,8 B Quantity: 8 Dim.: M10x30mm	Pos. 12	Name: Plain washer Quantity: 6 Dim.: $\phi 10,5 \text{ mm}$
					
Pos. 4	Name: Right fish-plate Quantity: 1	Pos. 8	Name: Nut 8 B Quantity: 2 Dim.: M12	Pos. 13	Name: Spring washer Quantity: 2 Dim.: $\phi 12,2 \text{ mm}$
					
		Pos. 9	Name: Nut 8 B Quantity: 8 Dim.: M10	Pos. 14	Name: Spring washer Quantity: 8 Dim.: $\phi 10,2 \text{ mm}$
					
		Pos. 15	Name: Ball cover Quantity: 1		



PPUH AUTO-HAK S.J.

Produkcja Haków Holowniczych
Henryk & Zbigniew Nejman
76-200 SŁUPSK ul. Słoneczna 16K
tel/fax (059) 8-414-414; 8-414-413
E-mail: office@autohak.com.pl
www.autohak.com.pl

Towing hitch (without electrical set)

Class: **A50-X** Cat. no. **S11**

Designed for:

Manufacturer: **DAEWOO**

Model: **POLONEZ CARO PLUS** and

ATU PLUS

also **ESTATE** versions

produced since 1997

Technical data:

D-value: 6,0 kN

maximum trailer weight: **1000 kg**

maximum vertical cup load: **50 kg**

Approval number acc. to regulations EKG/ONZ 55.01: E20-55R-01 1109

Foreword

This towbar is designed according to rules of safety traffic regulations. The towing hitch is a safety component and can be install only by qualified personnel. Any alteration or conversion of the towing hitch is prohibited and would lead to cancellation of design certification. Remove insulating compound and underseal from vehicle (if present) in the area of the matting surfaces of the towing hitch.

The vehicle manufacturer's specifications regarding trailer load and max. vertical cup load are decisive for driving whereat values for the towing hitch cannot be exceeded.

D-value formula:

$$\frac{\text{Max trailer weight [kg]} \times \text{Max vehicle weight [kg]}}{\text{Max trailer weight [kg]} + \text{Max vehicle weight [kg]}} \times \frac{9,81}{1000} = D \text{ [kN]}$$