

INSTALLATION INSTRUCTIONS

SMALL PICKUP MULTI-FIT

Product No.

37152

37136

SMALL PARTS
PACKAGE 37620

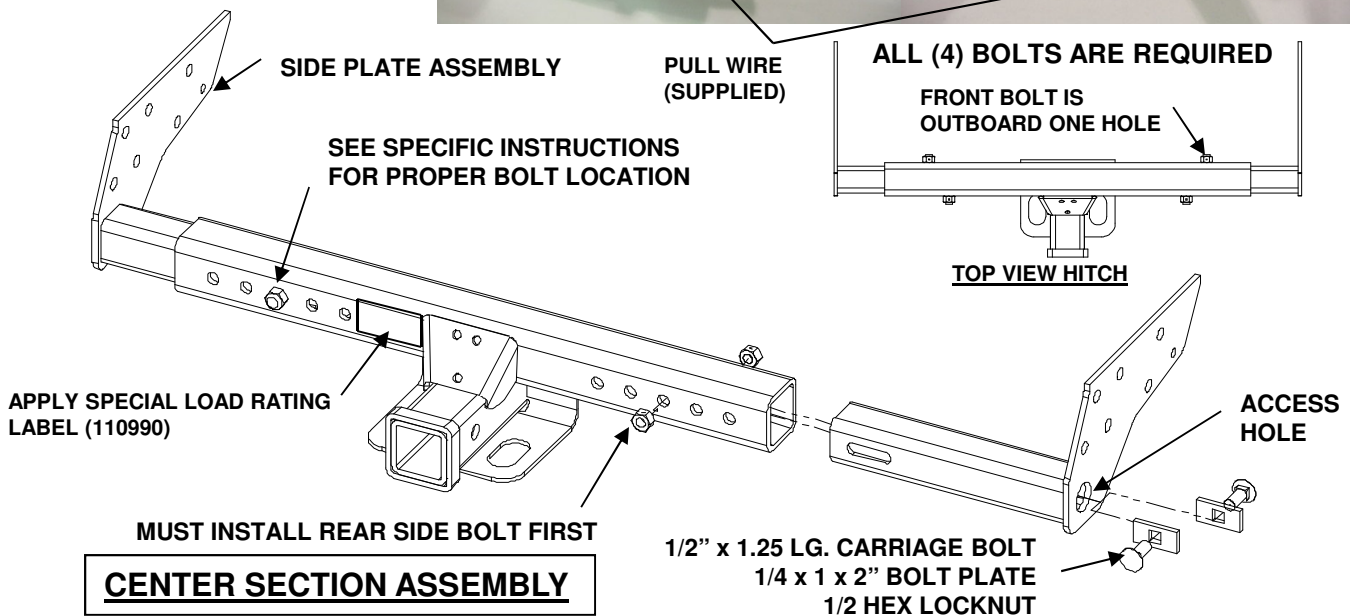
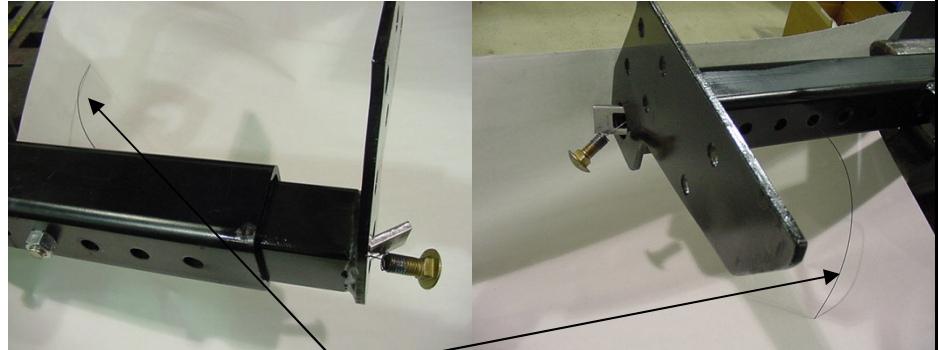
Cequent Products

WARNING: DO NOT LUBRICATE THREADS, BOLT FAILURE MAY OCCUR DUE TO OVER TIGHTENING.
WARNING: DO NOT DRILL OR WELD TO THIS HITCH.

IMPORTANT NOTES
USE ONLY REESE SUPPLIED OR APPROVED BOLTS, LOCKNUTS, AND WASHERS TO INSTALL THIS HITCH

TOOLS REQUIRED

3/4" SOCKET & WRENCH
11/16" SOCKET & WRENCH
9/16" SOCKET & WRENCH
15MM, 17MM SOCKET
18MM, 19MM SOCKET
21MM, 22MM SOCKET
TORQUE WRENCH
SAFETY GLASSES
TORX T50 WRENCH



GENERAL INSTRUCTIONS:

1. Insert side plate assemblies into hitch center section. Refer to specific instructions for proper bolt location. Insert the coiled end of fishwire through proper hole on rear side of center section and through access hole in plate. Attach 1/4" bolt plate and 1/2 x 1-1/4 lg. carriage bolt as shown above. Pull fasteners through and loosely install 1/2 hex lock nut. Repeat steps for each fastener. The spare tire may need to be lowered to install the hitch center section. It will be replaced later.
2. Refer to the application chart to determine the correct installation for your vehicle. (Last page of each language)

FOR ALL INSTALLATIONS:

1. Torque all 3/8" nuts to 35 lb.ft.
2. Torque all 12mm nuts & bolts to 65 lb.ft.
3. Torque all 7/16" hardware to 50 lb.ft.
4. Torque all 1/2" hardware to 75 lb.ft.
5. Torque all 10mm CL10.9 hardware to 53 lb.ft.
6. Torque all 10mm Torx hardware to 60 lb.ft.
7. Torque all 5/8" hardware to 100 lb.ft.
8. Retighten the spare tire if it was loosened.

NOTE: Not all of the hardware will be used in every installation. Paint any bare metal to prevent rust.

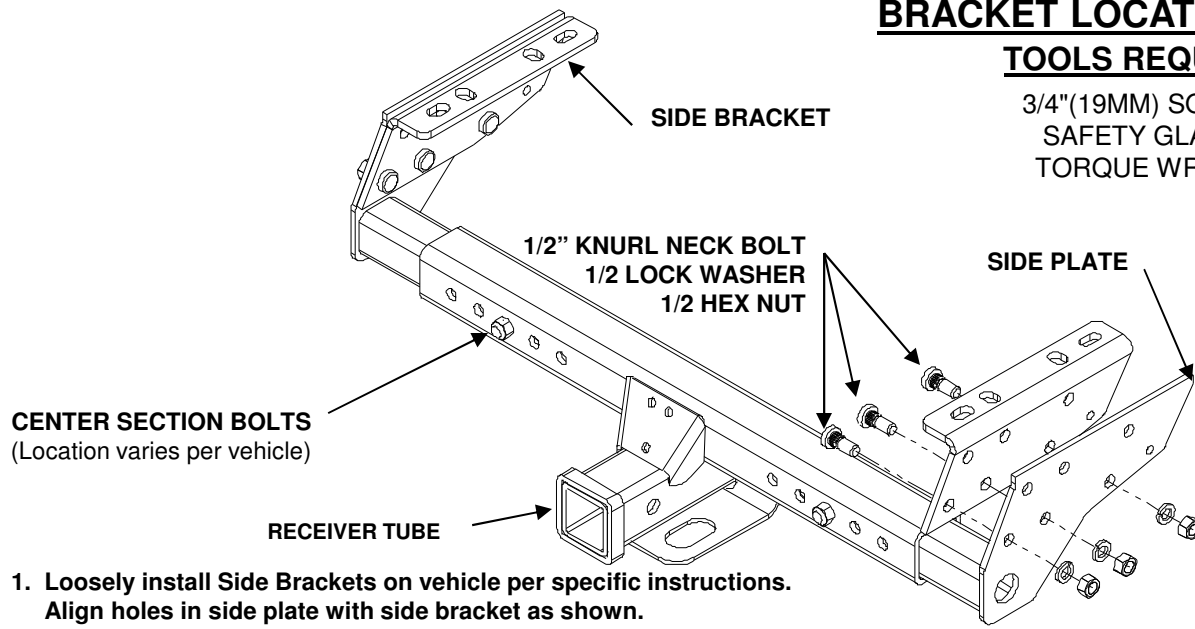
For Installation Assistance or Technical Help, See our Web Site at

www.cequentgroup.com or call 1-800-234-6992

BRACKET LOCATIONS

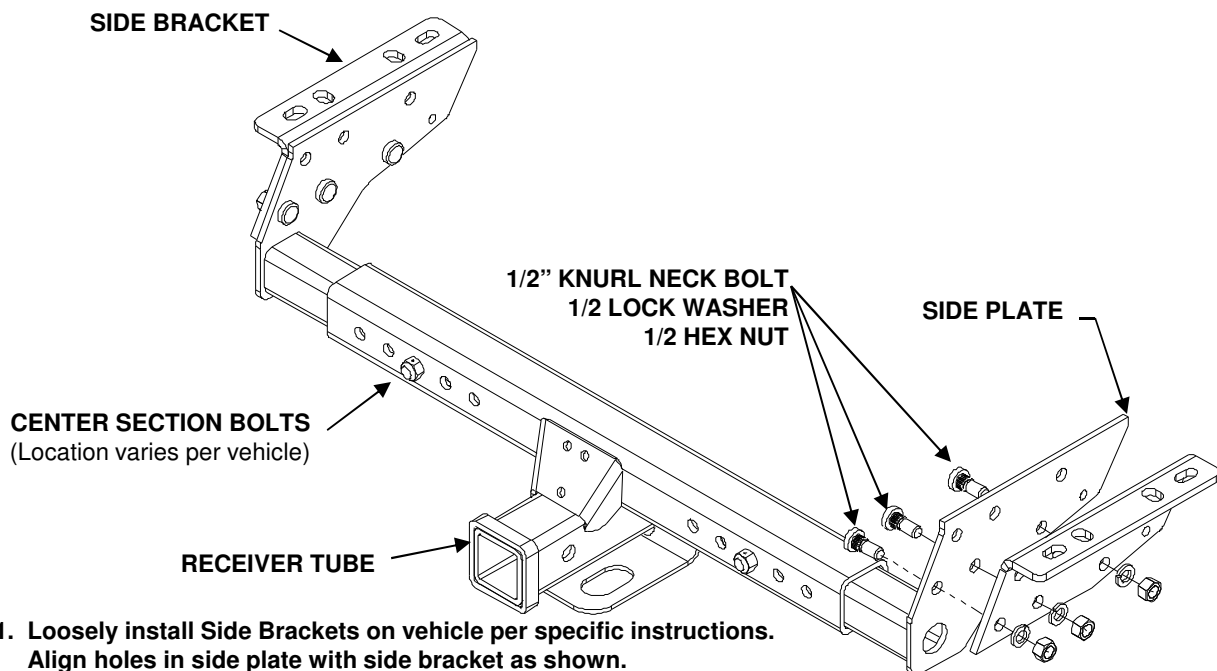
TOOLS REQUIRED

3/4"(19MM) SOCKET
SAFETY GLASSES
TORQUE WRENCH



1. Loosely install Side Brackets on vehicle per specific instructions. Align holes in side plate with side bracket as shown.
2. Install the 1/2" Knurl neck bolts, 1/2 lock washers, and 1/2 hex nuts.
3. First - Tighten Knurl neck bolts to 90 FT-LB to seat bolt, then loosen and retighten to 75 FT-LB
4. Second - Tighten Side Bracket fasteners to proper specifications. (Refer to general instructions on Page 1. for specs.)
5. Center receiver tube on vehicle and tighten center section fasteners to 75 LB-FT.

SIDE BRACKET LOCATION 1.



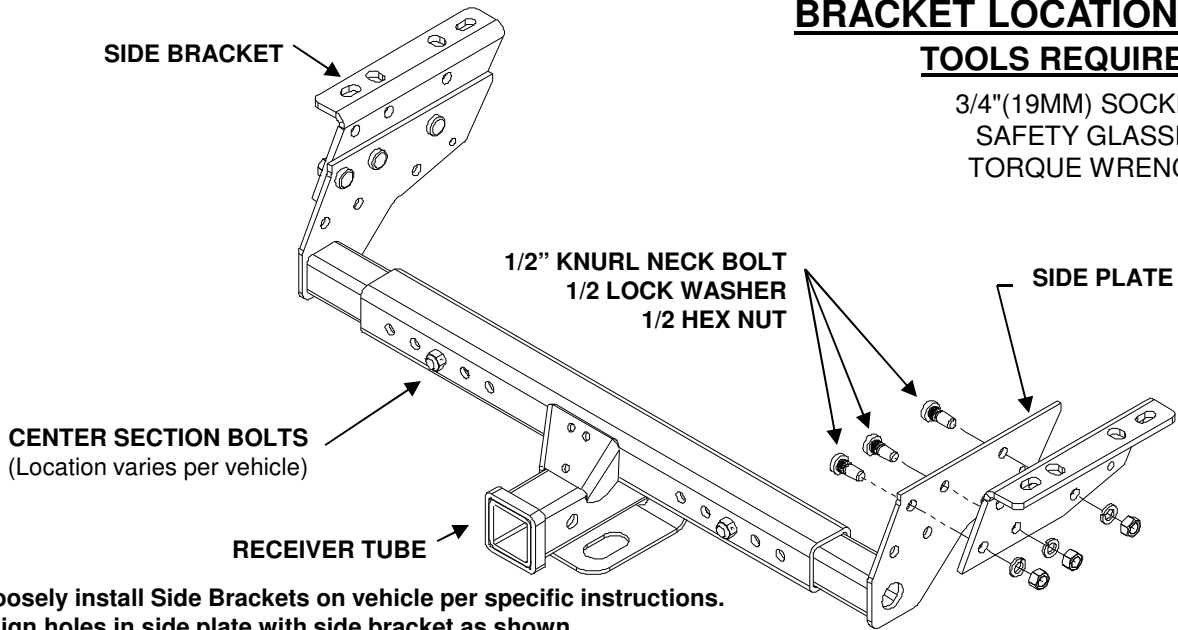
1. Loosely install Side Brackets on vehicle per specific instructions. Align holes in side plate with side bracket as shown.
2. Install the 1/2" Knurl neck bolts, 1/2 lock washers, and 1/2 hex nuts.
3. First - Tighten Knurl neck bolts to 90 FT-LB to seat bolt, then loosen and retighten to 75 FT-LB
4. Second - Tighten Side Bracket fasteners to proper specifications. (Refer to general instructions on Page 1. for specs.)
5. Center receiver tube on vehicle and tighten center section fasteners to 75 LB-FT.

SIDE BRACKET LOCATION 2.

BRACKET LOCATIONS

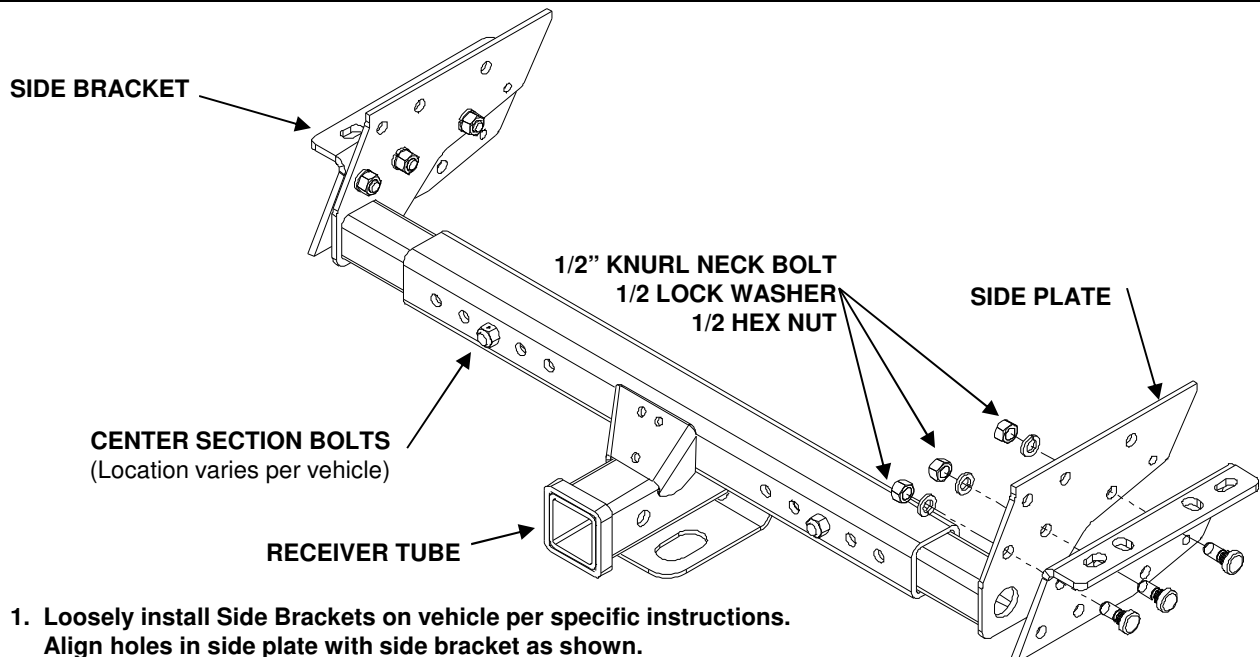
TOOLS REQUIRED

3/4"(19MM) SOCKET
SAFETY GLASSES
TORQUE WRENCH



1. Loosely install Side Brackets on vehicle per specific instructions. Align holes in side plate with side bracket as shown.
2. Install the 1/2" Knurl neck bolts, 1/2 lock washers, and 1/2 hex nuts as shown.
3. First - Tighten Knurl neck bolts to 90 FT-LB to seat bolt, then loosen and retighten to 75 FT-LB
4. Second - Tighten Side Bracket fasteners to proper specifications. (Refer to general instructions on Page 1. for specs.)
5. Center receiver tube on vehicle and tighten center section fasteners to 75 LB-FT.

SIDE BRACKET LOCATION 3.



1. Loosely install Side Brackets on vehicle per specific instructions. Align holes in side plate with side bracket as shown.
2. Install the 1/2" Knurl neck bolts, 1/2 lock washers, and 1/2 hex nuts.
3. First - Tighten Knurl neck bolts to 90 FT-LB to seat bolt, then loosen and retighten to 75 FT-LB
4. Second - Tighten Side Bracket fasteners to proper specifications. (Refer to general instructions on Page 1. for specs.)
5. Center receiver tube on vehicle and tighten center section fasteners to 75 LB-FT.

SIDE BRACKET LOCATION 4.

INSTALLATION A

TOOLS REQUIRED

3/4"(19MM) SOCKET 1/2" DRILL
TORQUE WRENCH SAFETY GLASSES

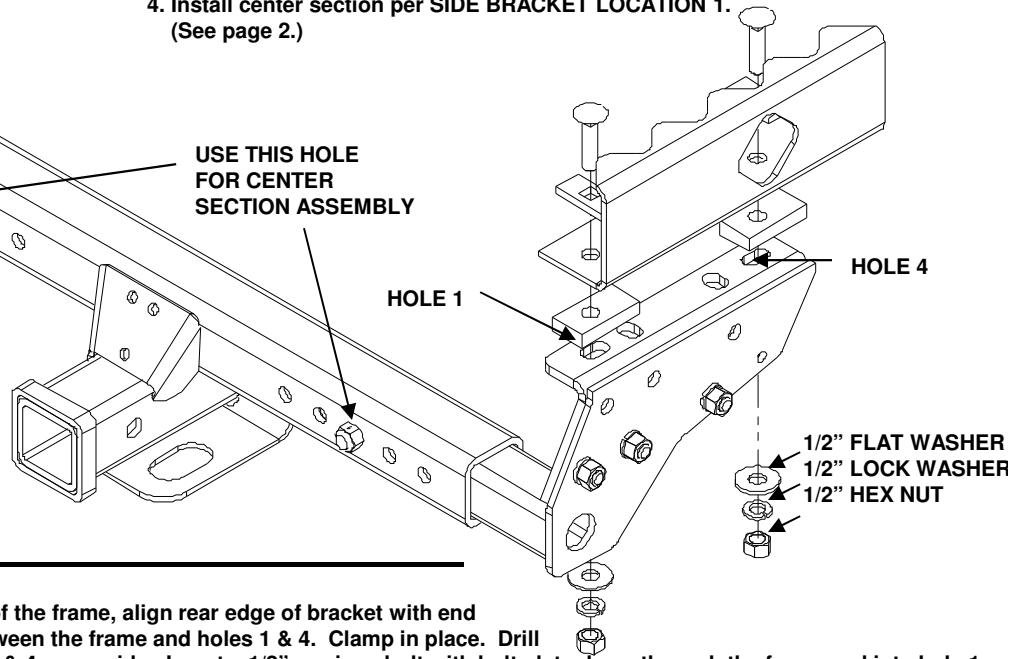
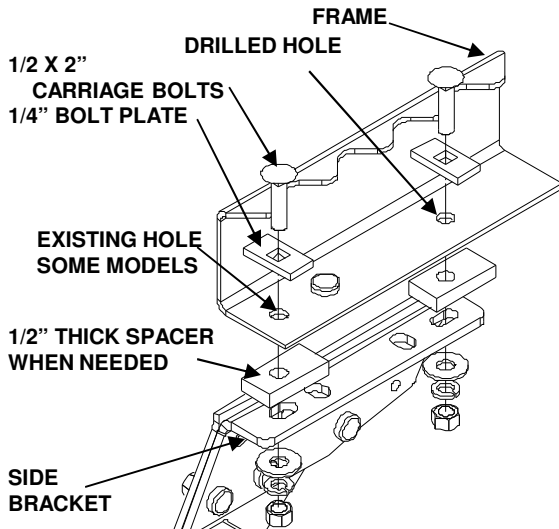
84-95 CARAVAN / VOYAGER / TOWN & COUNTRY:

1. Install 1/2" carriage bolts with bolt plates into the existing holes in the bottom of the frame, using the large access hole in the bottom of the frame. Hold the side brackets up to the frame, inserting the bolts into holes 1 & 4.
2. If the van is older than 1989, hole 4 will need to be drilled. After drilling hole 4, remove the bracket. Screw a carriage bolt onto the pull wire. Place a bolt plate over the bolt. Insert the free end of the pull wire into the access hole in the frame. Bring it out through the hole that was just drilled. Pull the bolt down through the hole. Unscrew the wire and repeat for the other side.

NOTE: Some models will require a small flange at the bottom end of the frame to be bent up slightly. This will allow hitch to be installed in the correct position.

3. Place the brackets over the bolts and install 1/2" flat washers, lock washers, and nuts on the bolts.

4. Install center section per SIDE BRACKET LOCATION 1. (See page 2.)



NOTE:
General assembly -
loosely assemble center section
(page 1);
loosely install side brackets on vehicle
(this page);
install center section assembly
(page 2-3);
tighten all fasteners to proper
specifications
(page 1).

82-96 FORD BRONCO (FULL SIZE)

1. Place the side brackets near the end of the frame, align rear edge of bracket with end of frame. Place 1/2" thick spacers between the frame and holes 1 & 4. Clamp in place. Drill 1/2" holes into the frame using holes 1 & 4 as a guide. Insert a 1/2" carriage bolt with bolt plate down through the frame and into hole 1.
2. Thread a carriage bolt onto the pull wire. Place a bolt plate over the bolt. Push the free end of the wire over the top of the frame and back down between the gas tank and the frame. Pull the wire through hole 4 and bring the bolt out through the hole. Install 1/2" flat washers, lock washers, and nuts on all bolts.
3. For the '94 Bronco, move the hitch forward to clear the bumper and install the hitch at that location.
4. Install center section per SIDE BRACKET LOCATION 1. (See page 2.)

1986-99 DAKOTA LONG BED

1. Center the side brackets on frame near the end and align rear edge of bracket with end of frame. Clamp side brackets in place. Using the holes in bracket as a guide, drill a 1/2" hole into the frame at holes 1 & 4. Insert 1/2" carriage bolts with 1/4" bolt plates down through the frame and into holes 1 & 4. Install 1/2" flat washers, lock washers, and nuts on the carriage bolts. Remove clamps.
2. Some models require 1/2" spacers between frame and side bracket.
3. Install center section per SIDE BRACKET LOCATION 1. (See page 2.)

92-99 CHEVROLET SUBURBAN, 95-99 TAHOE, 92-99 GMC YUKON, 92-94 FULL SIZE BLAZER/JIMMY, 92-99 GMC SUBURBAN

1. Lift the side brackets up to the frame. Install a 1/4" thick spacer on one of the 1/2" bolts. Insert the bolt down through the existing hole in frame and hole 1. Install a 1/2" flat washer, lock washer, and hex nut on the bolt. Repeat for other side.
2. Using hole 4 as a guide, drill a 1/2" hole in the frame. Install a 1/4" thick spacer on a 1/2" bolt and insert it down through the frame and hole 4. Install a 1/2" flat washer, lock washer, and hex nut on the bolt. Repeat for other side.
3. Some models require 1/2" spacers between frame and side bracket.
4. Install center section per SIDE BRACKET LOCATION 1. (See page 2.)

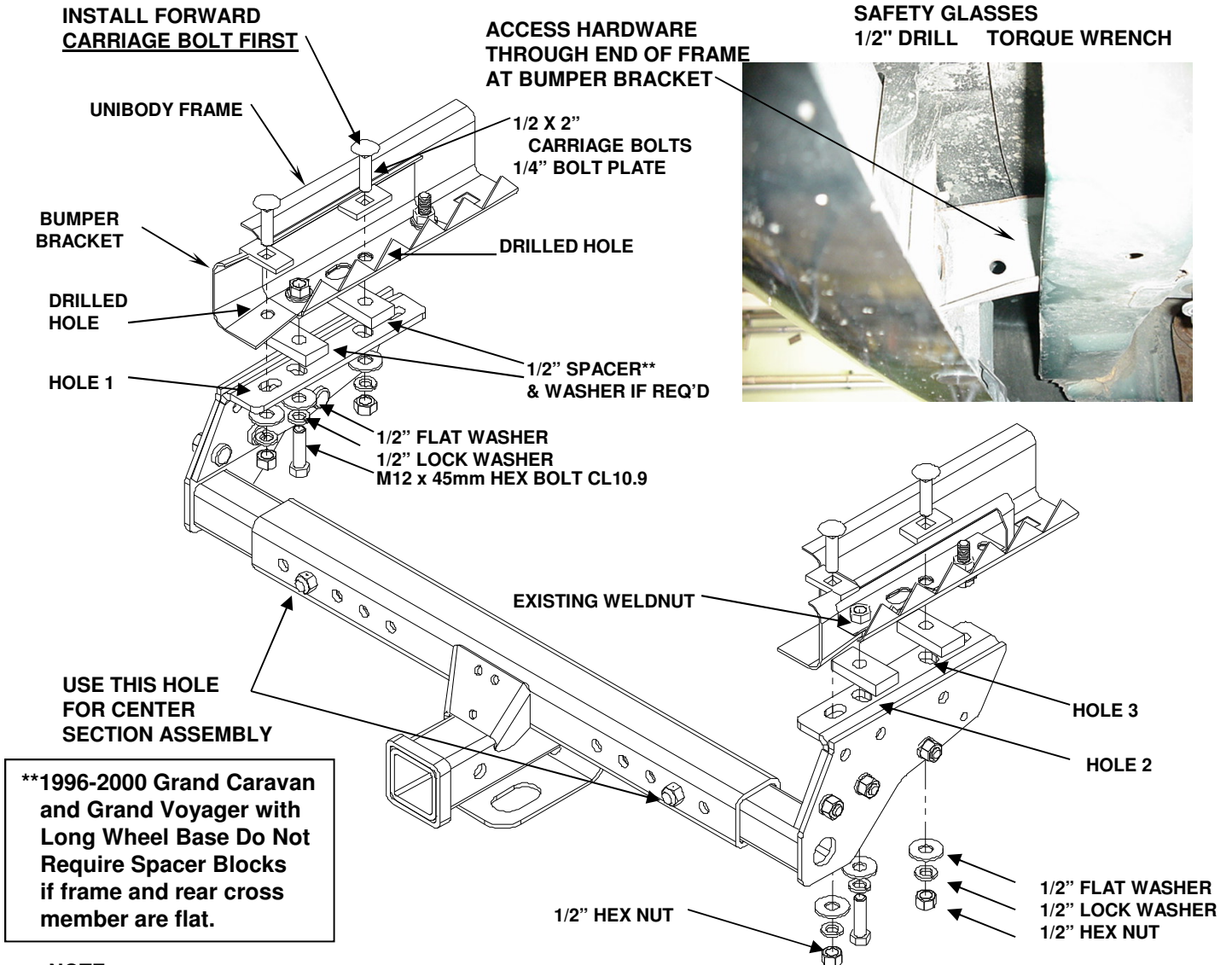
REFER TO SIDE BRACKET LOCATION INSTRUCTIONS FOR PROPER BOLT TIGHTENING SEQUENCE.

96-07 CARAVAN, VOYAGER, & TOWN & COUNTRY

INSTALLATION B

TOOLS REQUIRED

3/4", 18mm, 19mm SOCKET
SAFETY GLASSES
1/2" DRILL TORQUE WRENCH



NOTE:

General assembly - loosely assemble center section (page 1); loosely install side brackets on vehicle (this page); install center section assembly (page 2-3); tighten all fasteners to proper specifications (page 1)

96-03 VOYAGER, 1996-2007 CARAVAN, & TOWN & COUNTRY (EXCEPT STOW&GO SEAT OPTION)

1. Remove the rearmost existing 12mm hex bolt from bottom of frame, both sides.

NOTE: Do not remove the forward 12mm bolt.

2. Raise side brackets into position, aligning hole 2 in bracket with existing weldnut. Place (1) 1/2" spacer between side bracket and frame at hole 2. (**See note)

3. Loosely install supplied 12mm CL10.9 hex bolts, 1/2 lock washers, and flat washers into weldnuts.

4. Using the rearmost end of hole 1 and the center of hole 3 in side bracket as a guide, drill a 1/2" hole into the frame at holes 1 & 3.

5. Place (1) 1/2" spacer between side bracket and frame at hole 3. (**See note)

6. Use pull wire to install 1/2" x 2 carriage bolts with 1/4" bolt plates through access at end of frame and into drilled holes. NOTE: Install forward carriage bolt first.

7. Loosely install 1/2" flat washers, lock washers, and nuts on the carriage bolts.

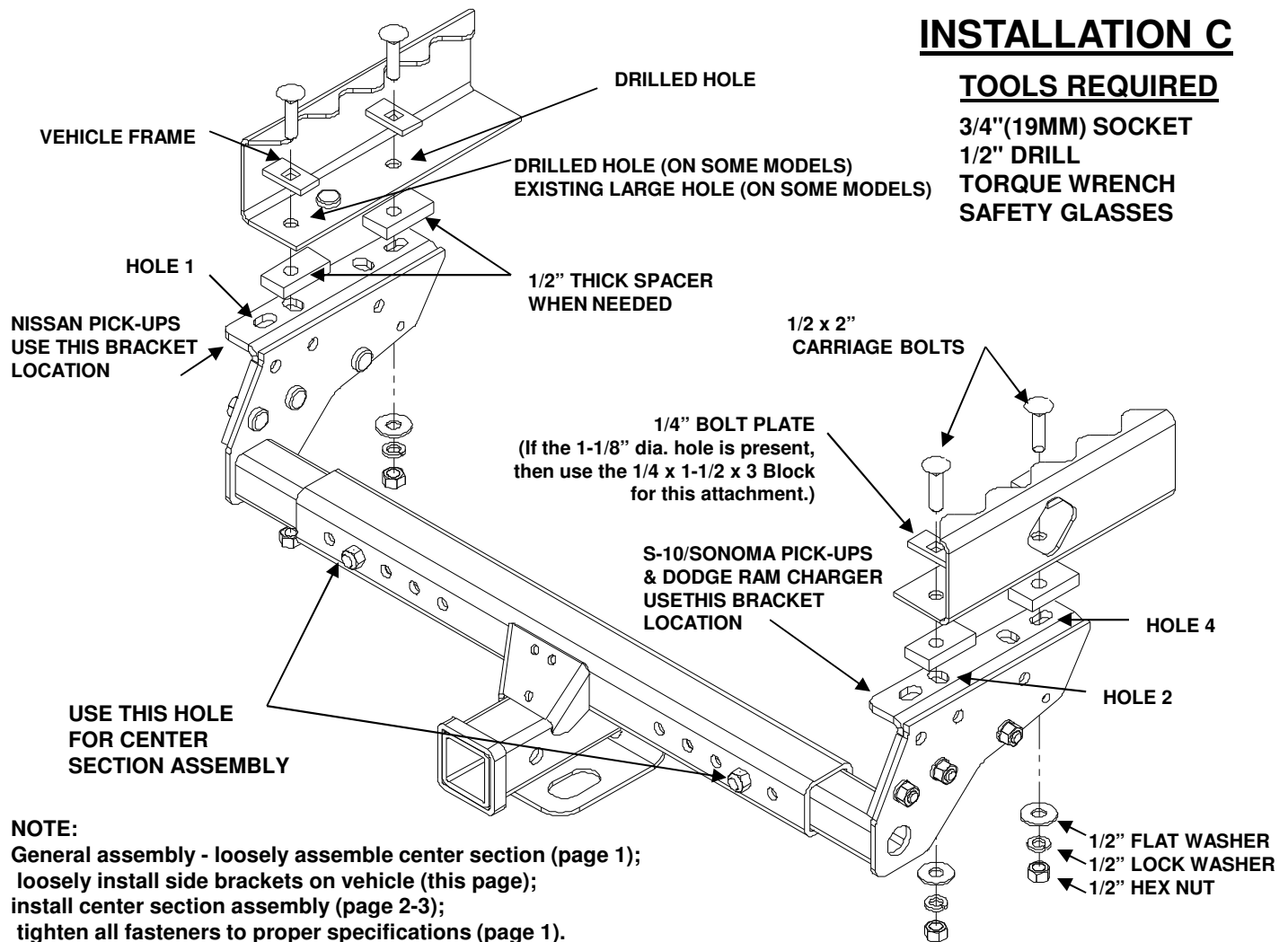
8. Raise center section into position and install per SIDE BRACKET LOCATION 1. (See page 2)

REFER TO SIDE BRACKET LOCATION INSTRUCTIONS FOR PROPER BOLT TIGHTENING SEQUENCE

INSTALLATION C

TOOLS REQUIRED

**3/4"(19MM) SOCKET
1/2" DRILL
TORQUE WRENCH
SAFETY GLASSES**



1983-2004 CHEVROLET S-10/GMC SONOMA - LONG BED / 1987-2004 NISSAN PICK-UP W/56" BEDS

1. Center the side brackets on frame and align hole 2 under large hole (if present) near end of frame.
(Note: Some models require 1/2" spacers between side bracket and frame.)
2. Insert 1/2" carriage bolts with 1/4 x 1-1/2 x 3" bolt plates down through large hole in frame and into hole 2 in side bracket. Use 1/2" spacers if necessary.
3. Install 1/2" flat washers, lock washers, and nuts on the carriage bolts.
4. Using hole 4 in bracket as a guide, drill a 1/2" hole into the frame at hole 4.
5. Install 1/2" carriage bolts with 1/4" bolt plates through drilled hole.
6. Install 1/2" flat washers, lock washers, and nuts on the carriage bolts.
7. Install center section per **SIDE BRACKET LOCATION 1 - LOCATION 2** for Nissan pick-ups. (See page 2.)
**If large hole is not present near end of frame:
8. Raise side brackets in approximate position shown and clamp in place. Using holes in side bracket as a guide, drill 1/2" holes into frame at holes 2 & 4.
9. See steps 5 through 7 to finish installation.

82-93 DODGE RAM CHARGER

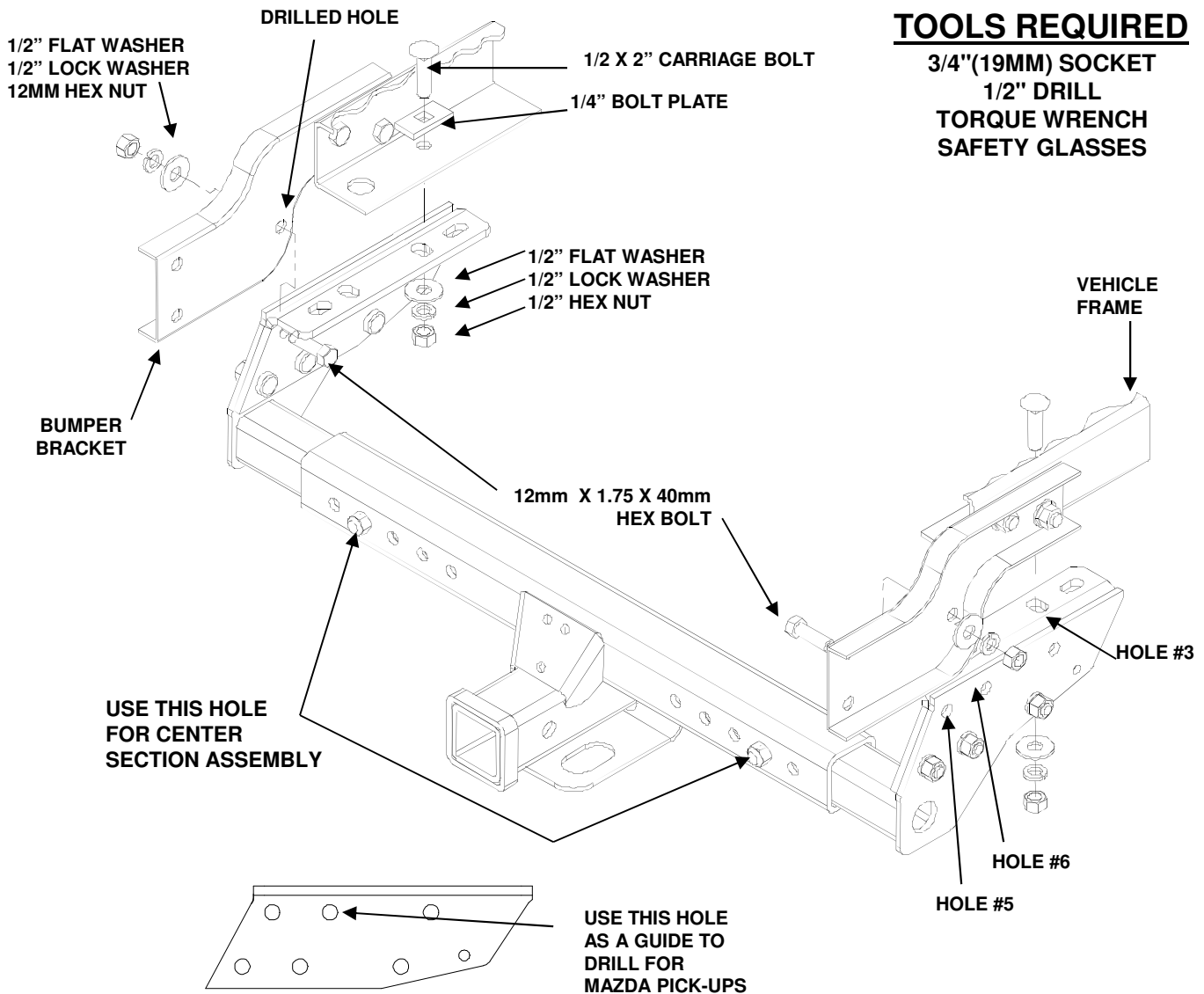
1. Position the side brackets up to the frame with hole 1 under the rivet head. Clamp in place or mark the frame at holes 2 and 4. Drill a 1/2" hole into the frame at holes 2 and 4.
2. Place a 1/2" thick spacer between the frame and holes 2 and 4. Thread a 1/2" carriage bolt onto the pull wire. Place a bolt plate over the bolt. Push the free end of the pull wire through the end of the frame and bring it out through the 1/2" mounting hole. Pull the bolt down through the hole. Unscrew the pull wire and repeat for the other bolts.
3. Install 1/2" flat washers, lock washers, and nuts on the bolts.
4. Install center section per **SIDE BRACKET LOCATION 1**. (See page 2.)

REFER TO SIDE BRACKET LOCATION INSTRUCTIONS FOR PROPER BOLT TIGHTENING SEQUENCE

INSTALLATION E

TOOLS REQUIRED

**3/4" (19MM) SOCKET
1/2" DRILL
TORQUE WRENCH
SAFETY GLASSES**



NOTE:

General assembly - loosely assemble center section (page 1); loosely install side brackets on vehicle (this page); install center section assembly (page 2-3); tighten all fasteners to proper specifications (page 1)

90-93 MAZDA PICK-UP

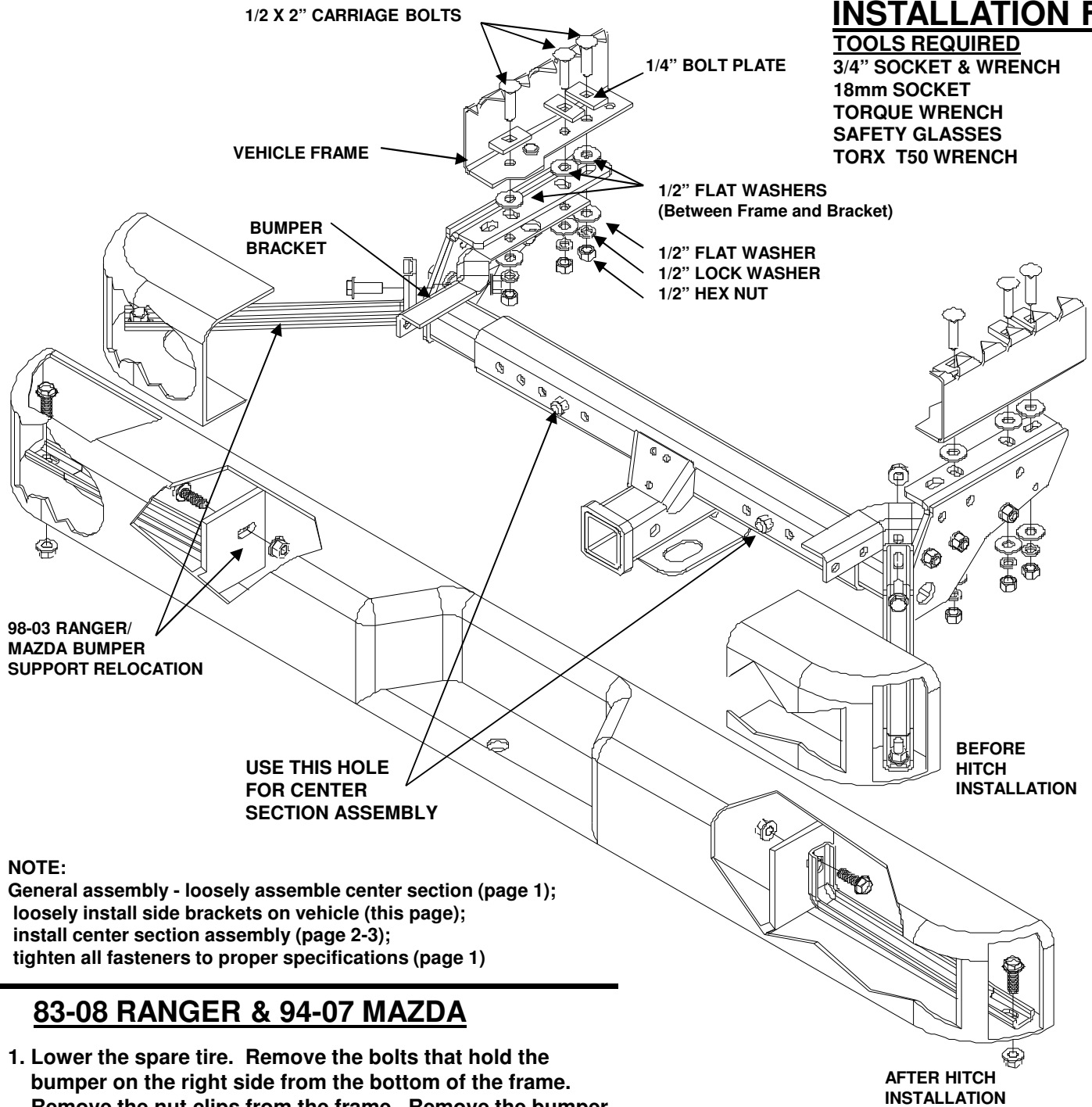
- 1. Raise the brackets up to the frame with the bracket as far forward toward the front of the truck as possible. Do not let the bracket rest upon the weld in the frame. Clamp in place.**
- 2. Drill a 1/2" hole into the frame using hole 3 as a guide. Thread a 1/2" carriage bolt onto the pull wire and place a bolt plate over the bolt. Push the free end of the pull wire into the open end of the frame and bring it out through hole 3. Pull the bolt down through hole 3. Unscrew the wire.**
- 3. Make sure hitch is level. Drill a 1/2" hole through the bumper bracket using hole 6 as a guide.**
- 4. Install center section per SIDE BRACKET LOCATION 1. (See page 2.)**
- 5. Insert a 12mm bolt from the outside, into hole. Install 1/2" flat washers, lock washers, and nuts on all bolts.**

REFER TO SIDE BRACKET LOCATION INSTRUCTIONS FOR PROPER BOLT TIGHTENING SEQUENCE

INSTALLATION F

TOOLS REQUIRED

3/4" SOCKET & WRENCH
18mm SOCKET
TORQUE WRENCH
SAFETY GLASSES
TORX T50 WRENCH



**98-03 RANGER/
MAZDA BUMPER
SUPPORT RELOCATION**

**USE THIS HOLE
FOR CENTER
SECTION ASSEMBLY**

NOTE:
General assembly - loosely assemble center section (page 1);
loosely install side brackets on vehicle (this page);
install center section assembly (page 2-3);
tighten all fasteners to proper specifications (page 1)

83-08 RANGER & 94-07 MAZDA

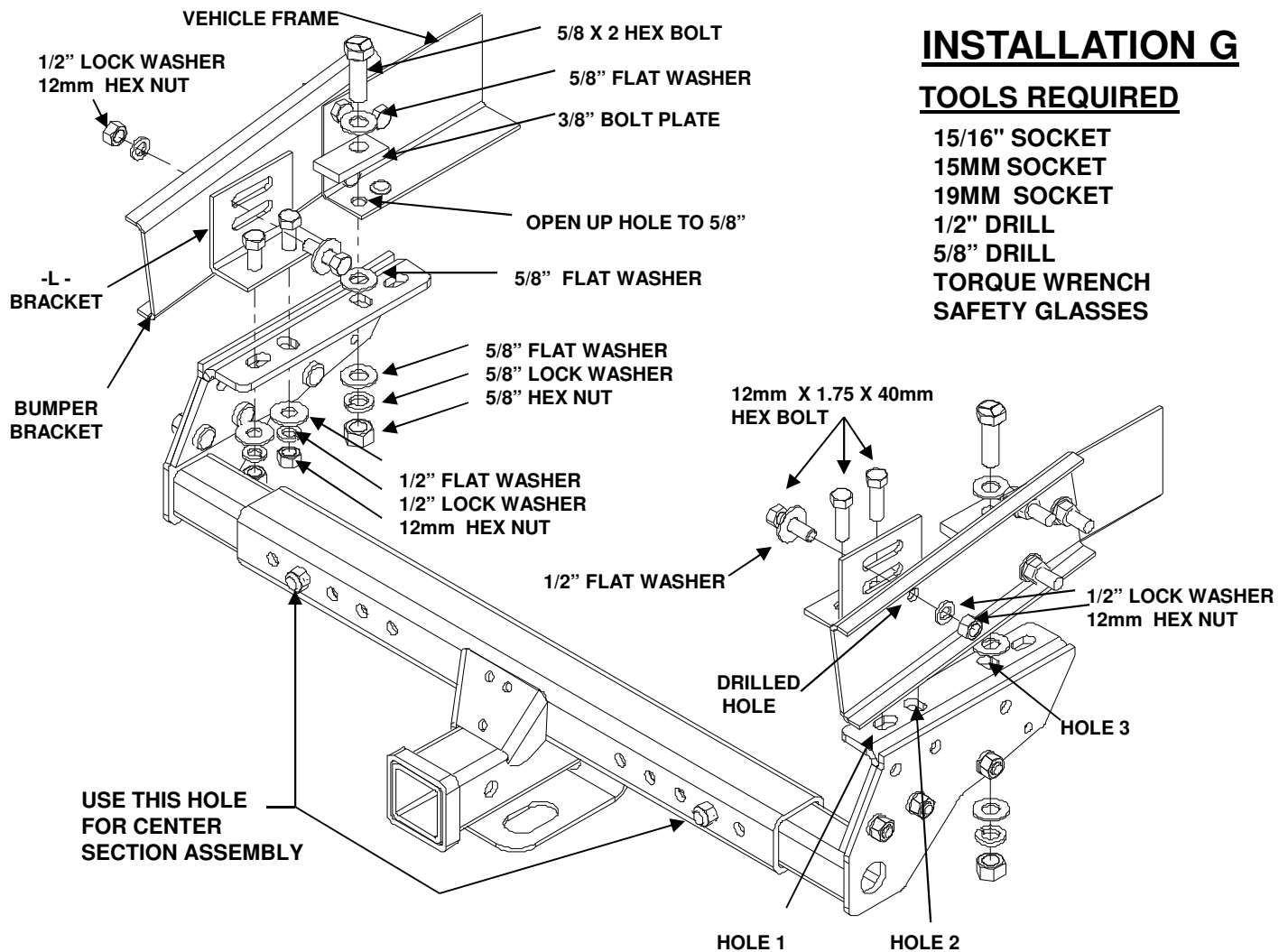
1. Lower the spare tire. Remove the bolts that hold the bumper on the right side from the bottom of the frame. Remove the nut clips from the frame. Remove the bumper brace that goes to the corner of the bumper. You will need the TORX T50 wrench to unbolt it from the bumper. ***(FOR 98-05 MODELS)***
2. Drop the 1/2" carriage bolts and bolt plates through the holes in the frame and hold the Right Hand Bracket up over the bolts with flat washers between the frame and the bracket at all three bolting locations. Reinstall the bumper bracket under the hitch bracket and install the 1/2" flat washers, lock washers, and nuts. See the diagram above. Leave the nuts loose at this time.
3. Remove the left hand bumper brackets, nut clips, and the bumper corner brace.
4. Lift the Left hand bracket up above the the bumper bracket and place it under the frame. Repeat step 2 for left hand bracket.
5. Install center section per BRACKET LOCATION 1. (See page 2.)
6. Re-attach the bumper braces. Bolt them into the slot in the center of the bumper. Retighten spare tire.

REFER TO SIDE BRACKET LOCATION INSTRUCTIONS FOR PROPER BOLT TIGHTENING SEQUENCE

INSTALLATION G

TOOLS REQUIRED

15/16" SOCKET
15MM SOCKET
19MM SOCKET
1/2" DRILL
5/8" DRILL
TORQUE WRENCH
SAFETY GLASSES



NOTE:

General assembly - loosely assemble center section (page 1); loosely install side brackets on vehicle (this page); install center section assembly (page 2-3); tighten all fasteners to proper specifications (page 1)

86-04 DODGE DAKOTA-SHORT BED

1. Use the 5/8" drill to open the holes at the end of the frame to 5/8" diameter. Insert a 5/8" X 2 hex bolt with 3/8" bolt plate through the hole at the end of the frame.
3. Lift the side brackets up to the frame and align hole #3 in side brackets with hex bolts. Place one 5/8" flat washers between the frame and bracket on the hex bolts to space the side brackets down off the rivet in the frame. See the diagram.
4. Install 5/8" flat washers, lock washers and nuts on the carriage bolts. Tighten the bolts so that the hitch is level.
5. Attach "L" brackets to the side brackets over holes 1 & 2 with two (2) M12 x 40mm hex bolts, each side as shown.
6. Using the long slot as a guide, drill a 1/2" hole at far rearward end of slot through the bumper brackets. Install M12 x 40mm hex bolts, flat washers, lock washers and nuts on the bolts.
7. Install center section per SIDE BRACKET LOCATION 1. (See page 2.)

FOR DAKOTA QUAD CAB - 2000-01

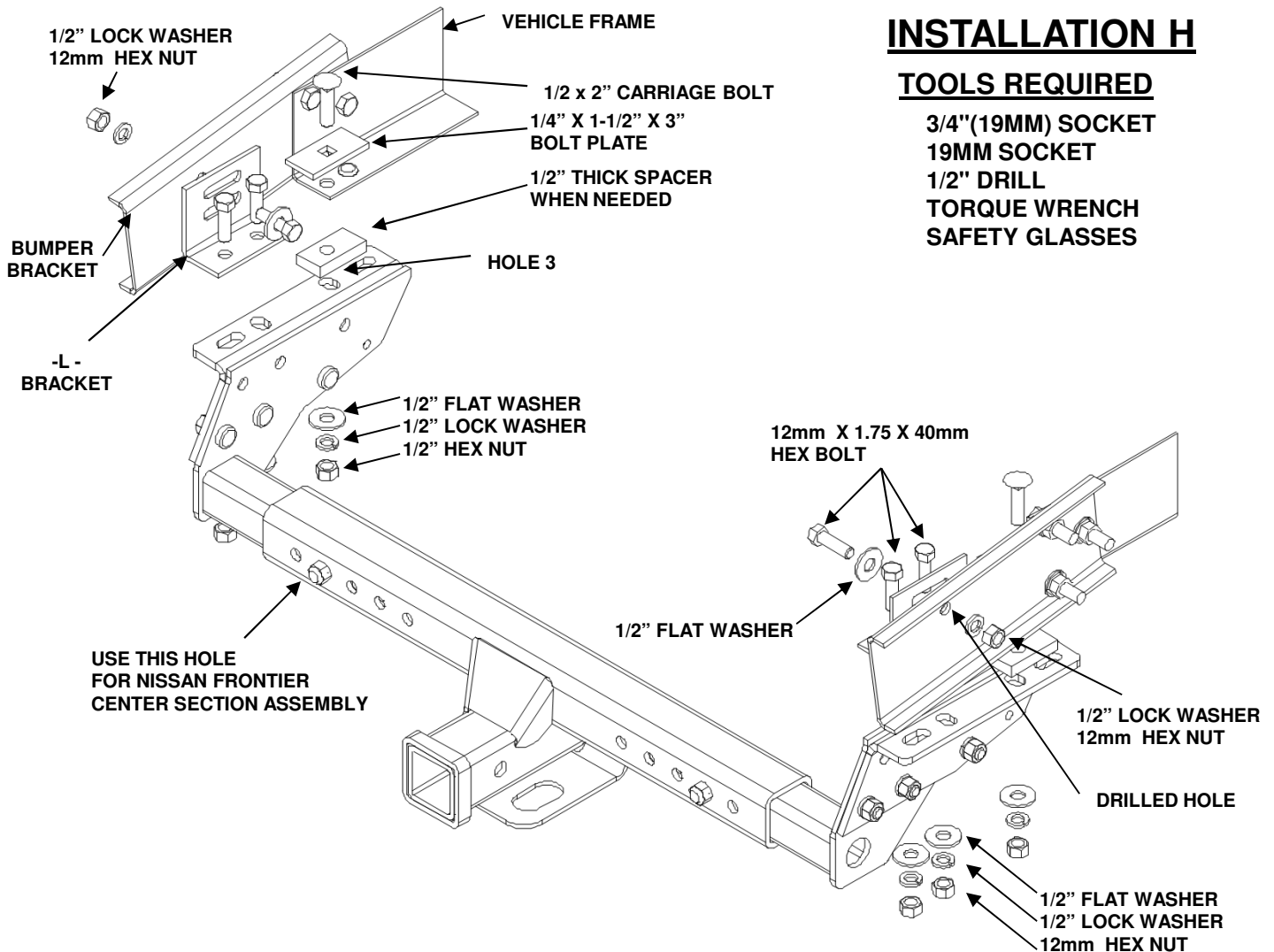
1. Remove mass-damper using 15mm socket. (Mass-damper is the round tube just forward of the bumper, suspended on rubber mounts.)
2. Complete above steps (1-7)
3. Reinstall mass-damper.

REFER TO SIDE BRACKET LOCATION INSTRUCTIONS FOR PROPER BOLT TIGHTENING SEQUENCE

INSTALLATION H

TOOLS REQUIRED

3/4"(19MM) SOCKET
19MM SOCKET
1/2" DRILL
TORQUE WRENCH
SAFETY GLASSES



NOTE:

General assembly - loosely assemble center section (page 1); loosely install side brackets on vehicle (this page); install center section assembly (page 2-3); tighten all fasteners to proper specifications (page 1)

87-04 NISSAN PICK-UP / FRONTIER 2 & 4 DOOR WITH 75" BEDS

1. Remove the bolt from the bottom of the frame, reverse its direction, and reinstall the bolt with the head on the bottom of the frame. Position the side brackets up to the frame rearward of the bolt with a 1/2" spacer over hole 3.
2. Drill a 1/2" hole in the frame at hole 3. Install a 1/2" carriage bolt with 1/4 x 1-1/2 x 3" block down through the frame, spacer and hole 3.
3. Attach the "L" brackets to the side brackets over holes 1 & 2 with two (2) M12 x 40mm hex bolts as shown.
4. Using the long slot as a guide, drill a 1/2" hole at far end of slot through the bumper brackets. Install M12 x 40mm hex bolts, flat washer, lock washers and nuts on the bolts.
5. Install center section per SIDE BRACKET LOCATION 2. (See page 2.)

REFER TO SIDE BRACKET LOCATION INSTRUCTIONS FOR PROPER BOLT TIGHTENING SEQUENCE

INSTALLATION I

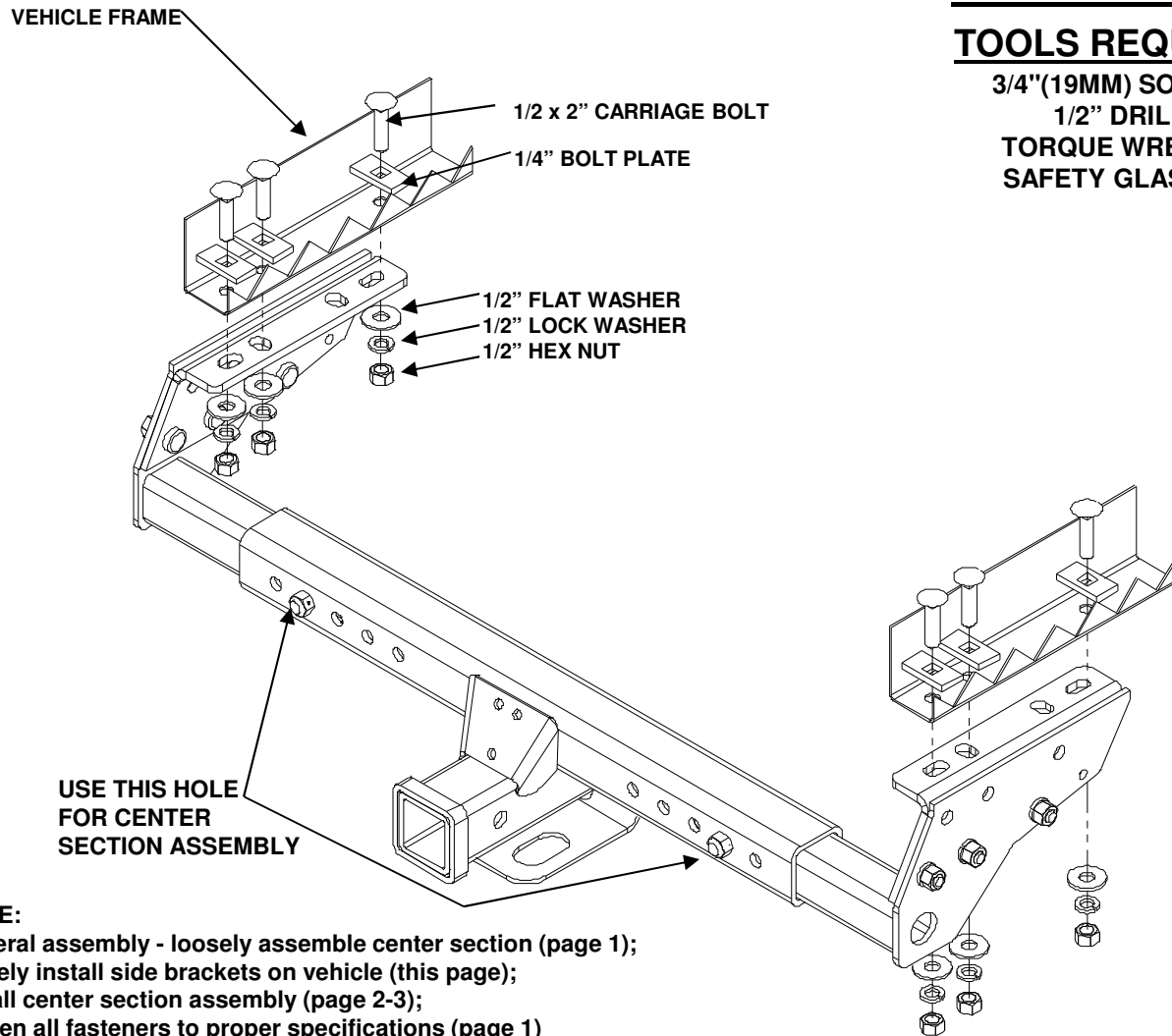
TOOLS REQUIRED

3/4"(19MM) SOCKET

1/2" DRILL

TORQUE WRENCH

SAFETY GLASSES



NOTE:

General assembly - loosely assemble center section (page 1);
loosely install side brackets on vehicle (this page);
install center section assembly (page 2-3);
tighten all fasteners to proper specifications (page 1)

84-96 JEEP CHEROKEE, XJ (WITHOUT FUEL TANK SHIELD AND EXISTING HARDWARE IN FRAME)

1. Remove the bolts that hold the muffler hanger. Move the hanger to the right and replace the left bolt into the right hole. This is done to move the exhaust over for tailpipe clearance with the hitch.
2. Thread a 1/2" x 2 carriage bolt onto the pull wire. Place a 1/4 bolt plate over the bolt. Push the free end of the wire into the opening at the end of the frame. Bring the wire out through the hole in the rear of the frame. Pull the bolt down through the hole. Repeat for the other side.
3. Place the side brackets up to the rear of the frame. Install 1/2" flat washers, lock washers and nuts on bolts.
4. Install center section per SIDE BRACKET LOCATION 1. (See page 2.)

86-97 FORD AEROSTAR (EXTENDED)

1. Place the hitch up to the frame and as far rearward as possible. Drill 1/2" holes into the frame using holes 1, 2 & 4 as a guide. Open up the access hole in the bottom of the frame to allow the 1/2" carriage bolt to pass through. This hole is located farther forward in the frame.
2. Thread a 1/2" carriage bolt onto the pull wire and place a bolt plate over it. Push the free end of the pull wire into the access hole and out through one of the drilled holes. Pull the bolt down through the hole. Remove the wire and repeat for the remaining holes.
3. Install 1/2" flat washers, lock washers, and nuts on all bolts.
4. Install center section per SIDE BRACKET LOCATION 1. (See page 2)

REFER TO SIDE BRACKET LOCATION INSTRUCTIONS FOR PROPER BOLT TIGHTENING SEQUENCE

INSTALLATION J

TOOLS REQUIRED

3/4"(19MM) SOCKET 19MM SOCKET
1/2" DRILL
TORQUE WRENCH SAFETY GLASSES

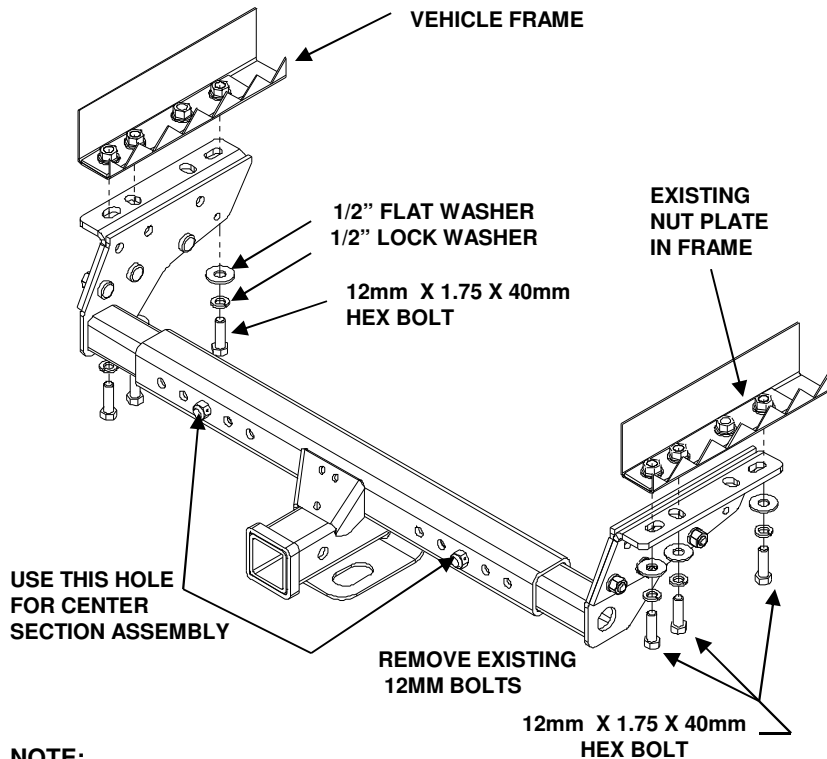
FOR 1997-2001 JEEP CHEROKEE VEHICLES WITH STEEL FUEL TANK SHIELDS:

1. Loosen the tailpipe clamp from the tailpipe.
2. Remove the 12mm bolts fastening the shield to the chassis rails if present. Loosen the remaining bolt in the tailpipe hanger bracket.
3. Lift the side brackets to the frame, with the flange on the right side under the tailpipe hanger bracket.

NOTE: It may be necessary on some models to bend the heat shield in so the hitch can be installed. It may be necessary to open the holes in shield with a 1/2" drill.

4. Install the supplied 12mm bolts with 1/2" lock washers, and 1/2" flat washers. Snug up the bolts.
5. Install center section per **SIDE BRACKET LOCATION 2.** (See page 2.)
6. Adjust the tailpipe for clearance. Tighten the tailpipe clamp.

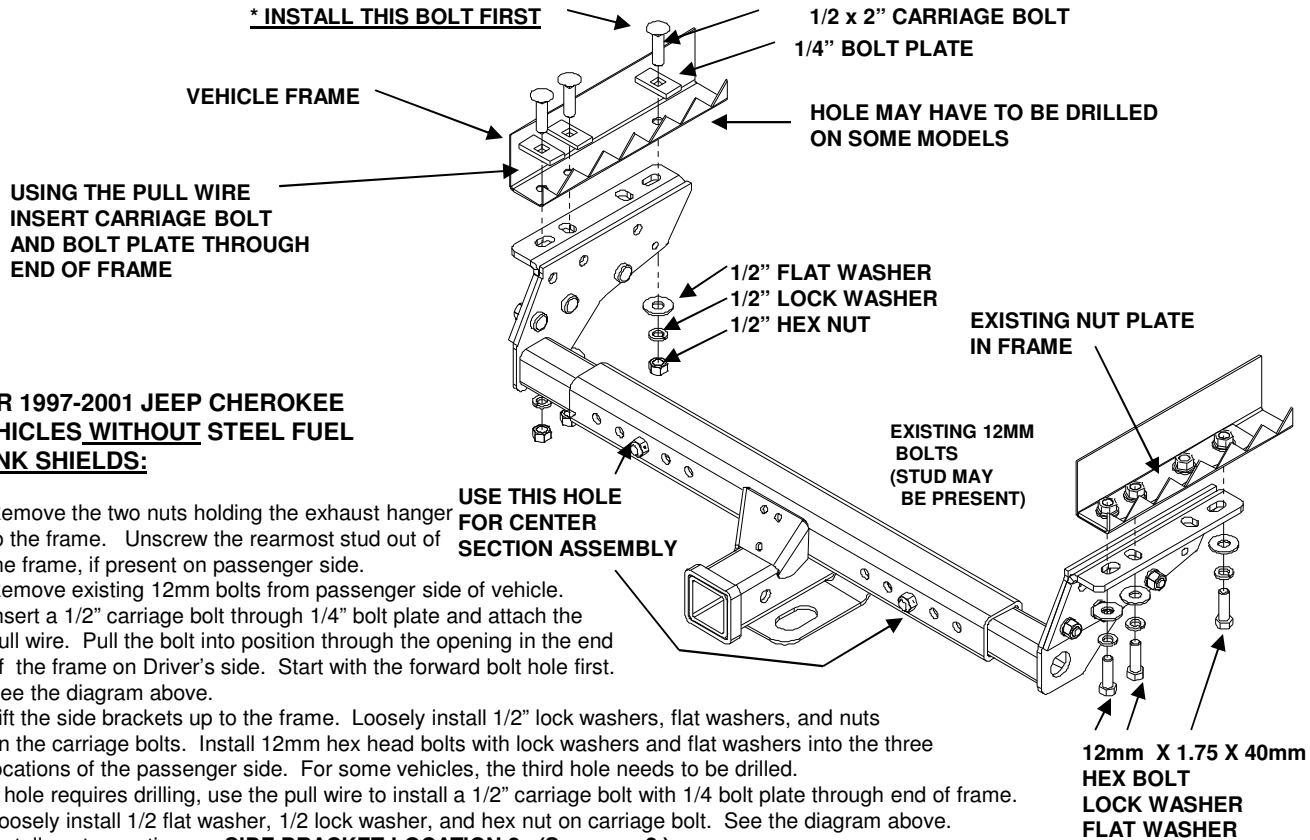
REFER TO SIDE BRACKET LOCATION INSTRUCTIONS FOR PROPER BOLT TIGHTENING SEQUENCE



NOTE:

General assembly - loosely assemble center section (page 1); loosely install side brackets on vehicle (this page); install center section assembly (page 2-3); tighten all fasteners to proper specifications (page 1)

*** INSTALL THIS BOLT FIRST**



FOR 1997-2001 JEEP CHEROKEE VEHICLES WITHOUT STEEL FUEL TANK SHIELDS:

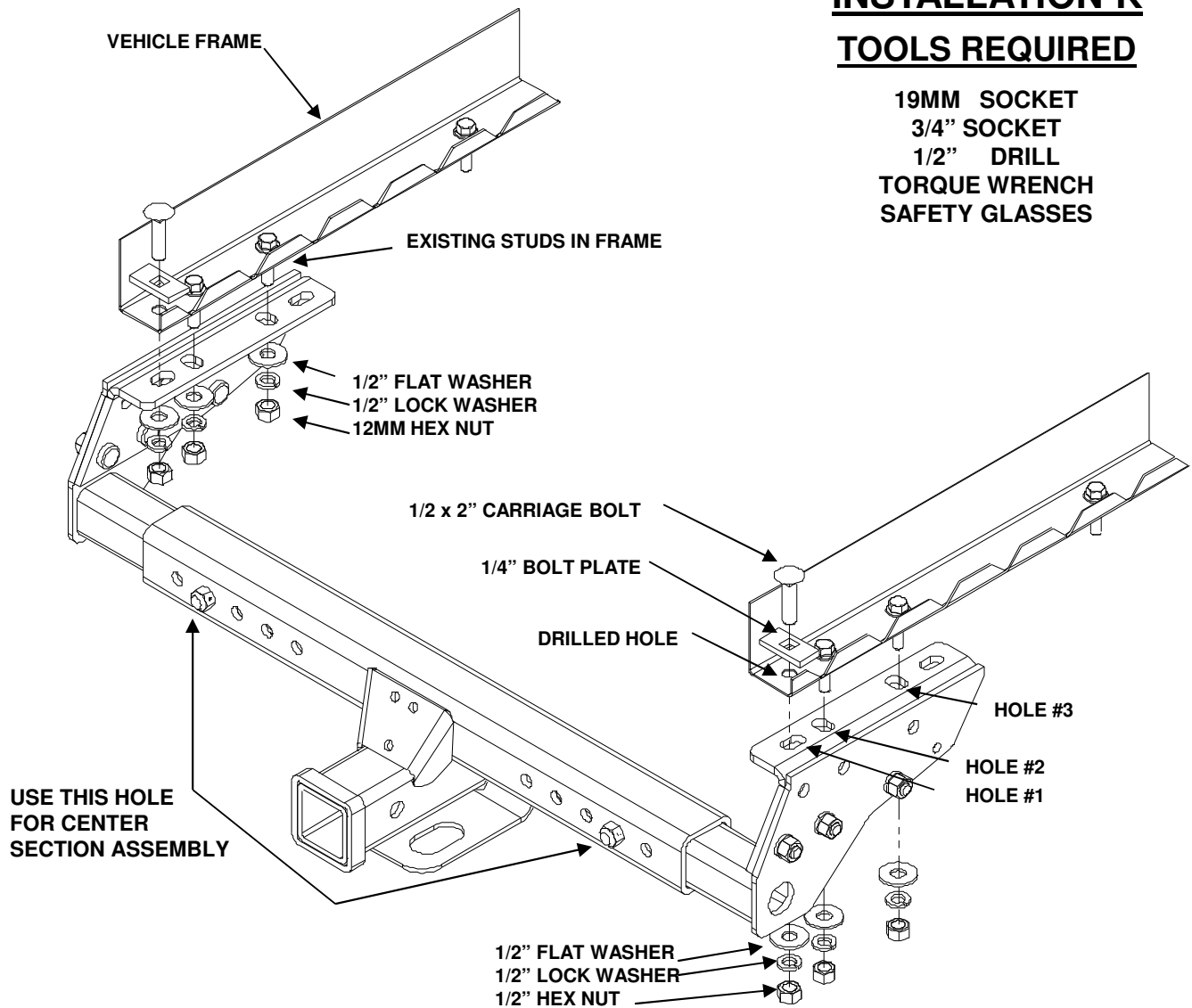
1. Remove the two nuts holding the exhaust hanger to the frame. Unscrew the rearmost stud out of the frame, if present on passenger side. Remove existing 12mm bolts from passenger side of vehicle.
2. Insert a 1/2" carriage bolt through 1/4" bolt plate and attach the pull wire. Pull the bolt into position through the opening in the end of the frame on Driver's side. Start with the forward bolt hole first. See the diagram above.
3. Lift the side brackets up to the frame. Loosely install 1/2" lock washers, flat washers, and nuts on the carriage bolts. Install 12mm hex head bolts with lock washers and flat washers into the three locations of the passenger side. For some vehicles, the third hole needs to be drilled. If hole requires drilling, use the pull wire to install a 1/2" carriage bolt with 1/4" bolt plate through end of frame. Loosely install 1/2" flat washer, 1/2" lock washer, and hex nut on carriage bolt. See the diagram above.
4. Install center section per **SIDE BRACKET LOCATION 2.** (See page 2.)
5. Reinstall the exhaust under the hitch bracket. Install the 12mm bolt with a 1/2" lock washer and flat washer through the exhaust bracket, the hitch bracket, and into the frame. Replace the factory nut on the other stud if present.

REFER TO SIDE BRACKET LOCATION INSTRUCTIONS FOR PROPER BOLT TIGHTENING SEQUENCE

INSTALLATION K

TOOLS REQUIRED

19MM SOCKET
3/4" SOCKET
1/2" DRILL
TORQUE WRENCH
SAFETY GLASSES



NOTE:

General assembly - loosely assemble center section (page 1); loosely install side brackets on vehicle (this page); install center section assembly (page 2-3); tighten all fasteners to proper specifications (page 1)

93-98 JEEP GRAND CHEROKEE

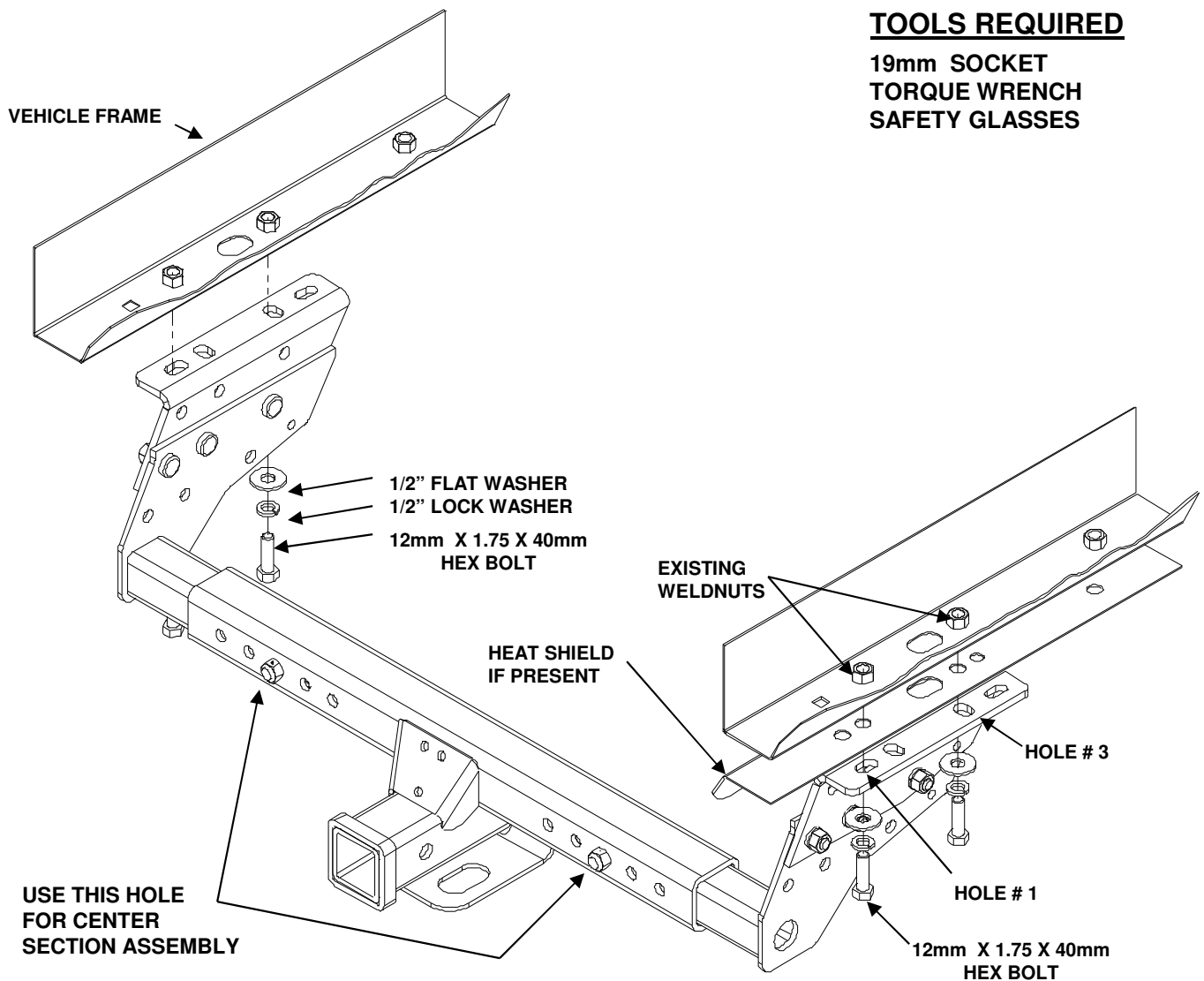
1. Place the side brackets over the studs that are fastened into the bottom of the frame. Use holes 2 & 3. Install 1/2" flat washers, lock washers, and 12mm nuts on the studs.
2. Drill a 1/2" hole into the frame using hole 1 as a guide. Thread 1/2 x 2 carriage bolt onto the pull wire and place a 1/4 bolt plate over the bolt. Insert the free end of the pull wire into the top of the bumper bracket. This is between the end of the frame and the bumper. Push it out through hole 1. Pull the bolt down through the hole. Unscrew the pull wire. Install 1/2" flat washers, lock washers, and nuts on the carriage bolts.
3. Install center section per SIDE BRACKET LOCATION 1. (See page 2)

REFER TO SIDE BRACKET LOCATION INSTRUCTIONS FOR PROPER BOLT TIGHTENING SEQUENCE

INSTALLATION L

TOOLS REQUIRED

19mm SOCKET
TORQUE WRENCH
SAFETY GLASSES



NOTE:

General assembly - loosely assemble center section (page 1); loosely install side brackets on vehicle (this page); install center section assembly (page 2-3); tighten all fasteners to proper specifications (page 1)

2002-07 JEEP LIBERTY

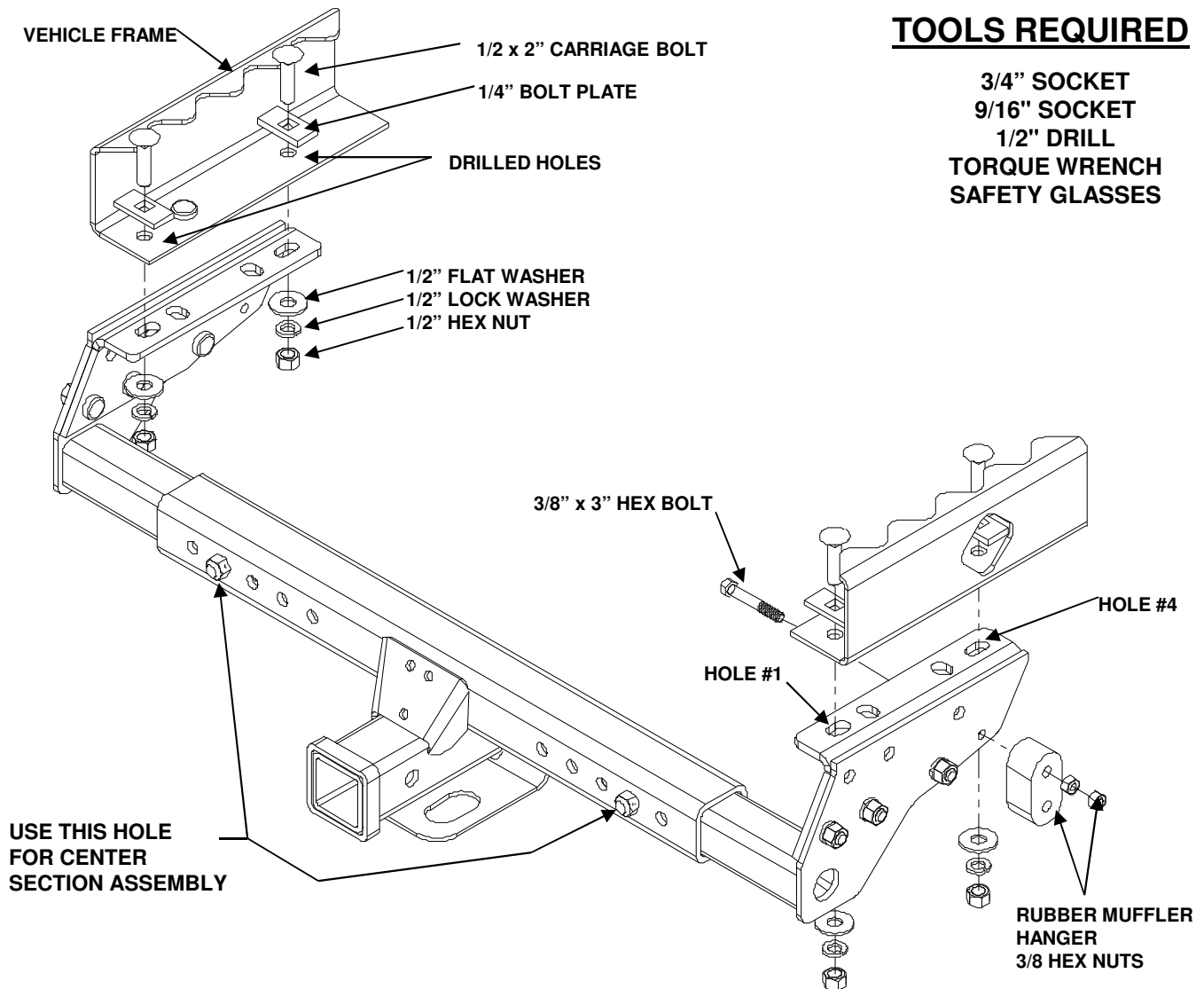
1. If vehicle is equipped with a fuel tank shield, remove the two rearmost 12mm bolts from each side.
2. Lift the side brackets up to the frame in orientation shown and align hole 1. in side bracket with the rearmost weldnut. Loosely install the supplied 12mm hex bolts, lock washers, and flat washers into existing weldnuts in frame.
3. Install center section per SIDE BRACKET LOCATION 3. (See page 3.)

REFER TO SIDE BRACKET LOCATION INSTRUCTIONS FOR PROPER BOLT TIGHTENING SEQUENCE

INSTALLATION M

TOOLS REQUIRED

3/4" SOCKET
9/16" SOCKET
1/2" DRILL
TORQUE WRENCH
SAFETY GLASSES



NOTE: General assembly - loosely assemble center section (page 1); loosely install side brackets on vehicle (this page); install center section assembly (page 2-3); tighten all fasteners to proper specifications (page 1)

84-90 FORD BRONCO II

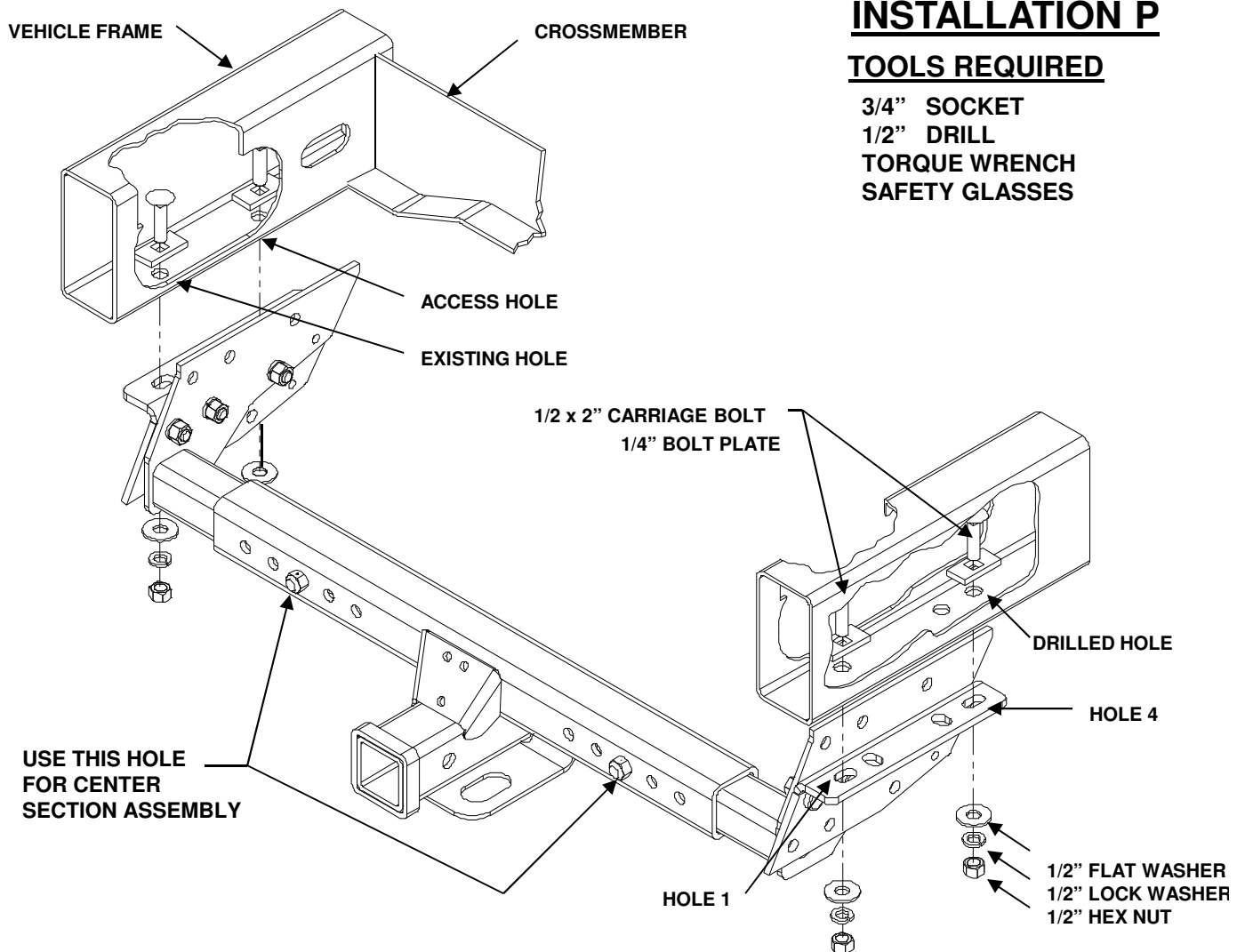
1. Either bend the muffer hanger rod out of the way or cut it off with a saw.
2. Place the side brackets up to the rear of the frame. Using holes 1 and 4 as a guide, drill 1/2" diameter holes into the frame.
3. Reaching up between the gas tank and the frame, install 1/2" carriage bolts and 1/4" bolt plates into holes 1 and 4. Install 1/2" flat washers, lock washers, and nuts on the bolts.
4. Install center section per **SIDE BRACKET LOCATION 1**. (See page 2)
5. Remount the muffer hanger to the side of the hitch bracket, using 3/8" hex bolt through side bracket and rubber hanger. Install two(2) 3/8" nuts on the bolt, use the second nut as a lock against the first nut.

REFER TO SIDE BRACKET LOCATION INSTRUCTIONS FOR PROPER BOLT TIGHTENING SEQUENCE

INSTALLATION P

TOOLS REQUIRED

3/4" SOCKET
1/2" DRILL
TORQUE WRENCH
SAFETY GLASSES



NOTE:

General assembly - loosely assemble center section (page 1); loosely install side brackets on vehicle (this page); install center section assembly (page 2-3); tighten all fasteners to proper specifications (page 1)

1996-07 CHEVROLET/ GMC FULL SIZE VANS

1. Install 1/2" X 2" carriage bolt with a 1/4" bolt plate through access hole and into the rearmost existing hole in the bottom of the frame, both sides. Raise the side brackets into position, lining up hole 1 in bracket with carriage bolt. Loosely install a 1/2" flat washer, lock washer, and hex nut on the bolt. Repeat for other side.
2. Using hole 4 in side bracket as a guide, drill a 1/2" hole in the frame. Install a 1/2" x 2 carriage bolt with a 1/4" bolt plate through drilled hole. Install a 1/2" flat washer, lock washer, and hex nut on the bolt. Repeat for the other side.
3. Install center section per SIDE BRACKET LOCATION 4. (See page 3.)

REFER TO SIDE BRACKET LOCATION INSTRUCTIONS FOR PROPER BOLT TIGHTENING SEQUENCE

INSTALLATION Q **TOOLS REQUIRED**

**11/16", 19MM SOCKET
TORQUE WRENCH
SAFETY GLASSES TAPE**

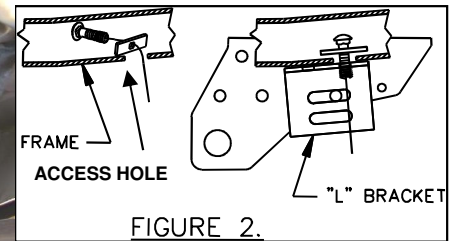


FIGURE 2.

**3500 LB. MAX GROSS TRAILER WT.
350 LB. MAX TONGUE WT.
WEIGHT CARRYING ONLY
DO NOT USE WITH SPRING BARS
DO NOT EXCEED TOW VEHICLE RATINGS**

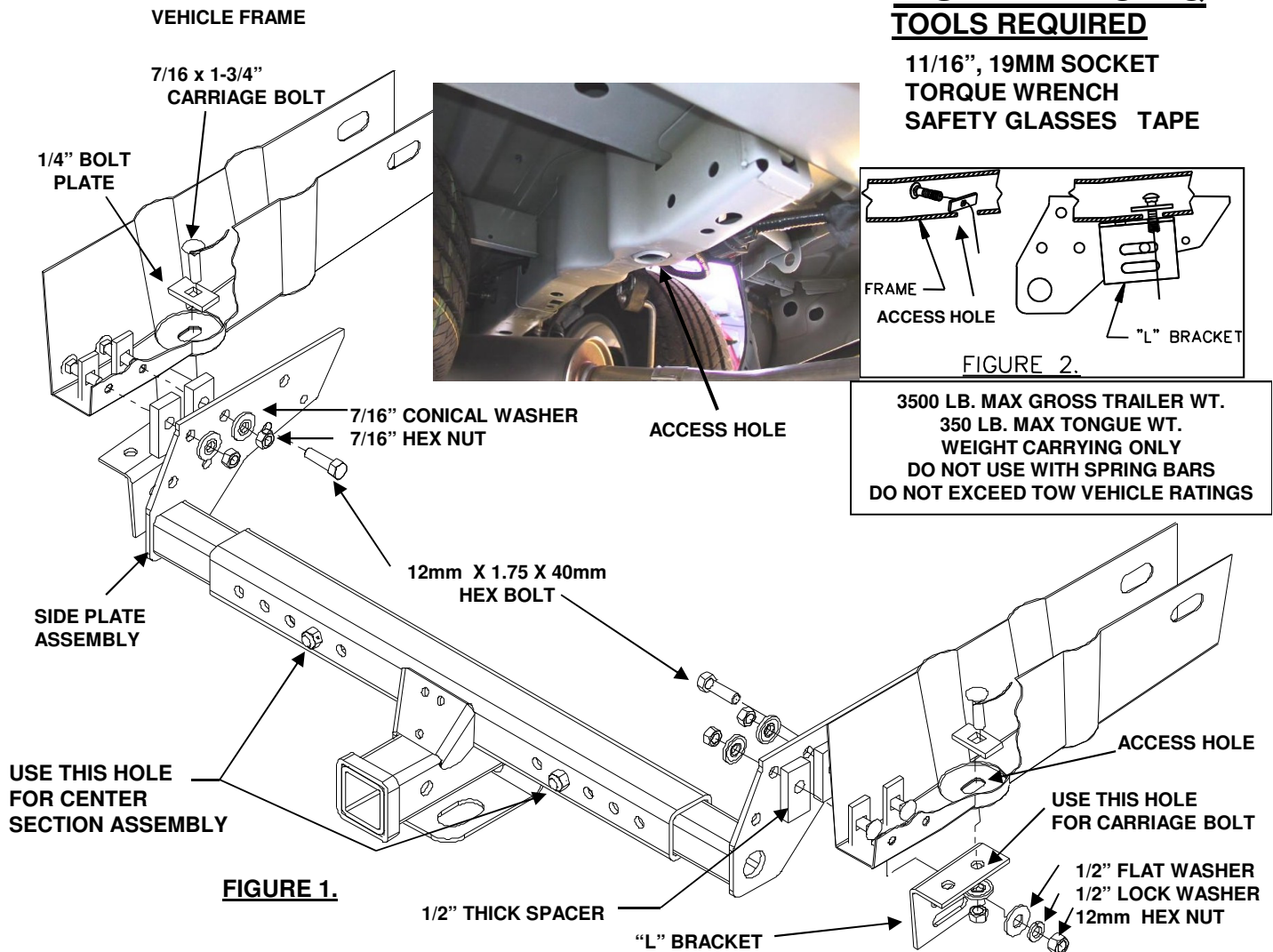


FIGURE 1.

NOTE:

General assembly - loosely assemble center section (page 1); install center section assembly (this page); tighten all fasteners to proper specifications (page 1)

1999-2003 FORD WINDSTAR - ALL MODELS

1. Loosely install the side plate assemblies into center section as shown. (See page 1.)
Note: Slide the side plate assemblies toward center.
2. Use pull wire to install two (2) 7/16" x 1-3/4 carriage bolts with 1/4" bolt plates through access hole and into the two holes on the inside of the frame, both sides.
3. Place a 1/2" thick spacer on each carriage bolt. Apply a small piece of tape to spacer and carriage bolt to prevent bolt from sliding into frame.
4. Raise center section assembly and line up the two rearmost top holes on side plate with the carriage bolts on one side of vehicle and install side plate over carriage bolts.
NOTE: Use a jack stand to temporarily support center section assembly.
5. Loosely install 7/16" conical washers and hex nuts on bolts.
6. Install the other side plate over the two carriage bolts and loosely install 7/16" conical washers and hex nuts.
7. Use pull wire to install 7/16" carriage bolt with 1/4" bolt plate in access hole in bottom of frame. Then pull carriage bolt back through the access hole which will be used to install the "L" bracket. (See Figure 2.)
8. Line up hole in "L" bracket with 7/16" carriage bolt and loosely install 7/16" conical washer and hex nut on bolt. Using a 12mm x 40mm hex bolt (fully threaded), 1/2" flat washer, and 12mm hex nut, attach "L" bracket to side plate as shown in figures 1 & 2 each side as shown.
9. Tighten fasteners to proper torque. (See page 1.)

REFER TO SIDE BRACKET LOCATION INSTRUCTIONS FOR PROPER BOLT TIGHTENING SEQUENCE

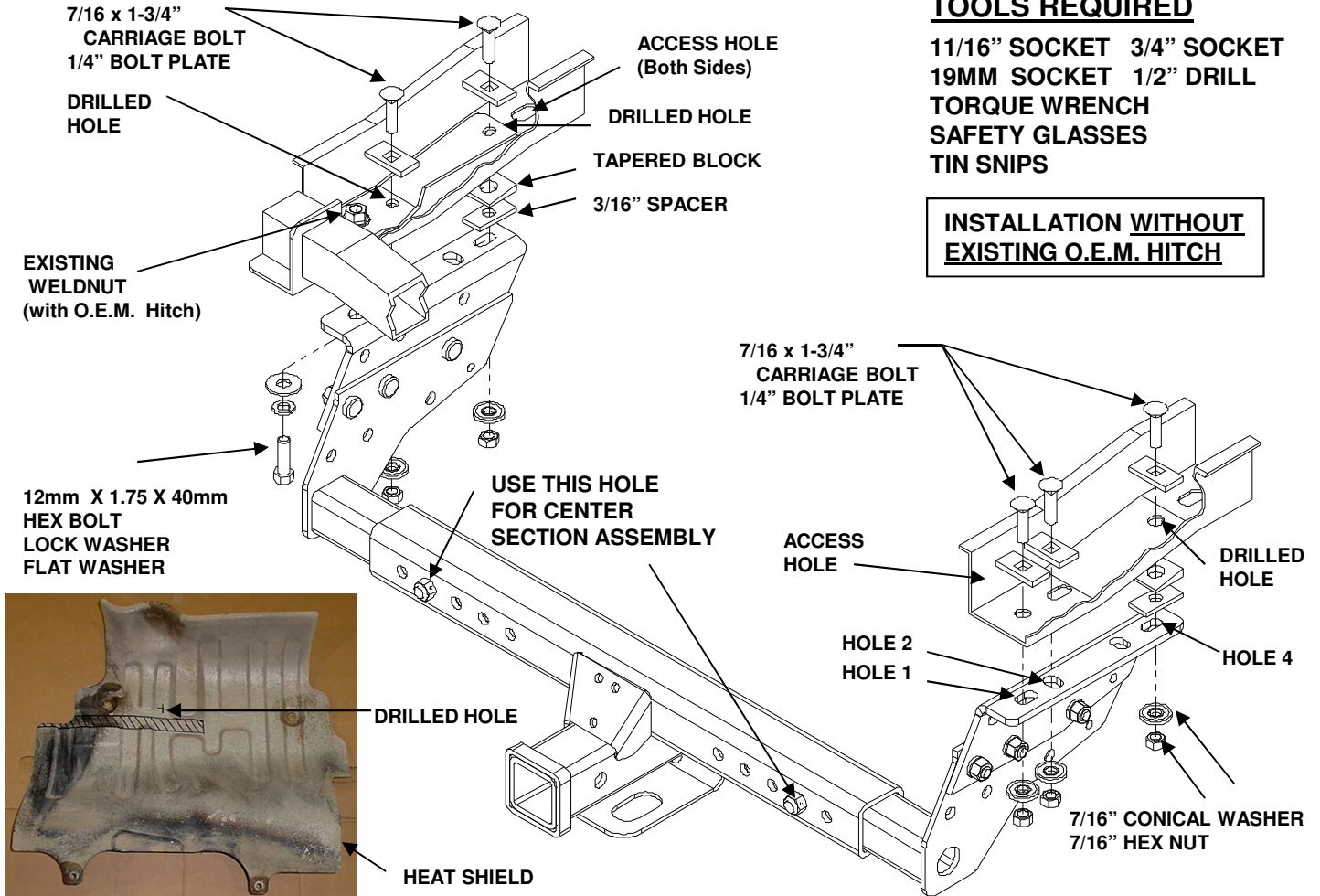
INSTALLATION WITH EXISTING O.E.M. HITCH

INSTALLATION R

TOOLS REQUIRED

11/16" SOCKET 3/4" SOCKET
19MM SOCKET 1/2" DRILL
TORQUE WRENCH
SAFETY GLASSES
TIN SNIPS

INSTALLATION WITHOUT EXISTING O.E.M. HITCH



NOTE: General assembly - loosely assemble center section (page 1); loosely install side brackets on vehicle (this page); install center section assembly (page 2-3); tighten all fasteners to proper specifications (page 1)

2001-04 FORD ESCAPE/MAZDA TRIBUTE - ALL MODELS (VEHICLES WITHOUT O.E.M. TRAILER HITCH)

1. Remove heat shield on 2002 and earlier models.
2. Use pull wire to install two (2) 7/16 x 1-3/4" carriage bolts with 1/4" bolt plates through access hole at end of frame and into the two (2) rearmost existing holes, both sides.
3. Raise the side brackets into position, lining up hole 1 in bracket with rearmost carriage bolt. Loosely install a 7/16" conical washers and hex nuts on the bolts. Repeat for other side.
NOTE: Do not tighten carriage bolt at hole location 2 until heat shield is reinstalled. (Step 6)
4. Using hole 4 in side bracket as a guide, drill a 1/2" hole in the frame. Install a 7/16 x 1-3/4" carriage bolt with a 1/4" bolt plate through access hole and into drilled hole. Place tapered block and 3/16" spacer between frame and bracket. Install a 7/16" conical washer and hex nut on the bolt. Both Sides.
5. Install center section per **SIDE BRACKET LOCATION 3**. (See page 3.)
6. To trim heat shield, cut a 3/4" wide slot approximately 11" long as shown in picture. Drill 1/2" hole in shield 3-7/8" from existing hole in shield. Temporarily remove nut and washer from center carriage bolt. Reinstall heat shield around bracket. The center carriage bolt should line up with drilled hole in heat shield. Reinstall 7/16" conical washer and hex nut.

VEHICLES EQUIPPED WITH O.E.M. TRAILER HITCH

1. Remove heat shield on 2002 and earlier models.
2. Enlarge forward slot in bottom of frame to fit the 1/4" x 1 x 2" bolt plates, both sides.
3. Raise the side brackets into position, lining up hole 1 in bracket with rearmost existing weldnut. Loosely install 12mm hex bolt with 1/2" lock washer and flat washer, both sides as shown.
4. Using holes 2 and 4 in side bracket as a guide, drill a 1/2" hole in the frame. Use pull wire to install 7/16 x 1-3/4 carriage bolts with 1/4" bolt plates through access hole and into drilled holes. Install a 7/16" conical washer and hex nut on the bolt. Both Sides.
NOTE: Do not tighten carriage bolt at hole location 2 until heat shield is reinstalled. (Step 6 above)
5. See steps 5 & 6 above for final installation information.

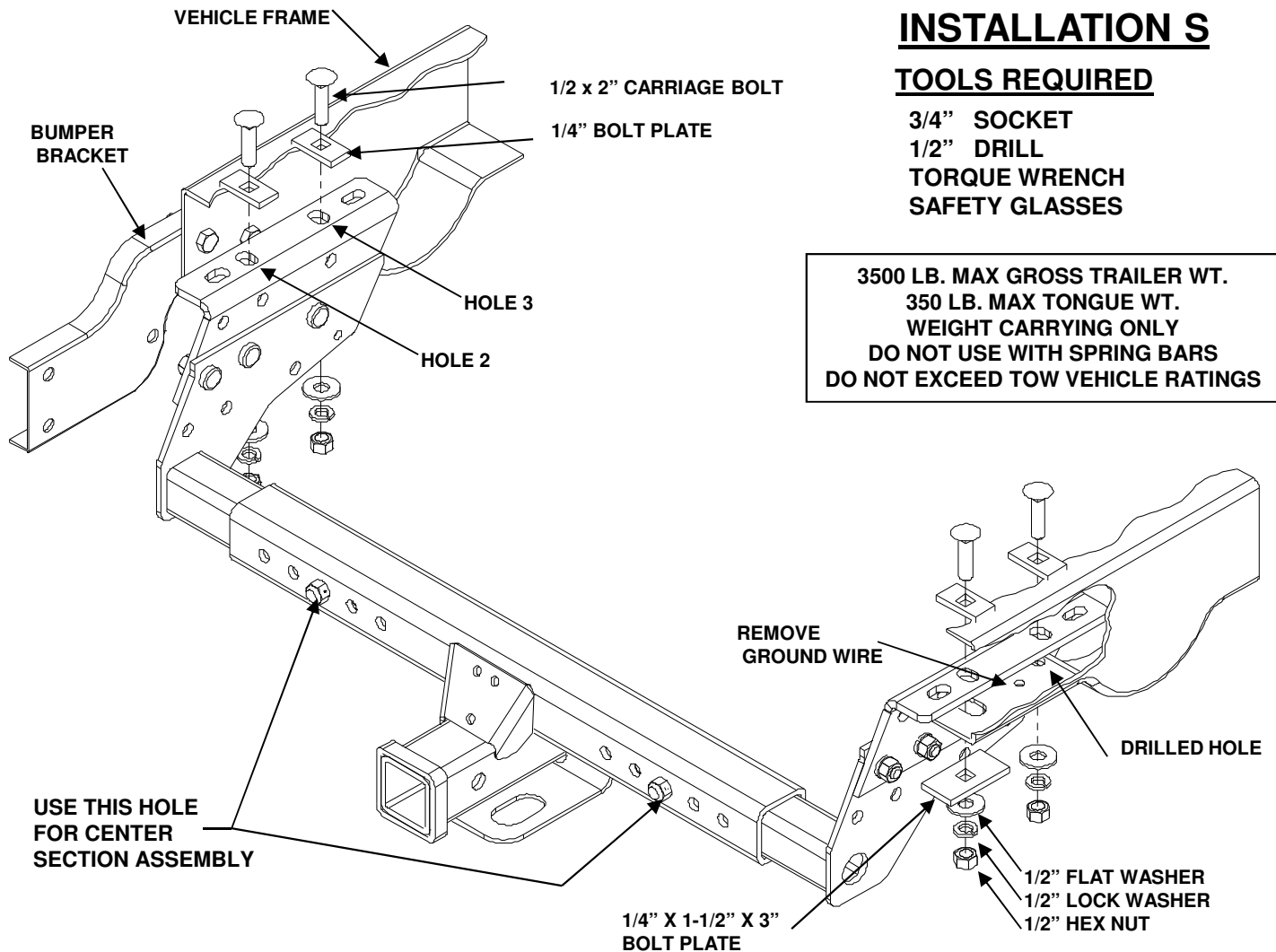
REFER TO SIDE BRACKET LOCATION INSTRUCTIONS FOR PROPER BOLT TIGHTENING SEQUENCE

INSTALLATION S

TOOLS REQUIRED

**3/4" SOCKET
1/2" DRILL
TORQUE WRENCH
SAFETY GLASSES**

**3500 LB. MAX GROSS TRAILER WT.
350 LB. MAX TONGUE WT.
WEIGHT CARRYING ONLY
DO NOT USE WITH SPRING BARS
DO NOT EXCEED TOW VEHICLE RATINGS**



NOTE:

General assembly - loosely assemble center section (page 1); loosely install side brackets on vehicle (this page); install center section assembly (page 2-3); tighten all fasteners to proper specifications (page 1)

2001-04 CHEVROLET S-10/GMC S-15 SHORT BED (4 X 4 ONLY) AND CREW CAB 1998-2000 ISUZU HOMBRE SHORT BED (4 X 4 ONLY)

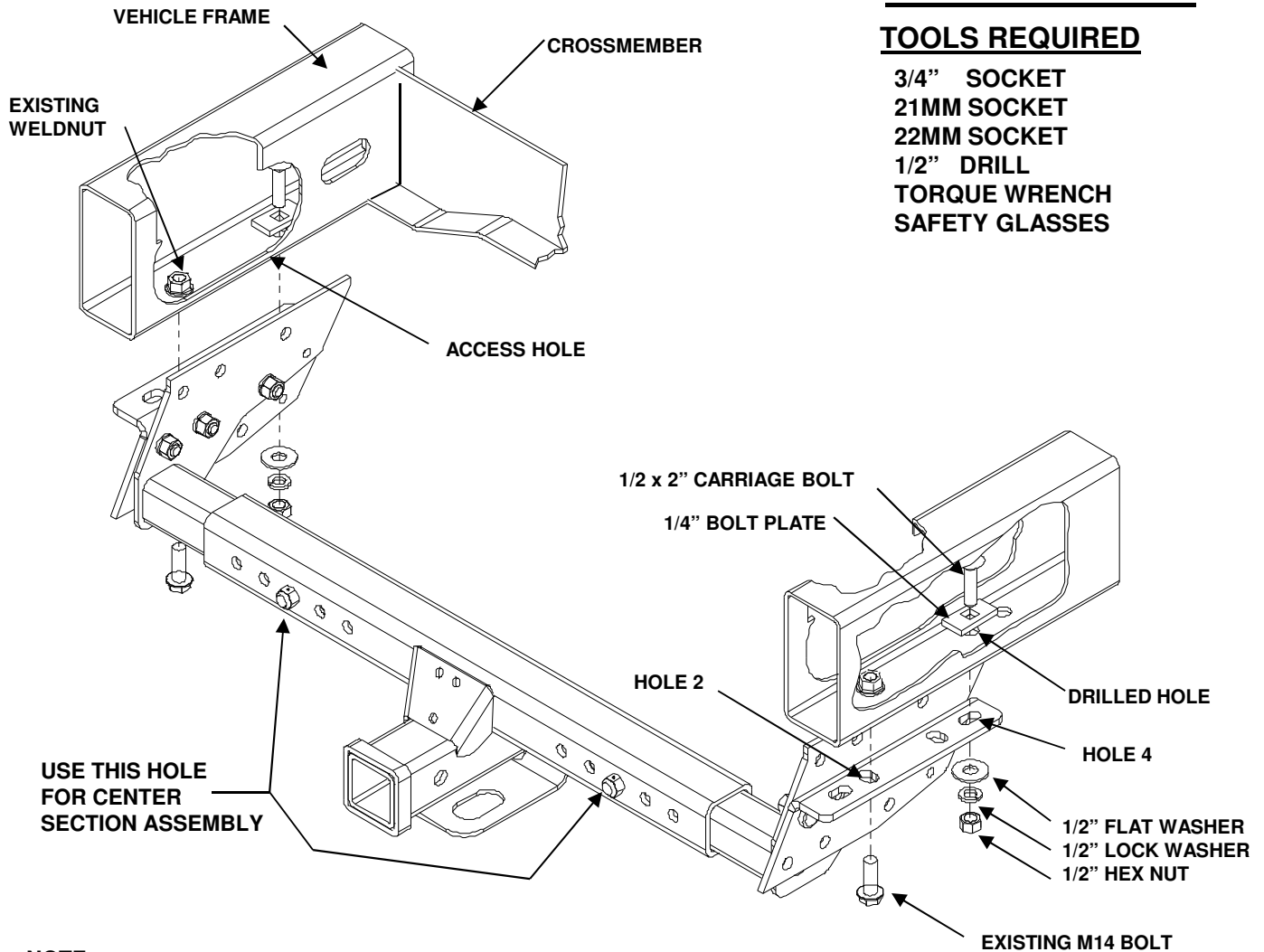
- 1. Disconnect ground wire from bottom surface of passenger's side frame.**
- 2. Raise side brackets into position. Place the mounting tab of brackets on top of frame as shown. Line up hole 2 in bracket with large hole near end of frame.**
- 3. Install 1/2" x 2" carriage bolt with 1/4" bolt plate down through hole 2 in side bracket and large hole in end of frame. Place 1/4" x 1-1/2" x 3" block on carriage bolt and loosely install 1/2" flat washer, lock washer and hex nut.**
- 4. Measure 3-3/4" forward from the center of carriage bolt and drill a 1/2" hole in the bottom of frame.
NOTE: The drilled hole should line up with hole 3 of side bracket.**
- 5. Install 1/2" x 2" carriage bolt with 1/4" bolt plate down through hole 3 in side bracket and drilled hole in bottom of frame. Loosely install 1/2" flat washer, lock washer and hex nut, both sides.**
- 6. Install center section per SIDE BRACKET LOCATION 3. (See page 3.)**
- 7. Reattach ground wire to one of the unused holes in side bracket or plate.**

REFER TO SIDE BRACKET LOCATION INSTRUCTIONS FOR PROPER BOLT TIGHTENING SEQUENCE

INSTALLATION T

TOOLS REQUIRED

3/4" SOCKET
21MM SOCKET
22MM SOCKET
1/2" DRILL
TORQUE WRENCH
SAFETY GLASSES



NOTE:

General assembly - loosely assemble center section (page 1); loosely install side brackets on vehicle (this page); install center section assembly (page 2-3); tighten all fasteners to proper specifications (page 1)

2000-06 CHEVROLET SUBURBAN, TAHOE, GMC YUKON, YUKON XL - EXCEPT 03-06 DENALI

1. Remove the existing 14mm bolt from the bottom of frame, both sides.
2. Raise the side brackets into position, lining up hole 2 in bracket with existing weldnut. Loosely reinstall the 14mm bolts removed in step 1.
3. Using hole 4 in side bracket as a guide, drill a 1/2" hole in the frame. Install a 1/2" x 2" carriage bolt with a 1/4" bolt plate through access hole and into drilled hole. Install a 1/2" flat washer, lock washer, and hex nut on the bolt. Repeat for the other side.
4. Install center section per SIDE BRACKET LOCATION 4. (See page 3.)

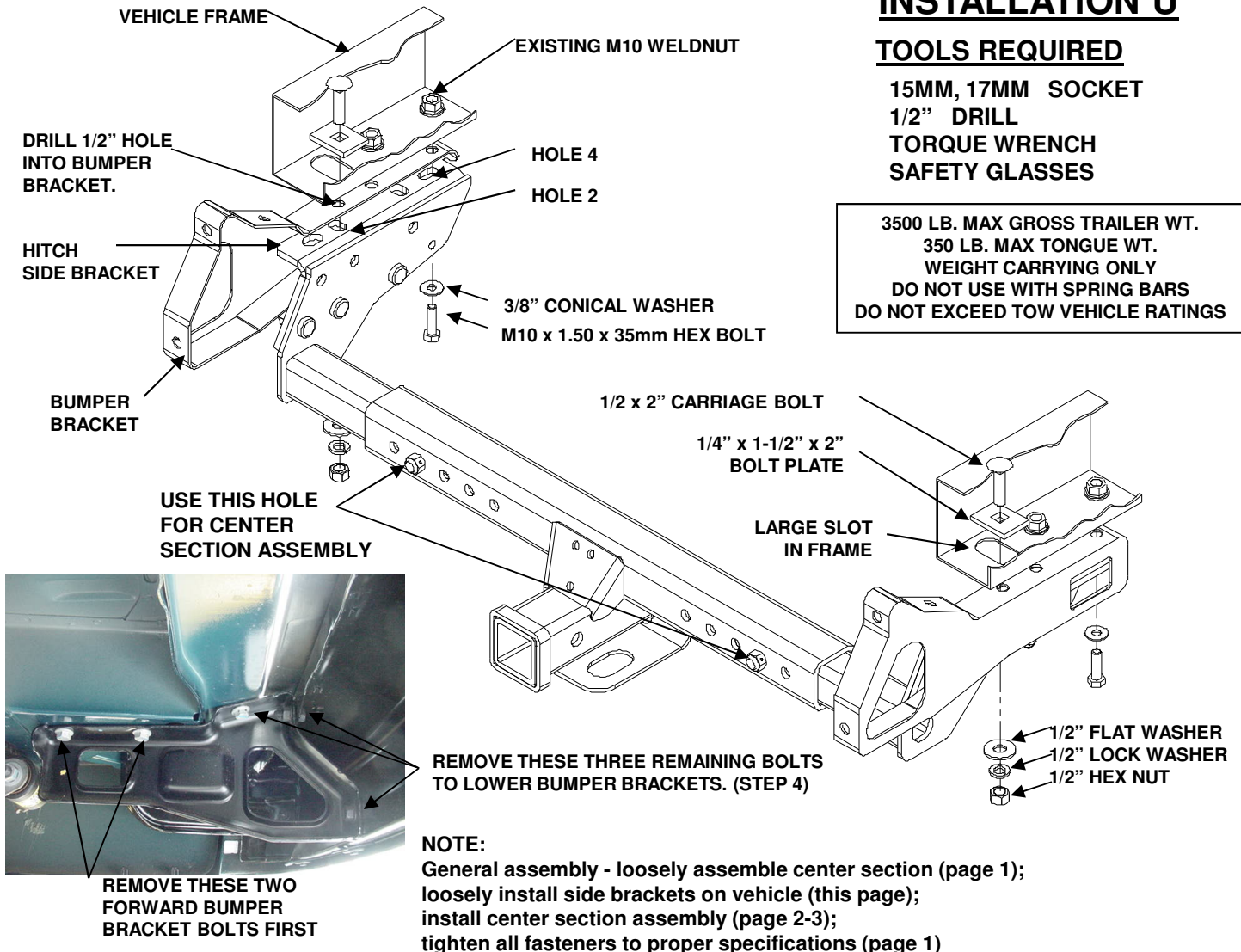
REFER TO SIDE BRACKET LOCATION INSTRUCTIONS FOR PROPER BOLT TIGHTENING SEQUENCE

INSTALLATION U

TOOLS REQUIRED

15MM, 17MM SOCKET
1/2" DRILL
TORQUE WRENCH
SAFETY GLASSES

3500 LB. MAX GROSS TRAILER WT.
350 LB. MAX TONGUE WT.
WEIGHT CARRYING ONLY
DO NOT USE WITH SPRING BARS
DO NOT EXCEED TOW VEHICLE RATINGS



1990-2005 CHEVROLET ASTRO & GMC SAFARI VAN (EXTENDED MODELS ONLY)

1. Remove the two (2) forward bumper bracket bolts and return to vehicle owner, both sides.
2. Raise hitch side brackets into position, aligning hole 4 in bracket with the forward most weldnut in frame. Install the supplied M10 hex bolt with 3/8" conical washer into weldnut in frame, finger tight.
3. Make sure hitch side brackets are parallel to the frame and mark hole 2 in hitch bracket onto vehicle bumper brackets. Remove the M10 bolts and washers and lower side brackets temporarily.
4. Remove the three (3) remaining bolts from bumper bracket bolts and remove bumper brackets from vehicle. (Save bolts for reinstallation in step 6.) Drill a 1/2" hole into bumper brackets at the marked location.
5. Install 1/2" x 2" carriage bolt with 1/4" x 1-1/2" x 2" bolt plate into large slot in frame, both sides, as shown.
6. Line up the drilled hole in bumper bracket over carriage bolt and reinstall the bumper brackets using the three (3) bolts removed in step 4.
7. Raise hitch side brackets back into position, aligning hole 2 with the carriage bolt and loosely install the 1/2" flat washers, 1/2" lock washers, and hex nuts. Reinstall the supplied M10 hex bolt with 3/8" conical washer into the forward weldnut in frame.
8. Install center section per SIDE BRACKET LOCATION 2. (See page 2.)

REFER TO SIDE BRACKET LOCATION INSTRUCTIONS FOR PROPER BOLT TIGHTENING SEQUENCE

37152/37136 APPLICATION CHART

MODEL YEARS

MAKE & MODEL	82	83	84	85	86	87	88	89	90	91	92	93	94	95	96	97	98	99	00	01	02	03	04	05	06	07
CHEVROLET ASTRO (EXTENDED ONLY) *									U	U	U	U	U	U	U	U	U	U	U	U	U	U	U	U	U	
CHEVROLET BLAZER											A	A	A													
CHEVROLET FULL SIZE VAN															P	P	P	P	P	P	P	P	P	P	P	P
CHEVROLET S-10 PICK UP CREW CAB *																				S	S	S	S			
CHEVROLET S-10 PICK UP LONG BED		C	C	C	C	C	C	C	C	C	C	C	C	C	C	C	C	C	C	C	C	C	C	C	C	C
CHEVROLET S-10 PICK UP SHORT BED 4 X 4 ONLY *																	S	S	S	S	S	S	S			
CHEVROLET SUBURBAN											A	A	A	A	A	A	A	A	T	T	T	T	T	T	T	T
CHEVROLET TAHOE													A	A	A	A	A	T	T	T	T	T	T	T	T	T
CHRYSLER TOWN & COUNTRY (except stow & go seats)									A	A	A	A	A	A	B	B	B	B	B	B	B	B	B	B	B	B
CHRYSLER VOYAGER																				B	B	B				
DODGE CARAVAN (except stow & go seats)			A	A	A	A	A	A	A	A	A	A	A	A	B	B	B	B	B	B	B	B	B	B	B	B
DODGE DAKOTA (LONG BED)					A	A	A	A	A	A	A	A	A	A	A	A	A									
DODGE DAKOTA (SHORT BED)					G	G	G	G	G	G	G	G	G	G	G	G	G	G	G	G	G	G	G	G	G	G
DODGE DAKOTA QUAD CAB																				G	G					
DODGE RAMCHARGER		C	C	C	C	C	C	C	C	C	C	C	C													
FORD AEROSTAR (EXTENDED ONLY)					I	I	I	I	I	I	I	I	I	I	I	I										
FORD BRONCO		A	A	A	A	A	A	A	A	A	A	A	A	A	A											
FORD BRONCO II			M	M	M	M	M	M	M																	
FORD ESCAPE																					R	R	R	R		
FORD RANGER (NOT 98-07 FLARE SIDE)		F	F	F	F	F	F	F	F	F	F	F	F	F	F	F	F	F	F	F	F	F	F	F	F	F
FORD WINDSTAR *																			Q	Q	Q	Q	Q			
GMC FULL SIZE VAN															P	P	P	P	P	P	P	P	P	P	P	P
GMC SONOMA PICK UP CREW CAB *																				S	S	S	S			
GMC S-15 & SONOMA LONG BED		C	C	C	C	C	C	C	C	C	C	C	C	C	C	C	C	C	C	C	C	C	C	C	C	C
GMC S-15 & SONOMA SHORT BED 4 X 4 ONLY *																			S	S	S	S	S	S	S	S
GMC SAFARI (EXTENDED ONLY) *									U	U	U	U	U	U	U	U	U	U	U	U	U	U	U	U	U	U
GMC SUBURBAN											A	A	A	A	A	A	A									
GMC YUKON & YUKON XL											A	A	A	A	A	A	A	T	T	T	T	T	T	T	T	T
ISUZU HOMBRE SHORT BED 4 X 4 ONLY *																		S	S	S						
JEEP CHEROKEE, XJ		I	I	I	I	I	I	I	I	I	I	I	I	I	I	J	J	J	J							
JEEP GRAND CHEROKEE											K	K	K	K	K	K										
JEEP LIBERTY																					L	L	L	L	L	L
MAZDA PICK UP (NOT 98-07 FLARE SIDE)									E	E	E	E	F	F	F	F	F	F	F	F	F	F	F	F	F	F
MAZDA TRIBUTE																					R	R	R	R		
NISSAN PICK UP & FRONTIER (W/56" BEDS)						C	C	C	C	C	C	C	C	C	C	C	C	C	C	C	C	C	C	C	C	C
NISSAN PICK UP & FRONTIER (W/75" BEDS)						H	H	H	H	H	H	H	H	H	H	H	H	H	H	H	H	H	H	H	H	H
PLYMOUTH VOYAGER ALL		A	A	A	A	A	A	A	A	A	A	A	A	A	B	B	B	B	B							

* = 3500 LB. MAX GROSS TRAILER WEIGHT AND 350 LB. MAX TONGUE WEIGHT - DO NOT EXCEED TOW VEHICLE RATINGS WEIGHT CARRYING ONLY - DO NOT USE WITH WEIGHT DISTRIBUTING SPRING BARS. APPLY LOAD RATING LABEL #110990 TO CROSSTUBE AS SHOWN ON PAGE 1.

THIS PRODUCT COMPLIES WITH SAFETY SPECIFICATION AND REQUIREMENTS FOR THE STATE OF NEW YORK AND VESC REGULATION V-5 FOR CONNECTING DEVICES AND TOWING SYSTEMS. WEIGHT DISTRIBUTING HITCH RATING IS 6000 LB. MAX. GROSS TRAILER WEIGHT AND 600 LB. MAX. TONGUE WEIGHT. WEIGHT CARRYING HITCH RATING IS 5000 LB MAX GROSS TRAILER WEIGHT AND 500 LB MAX TONGUE WEIGHT. CONSULT VEHICLE OWNERS MANUAL FOR TOWING RECOMMENDATIONS AND LIMITATIONS.

LIMITED WARRANTY

This limited warranty covers products produced by either Cequent Consumer Products, Inc., or Cequent Towing Products, Inc. (herein collectively "Cequent"). Cequent warrants its Hitches, custom Hitch Receivers, and Sway Controls from date of purchase against defects in material and workmanship under normal use and service, ordinary wear and excepted, for the ownership life of the original consumer purchaser. Cequent will replace FREE OF CHARGE any part which proves defective in material or workmanship when presented to any Cequent dealer, Cequent Warehouse or return to factory. TRANSPORTATION CHARGES PREPAID, at the address below. THIS WARRANTY IS LIMITED TO DEFECTIVE PARTS REPLACEMENT ONLY. LABOR CHARGES AND/OR DAMAGE INCURRED IN INSTALLATION OR REPLACEMENT AS WELL AS INCIDENTAL AND CONSEQUENTIAL DAMAGES CONNECTED THEREWITH ARE EXCLUDED. Some states do not allow the exclusion or limitation of incidental or consequential damages, so the above limitation or exclusion may not apply to you. Any damage to the Hitch, Custom Hitch receiver or Sway Control as a result of misuse, abuse, neglect, accident, improper installation, or any use violative of instructions furnished by us, WILL VOID THE WARRANTY. This warranty gives you specific legal rights, and you may also have other rights which vary from state to state. In the event of a problem Cequent warrants its Hitches, Custom Hitch Receivers and Sway Controls from date of purchase against defects in material and workmanship under normal use and service, ordinary wear and tear excepted, for the ownership life of the original consumer purchaser. With warranty service or performance, you may be able to go to a small claims court, a state court, or a federal district court.

Towing Products
27070 Miles Rd,
Solon, OH 44139.

CONSIGNES D'INSTALLATION

PETIT PICK-UP MULTI-FIT

Produit N°

37152

37136

Cequent Products

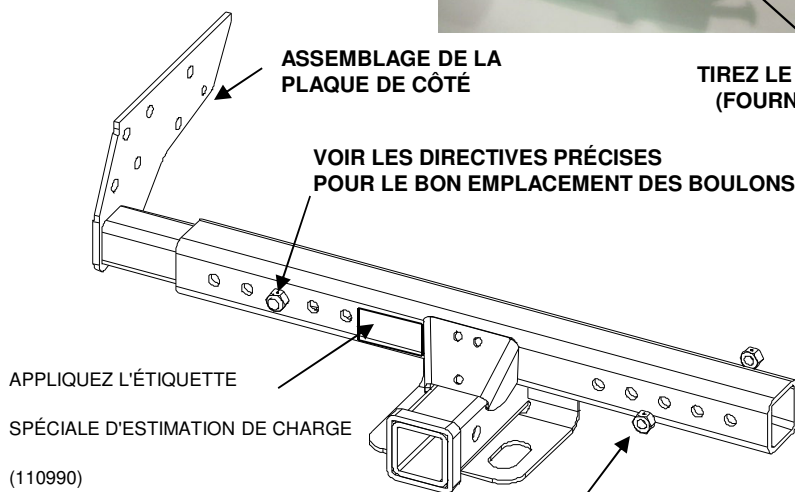
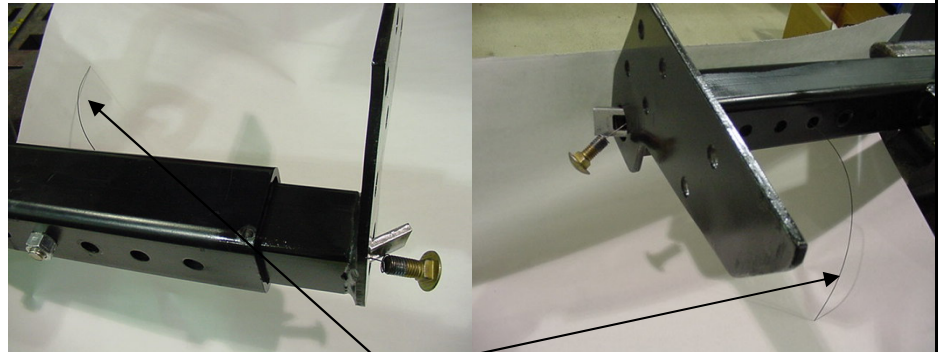
PAQUETS DE PETITES PIÈCES
EMBALLAGE 37620

AVERTISSEMENT : NE PAS LUBRIFIER LES FILETS, SERRER EXCESSIVEMENT LES BOULONS POURRAIT LES ENDOMMAGER.
AVERTISSEMENT : NE PAS PERCER, NI SOUDER CET ATTELAGE.

NOTES IMPORTANTES
UTILISER SEULEMENT LES BOULONS, ÉCROUS ET RONDELLES FOURNIS OU APPROUVÉS PAR REESE POUR INSTALLER CET ATTELAGE

OUTILS REQUIS

CLÉ ET DOUILLE 3/4" (19MM)
CLÉ ET DOUILLE 11/16" (17MM)
CLÉ ET DOUILLE 9/16" (14MM)
DOUILLE 15MM, 17MM
DOUILLE 18MM, 19MM
DOUILLE 21MM, 22MM
CLÉ DYNAMOMÉTRIQUE
LUNETTES DE SÉCURITÉ
CLÉ TORX T50



TIREZ LE FIL
(FOURNI)

**LES (4) BOULONS SONT
OBLIGATOIRES**

LE BOULON DU DEVANT EST
À UN TROU DU BORD

**VUE DE DESSUS DE
L'ATTELAGE**

TROU
D'ACCÈS

INSTALLER LE BOULON DU CÔTÉ ARRIÈRE EN PREMIER

ASSEMBLAGE DE LA SECTION CENTRALE

BOULON MÉCANIQUE 1/2" (12,7mm) x 1,25 (32mm) LG.
PLAQUE DE BOULON 1/4" (6mm) x 1" (25mm) x 2" (50mm)
ÉCROU AUTOBLOQUANT HEXAGONAL 1/2 (12,7mm)

CONSIGNES GÉNÉRALES :

1. Insérer les plaques de côté dans la section centrale de l'attelage. Consulter les directives spécifiques pour le bon emplacement des boulons. Insérer le bout enroulé du câble de traction dans le bon trou du côté arrière de la section centrale et à travers le trou d'accès de la plaque. Fixer la plaque de boulon 1/4" (6mm) et le boulon mécanique 1/2 (12,7mm) x 1-1/4 LG (32mm) comme indiqué ci-dessus. Passer les attaches à travers et installer, sans serrer, les écrous autobloquants hexagonaux 1/2-12,7 (12,7mm). Refaire les étapes pour chaque attache. Vous devrez peut-être abaisser la roue de secours pour installer la section centrale de l'attelage. Elle sera remise en place plus tard.
2. Consulter le tableau d'utilisation pour déterminer l'installation pour votre véhicule. (Dernière page de chaque langue).

POUR TOUTES LES INSTALLATIONS :

1. Serrer les écrous 3/8" (10mm) au couple 35 lb pi (48 Nm).
2. Serrer tous les écrous et boulons 12mm au couple 65 lb pi (88 Nm).
3. Serrer toutes les pièces 7/16" (11mm) au couple 50 lb pi (68 Nm).
4. Serrer toutes les pièces 1/2" (12,7mm) au couple 75 lb pi (102 Nm).
5. Serrer toutes les pièces 10mm CL10.9 au couple 53 lb pi (72 Nm).
6. Serrer toutes les pièces Torx 10mm au couple 60 lb pi (81 Nm).
7. Serrer toutes les pièces 5/8" (16mm) au couple 100 lb pi (136 Nm).
8. Resserrer la roue de secours si elle a été dévissée.

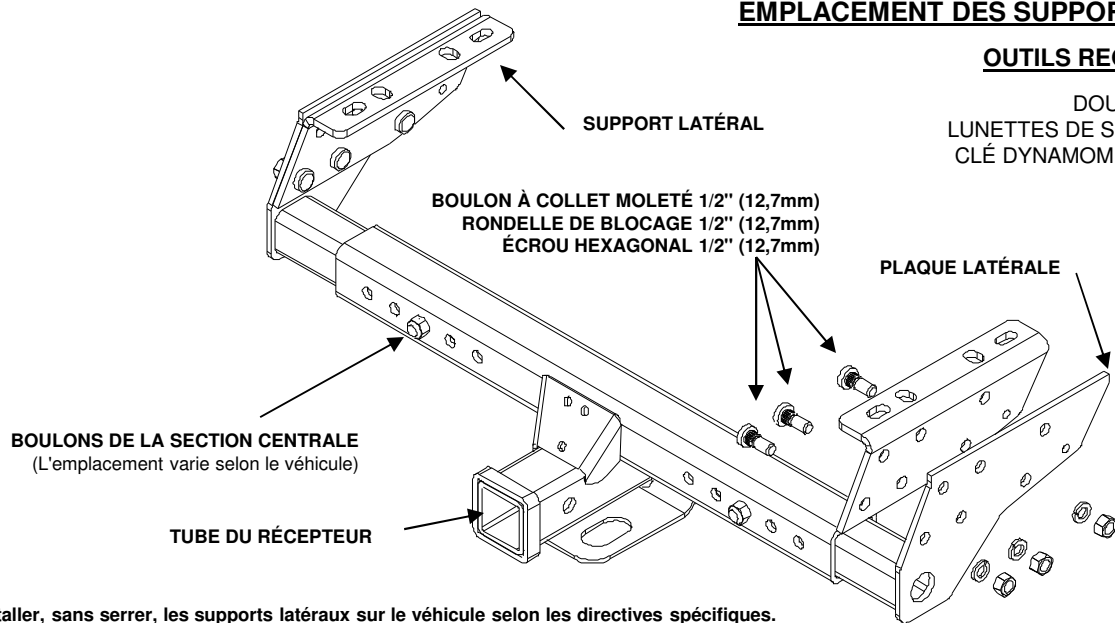
REMARQUE : La quincaillerie ne sera pas toujours tout utilisée selon l'installation. Peindre le métal nu pour éviter la rouille.

**Pour obtenir de l'assistance technique, consultez notre site Web à
www.cequentgroup.com ou composez le 1-800-234-6992**

EMPLACEMENT DES SUPPORTS

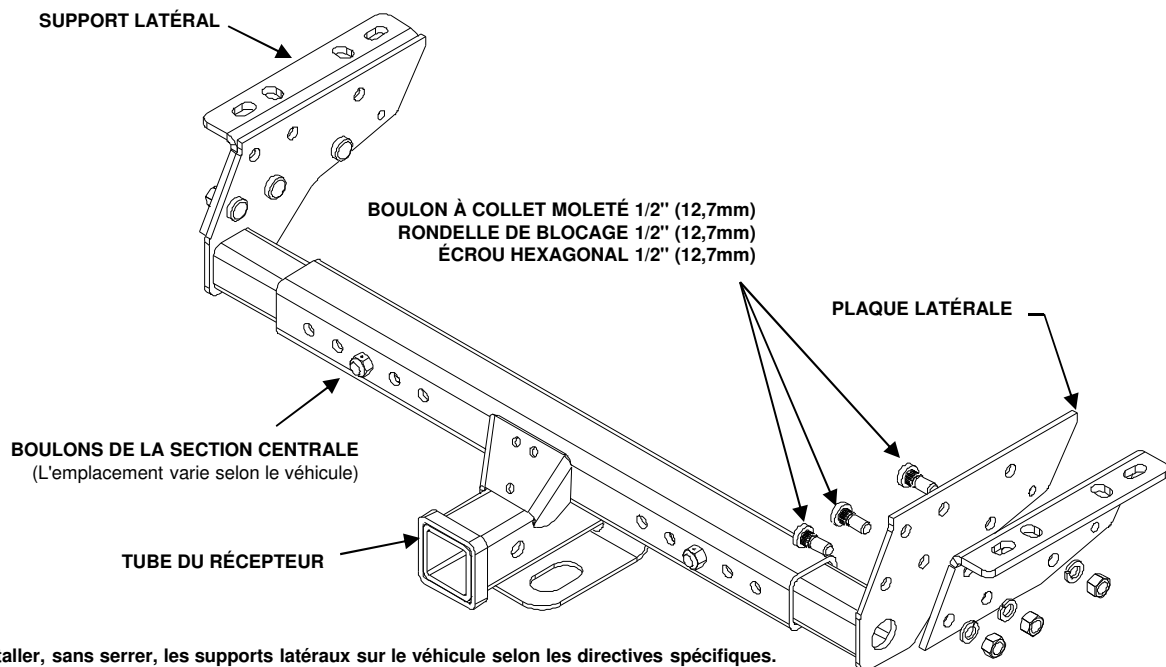
OUTILS REQUIS

DOUILLE 3/4"
LUNETTES DE SÉCURITÉ
CLÉ DYNAMOMÉTRIQUE



1. Installer, sans serrer, les supports latéraux sur le véhicule selon les directives spécifiques.
Aligner les trous de la plaque latérale avec ceux du support latéral comme indiqué.
2. Installer les boulons à collet moleté 1/2" (12,7mm), les rondelles de blocage 1/2" (12,7mm), les écrous hexagonaux 1/2" (12,7mm).
3. Premièrement - serrer les boulons à collet moleté au couple 90 lb pi (122 Nm) pour asseoir le boulon, ensuite desserrer et resserrer à 75 lb pi (102 Nm).
4. Deuxièmement - serrer les attaches des supports de côté selon les directives.
(Consulter les consignes générales de la page 1 pour les spécifications.)
5. Centrer le tube du récepteur sur le véhicule et serrer les attaches de la section centrale au couple 75 pi lb (102 Nm).

EMPLACEMENT DES SUPPORTS LATÉRAUX 1.



1. Installer, sans serrer, les supports latéraux sur le véhicule selon les directives spécifiques.
Aligner les trous de la plaque latérale avec ceux du support latéral comme indiqué.
2. Installer les boulons à collet moleté 1/2" (12,7mm), les rondelles de blocage 1/2" (12,7mm), les écrous hexagonaux 1/2" (12,7mm).
3. Premièrement - serrer les boulons à collet moleté au couple 90 lb pi (122 Nm) pour asseoir le boulon, ensuite desserrer et resserrer à 75 lb pi (102 Nm).
4. Deuxièmement - serrer les attaches des supports de côté selon les directives.
(Consulter les consignes générales de la page 1 pour les spécifications.)
5. Centrer le tube du récepteur sur le véhicule et serrer les attaches de la section centrale au couple 75 pi lb (102 Nm).

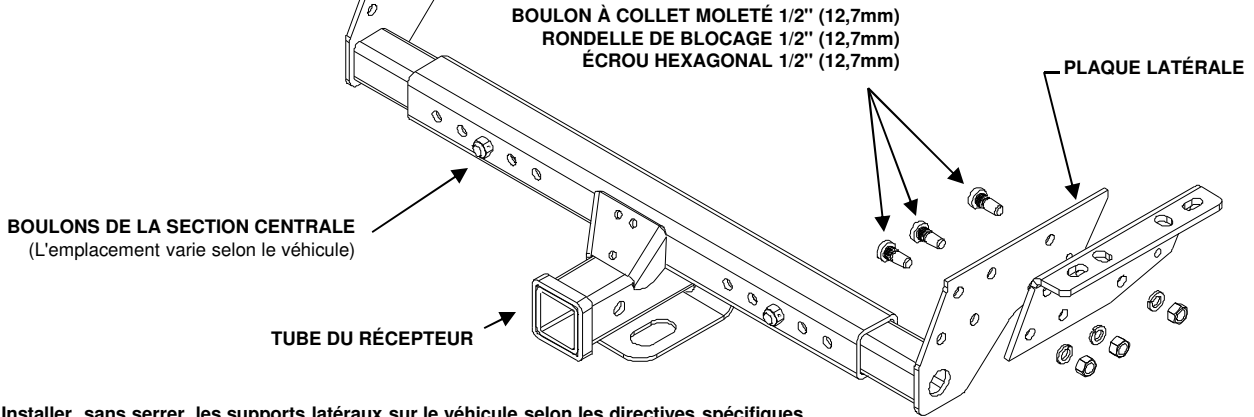
EMPLACEMENT DES SUPPORTS LATÉRAUX 2.

SUPPORT LATÉRAL

EMPLACEMENT DES SUPPORTS

OUTILS REQUIS

DOUILLE 3/4 (19MM)
LUNETTES DE SÉCURITÉ
CLÉ DYNAMOMÉTRIQUE



1. Installer, sans serrer, les supports latéraux sur le véhicule selon les directives spécifiques.
Aligner les trous de la plaque latérale avec ceux du support latéral comme indiqué.
2. Installer les boulons à collet moleté 1/2" (12,7mm), les rondelles de blocage 1/2" (12,7mm), les écrous hexagonaux comme indiqué.
3. Premièrement - serrer les boulons à collet moleté au couple 90 lb pi (122 Nm) pour asseoir le boulon, ensuite desserrer et resserrer à 75 lb pi (102 Nm).
4. Deuxièmement - serrer les attaches des supports de côté selon les directives.
(Consulter les consignes générales de la page 1 pour les spécifications.)
5. Centrer le tube du récepteur sur le véhicule et serrer les attaches de la section centrale au couple 75 pi lb (102 Nm).

EMPLACEMENT DES SUPPORTS LATÉRAUX 3.

SUPPORT LATÉRAL

BOULON À COLLET MOLETÉ 1/2" (12,7mm)
RONDELLE DE BLOCAGE 1/2" (12,7mm)
ÉCROU HEXAGONAL 1/2" (12,7mm)

PLAQUE LATÉRALE

BOULONS DE LA SECTION CENTRALE
(L'emplacement varie selon le véhicule)

TUBE DU RÉCEPTEUR

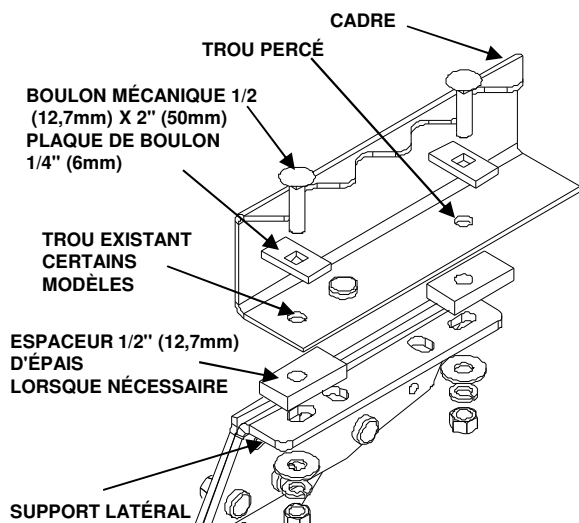
1. Installer, sans serrer, les supports latéraux sur le véhicule selon les directives spécifiques.
Aligner les trous de la plaque latérale avec ceux du support latéral comme indiqué.
2. Installer les boulons à collet moleté 1/2" (12,7mm), les rondelles de blocage 1/2" (12,7mm), les écrous hexagonaux 1/2" (12,7mm).
3. Premièrement - serrer les boulons à collet moleté au couple 90 lb pi (122 Nm) pour asseoir le boulon, ensuite desserrer et resserrer à 75 lb pi (102 Nm).
4. Deuxièmement - serrer les attaches des supports de côté selon les directives.
(Consulter les consignes générales de la page 1 pour les spécifications.)
5. Centrer le tube du récepteur sur le véhicule et serrer les attaches de la section centrale au couple 75 pi lb (102 Nm).

EMPLACEMENT DES SUPPORTS LATÉRAUX 4.

OUTILS REQUIS

DOUILLE 3/4" (19MM) PERCEUSE 1/2" (12,7MM)
CLÉ DYNAMOMÉTRIQUE ET LUNETTES DE SÉCURITÉ

INSTALLATION A



CARAVAN / VOYAGER / TOWN & COUNTRY 84-95

1. Installer les boulons mécaniques 1/2" (12,7mm) avec les plaques de boulon dans les trous existants au bas du cadre. en utilisant le grand trou d'accès au bas du cadre. Fixer les supports latéraux sur le cadre, en insérant les boulons dans les trous 1 et 4.
2. Si la camionnette date d'avant 1989, vous aurez à percer 4 trous. Après le perçage du trou 4, enlever le support. Visser un boulon mécanique sur le fil de traction. Mettre une plaque de boulon sur le boulon. Insérer le bout libre du fil de traction dans le trou d'accès du cadre. Le ressortir par le trou que vous venez de percer. Passer le boulon par le trou. Dévisser le fil et faire la même chose pour l'autre côté.

REMARQUE : Certains modèles nécessiteront que l'écrou à embase, à la base du cadre, soit un peu replié vers le haut. Ceci permettra que l'attelage soit installé de façon correcte.

3. Mettre le support par-dessus les boulons et installer des rondelles plates 1/2" (12,7mm), rondelles de blocage 1/2" (12,7mm), et des écrous sur les boulons.
4. Installer la section centrale selon L'EMPLACEMENT DU SUPPORT LATÉRAL 1. (Voir page 2).

REMARQUE :
Montage général -
Assembler, sans serrer, la section centrale (page 1) ;
Installer, sans serrer, les supports latéraux sur le véhicule (cette page) ;
Installer l'assemblage de la section centrale (page 2-3) ;
Serrer les attaches selon les directives (page 1).

UTILISER CE TROU POUR L'ASSEMBLAGE DE LA SECTION CENTRALE

TROU 1

TROU 4

RONDELLE PLATE 1/2" (12,7mm)
RONDELLE DE BLOCAGE 1/2" (12,7mm)
ÉCROU HEXAGONAL 1/2" (12,7mm)

FORD BRONCO (GRAND) 82-96

1. Mettre les supports latéraux près de l'extrémité du cadre, aligner le bord arrière du support avec la fin du cadre. Mettre des espaceurs 1/2" (12,7mm) d'épais entre le cadre et les trous 1 et 4. Fixer pour maintenir en place. Percer des trous de 1/2" (12,7mm) dans le cadre en vous servant des trous 1 et 4 comme repère. Installer un boulon mécanique 1/2" (12,7mm) avec une plaque de boulon en passant dans le cadre et à travers le trou 1.
2. Visser un boulon mécanique sur le fil de traction. Mettre une plaque de boulon sur le boulon. Pousser le bout libre du fil de traction par-dessus le haut du cadre et en bas entre le réservoir à essence et le cadre. Passer le fil à travers le trou 4 et faire sortir le boulon par le trou. Installer des rondelles plates 1/2" (12,7mm), rondelles de blocage et des écrous sur tous les boulons.
3. Pour le Bronco 94, avancer l'attelage pour libérer le pare-choocs et installer l'attelage à cet endroit.
4. Installer la section centrale selon L'EMPLACEMENT DU SUPPORT LATÉRAL 1. (Voir page 2).

DAKOTA CAISSE LONGUE 1986-99

1. Centrer les supports latéraux sur le cadre près de l'extrémité, aligner le bord arrière du support avec l'extrémité du cadre. Fixer en place les supports latéraux. Utiliser les trous du support comme guide, percer un trou de 1/2" (12,7mm) dans le cadre à travers les trous 1 et 4. Insérer les boulons mécaniques 1/2" (12,7mm) avec les plaques de boulon en passant dans le cadre et à travers les trous 1 et 4. Installer des rondelles plates 1/2" (12,7mm), rondelles de blocage et des écrous sur les boulons mécaniques. Retirez les fixations.
2. Certains modèles nécessiteront des espaceurs 1/2" (12,7mm) entre le cadre et le support latéral.
3. Installer la section centrale selon L'EMPLACEMENT DU SUPPORT LATÉRAL 1. (Voir page 2).

CHEVROLET SUBURBAN 92-99, TAHOE 95-99, GMC YUKON 92-99, BLAZER (Grand) 92-94, GMC SUBURBAN 92-99

1. Soulever les supports latéraux vis-à-vis du cadre. Installer un espaceur 1/4" (6mm) d'épais sur l'un des boulons 1/2" (12,7mm). Insérer le boulon dans le trou existant du cadre et dans le trou 1. Installer une rondelle plate 1/2" (12,7mm), rondelle de blocage et un écrou hexagonal sur le boulon. Répéter pour l'autre côté.
2. Utiliser le trou 4 comme guide et percer un trou de 1/2" (12,7mm) dans le cadre. Installer un espaceur 1/4" (6mm) d'épais sur l'un des boulons 1/2" (12,7mm) et l'insérer dans le cadre et à travers le trou 4. Installer une rondelle plate 1/2" (12,7mm), rondelle de blocage et un écrou hexagonal sur le boulon. Répéter pour l'autre côté.
3. Certains modèles nécessiteront des espaceurs 1/2" (12,7mm) entre le cadre et le support latéral.
4. Installer la section centrale selon L'EMPLACEMENT DU SUPPORT LATÉRAL 1. (Voir page 2).

CONSULTER LES DIRECTIVES POUR L'EMPLACEMENT DU SUPPORT LATÉRAL POUR CONNAÎTRE LA SÉQUENCE ADÉQUATE DE SERRAGE DES BOULONS.

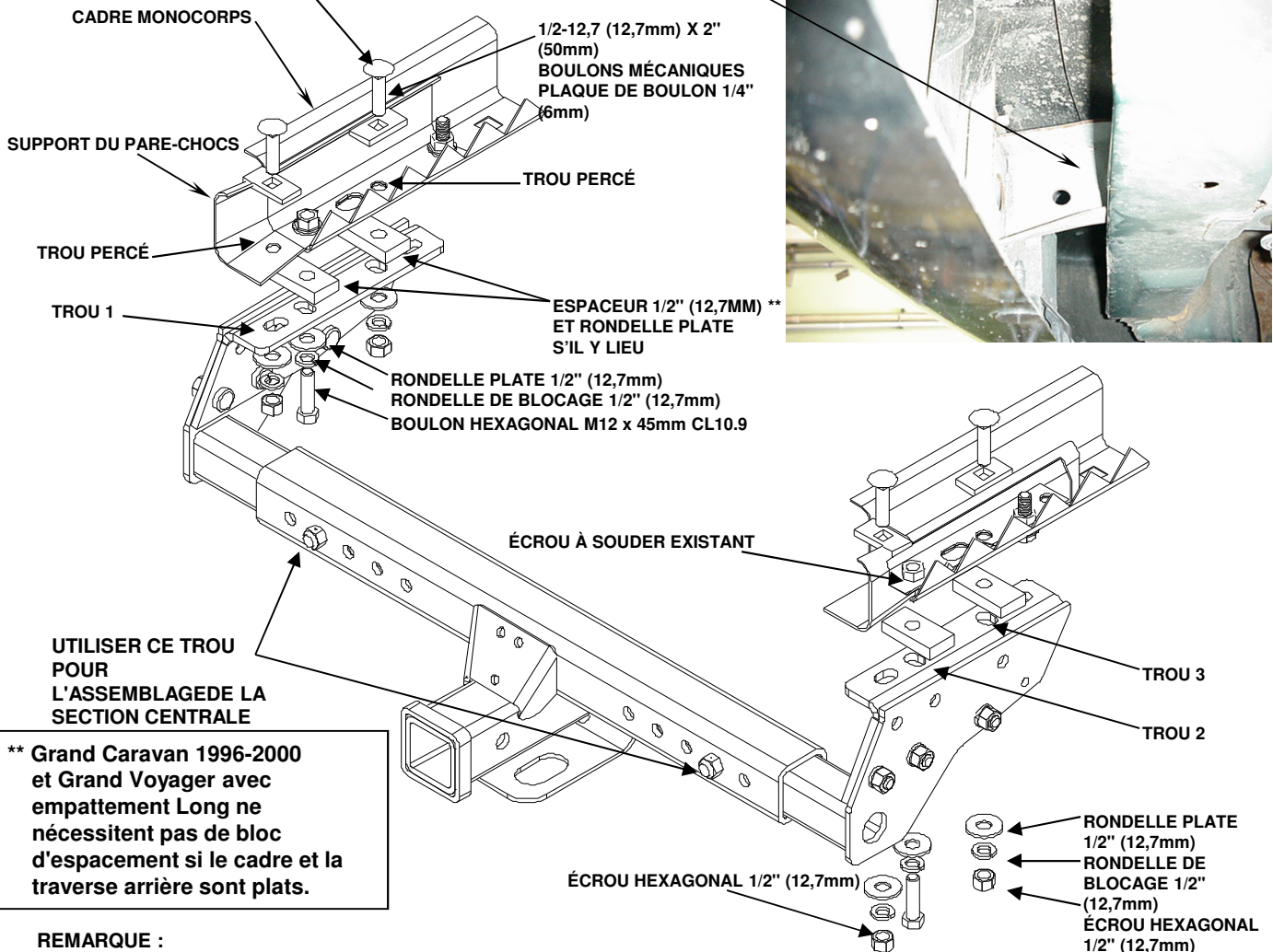
INSTALLATION B

OUTILS REQUIS

DOUILLE 3/4" , 18mm, 19mm
LUNETTES DE SÉCURITÉ
PERCEUSE 1/2 (12,7MM)
CLÉ DYNAMOMÉTRIQUE

INSTALLER LE BOULON MÉCANIQUE AVANT EN PREMIER

ACCÉDER À LA
QUINCAILLERIE PAR
L'EXTRÉMITÉ DU CADRE,
VIS-À-VIS LE SUPPORT DU
PARE-CHOCS



REMARQUE :

Montage général - assembler, sans serrer, la section centrale (page 1) ; installer, sans serrer, les supports latéraux sur le véhicule (cette page) ; installer l'assemblage de la section centrale (page 2-3) ; serrer toutes les attaches selon les directives (page 1).

VOYAGER 96-03, CARAVAN, et TOWN & COUNTRY 1996-2007 (EXCEPTÉ DES SIÈGES DE STOW & GO)

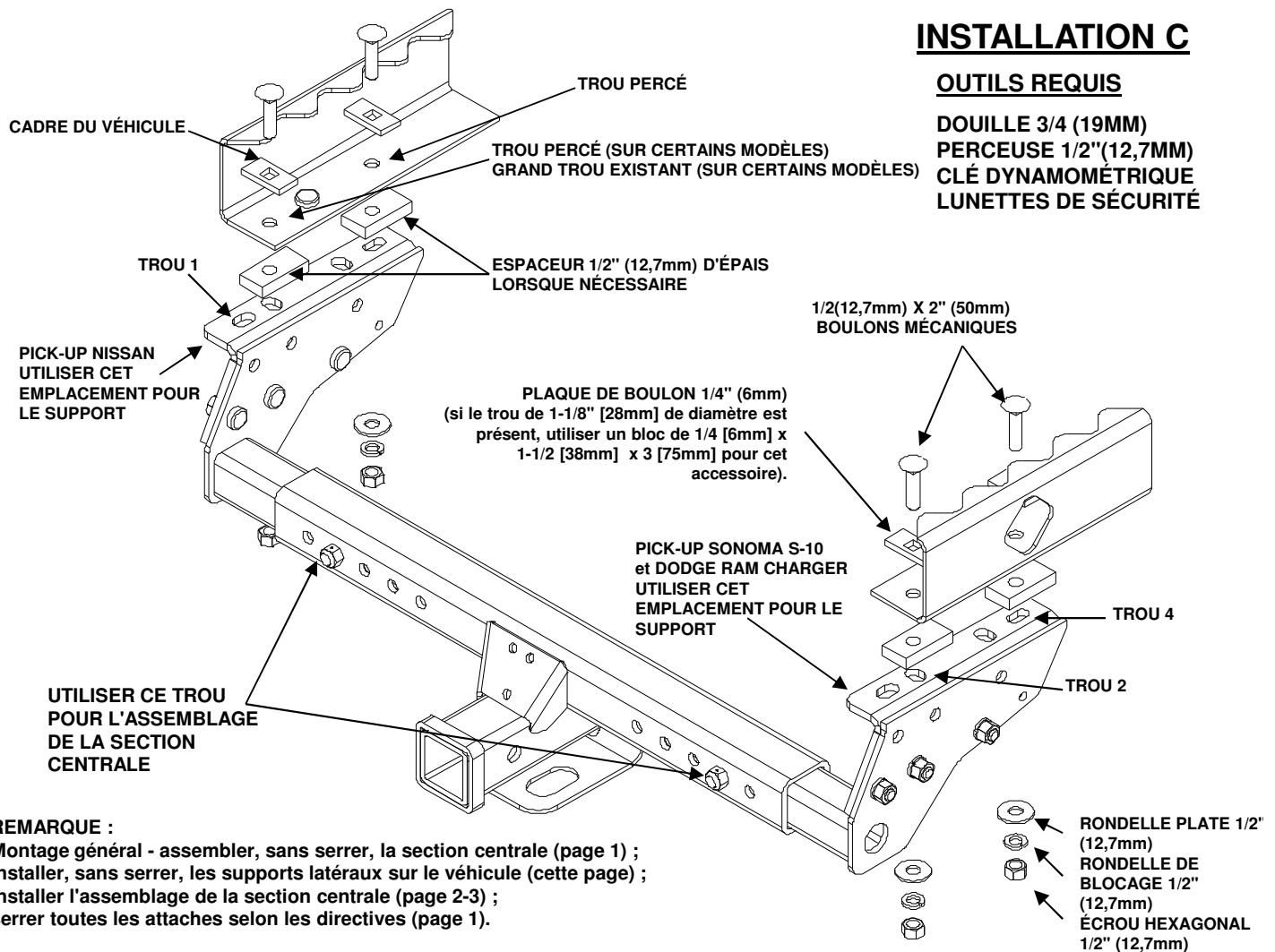
1. Enlever le dernier boulon hexagonal 12mm existant dans le bas du cadre, des deux côtés.
REMARQUE : Ne pas enlever le boulon 12mm situé à l'avant.
2. Soulever les supports latéraux pour les mettre en position, aligner le trou 2 du support avec l'écrou à souder existant. Mettre (1) espaceur 1/2" (12,7mm) entre le support latéral et le cadre au trou 2. (** Voir la note).
3. Installer, sans serrer, les boulons hexagonaux 12mm CL10.9 fournis, les rondelles de blocage 1/2" (12,7mm) et les rondelles plates aux écrous à souder.
4. Utiliser, comme guide, le bout le plus éloigné du trou 1 et le centre du trou 3 du support latéral, percer un trou de 1/2" (12,7mm) dans les trous 1 et 3 du cadre.
5. Mettre (1) espaceur 1/2" (12,7mm) entre le support latéral et le cadre au trou 3. (** Voir la note).
6. Utiliser le fil de traction pour installer les boulons mécaniques 1/2" (12,7mm) x 2" (50mm) avec des plaques de boulons 1/4" (6mm) en passant par l'extrémité du cadre et dans les trous percés. REMARQUE : Installer le boulon mécanique avant, en premier.
7. Installer, sans serrer, des rondelles plates 1/2" (12,7mm), rondelles de blocage et des écrous sur les boulons mécaniques.
8. Soulever la section centrale, la mettre en position et l'installer selon L'EMPLACEMENT DU SUPPORT LATÉRAL 1. (Voir page 2).

CONSULTER LES DIRECTIVES POUR L'EMPLACEMENT DU SUPPORT LATÉRAL POUR CONNAÎTRE LA SÉQUENCE ADÉQUATE DE SERRAGE DES BOULONS.

INSTALLATION C

OUTILS REQUIS

**DOUILLE 3/4 (19MM)
PERCEUSE 1/2"(12,7MM)
CLÉ DYNAMOMÉTRIQUE
LUNETTES DE SÉCURITÉ**



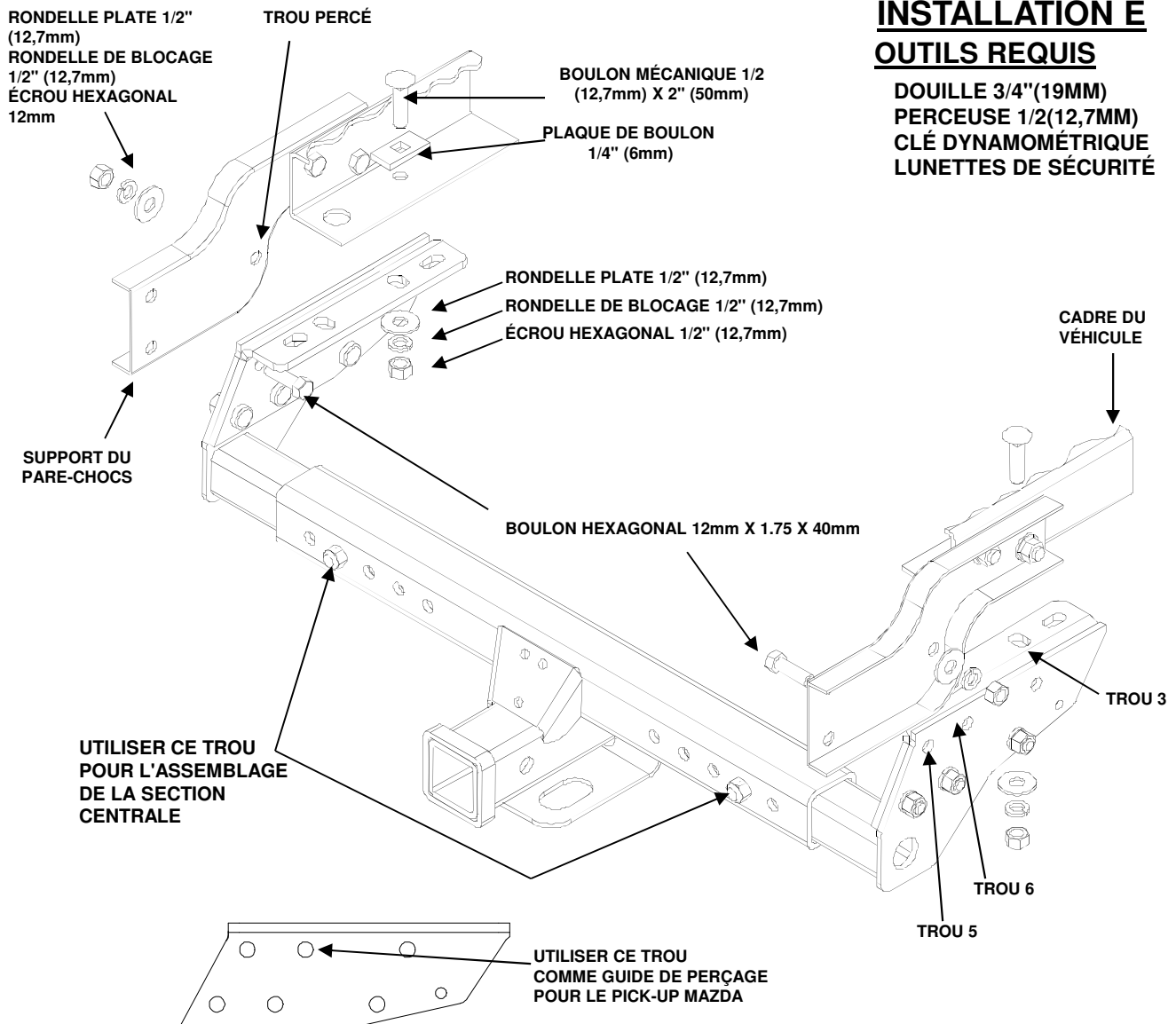
CHEVROLET S-10 1983-2004 / GMC SONOMA - CAISSE LONGUE / PICK-UP NISSAN 1987-2004 CAISSE / L 56" (1,4m)

1. Centrer les supports latéraux sur le cadre et aligner le trou 2 sous le grand trou (s'il est présent) près de l'extrémité du cadre. (Remarque : Certains modèles nécessiteront des espaceurs 1/2" (12,7mm) entre le support latéral et le cadre).
2. Insérer les boulons mécaniques 1/2" (12,7mm) avec les plaques de boulon 1/4" (6mm) x 1-1/2 (38mm) x 3" (75mm) dans le grand trou du cadre et dans le trou 2 du support latéral. Utiliser des espaceurs 1/2" (12,7mm) si nécessaire.
3. Installer des rondelles plates 1/2" (12,7mm), rondelles de blocage et des écrous sur les boulons mécaniques.
4. Utiliser le trou 4 du support comme guide et percer un trou de 1/2" (12,7mm) dans le cadre au trou 4.
5. Installer les boulons mécaniques 1/2" (12,7mm) avec les plaques de boulon 1/4" (6mm) dans les trous percés.
6. Installer des rondelles plates 1/2" (12,7mm), rondelles de blocage et des écrous sur les boulons mécaniques.
7. Installer la section centrale selon L'EMPLACEMENT DU SUPPORT LATÉRAL 1- EMBLACEMENT 2 pour les pick-up Nissan. (Voir page 2).
**Si le grand trou n'est pas présent près de la fin du cadre :
8. Soulever les supports latéraux selon la position approximative montrée et fixer en place. Utiliser les trous du support latéral comme guide et percer des trous de 1/2" (12,7mm) dans le cadre au trou 2 et 4.
9. Voir les étapes 5 à 7 pour terminer l'installation.

DODGE RAM CHARGER 82-93

1. Placer les supports latéraux vis-à-vis le cadre, en plaçant le trou 1 sous la tête de rivet. Fixer en place ou faire une marque au trou 2 et 4. Percer un trou 1/2" (12,7mm) dans le cadre au trou 2 et 4.
2. Mettre un espaceur 1/2" (12,7mm) d'épais entre le cadre et les trous 2 et 4. Visser un boulon mécanique 1/2" (12,7mm) sur le fil de traction. Mettre une plaque de boulon sur le boulon. Pousser le bout libre du fil de traction à travers l'extrémité du cadre et le ressortir par le trou de montage 1/2" (12,7mm). Passer le boulon par le trou. Dévisser le fil de traction et faire la même chose pour les autres boulons.
3. Installer des rondelles plates 1/2" (12,7mm), des rondelles de blocage et des écrous sur les boulons.
4. Installer la section centrale selon L'EMPLACEMENT DU SUPPORT LATÉRAL 1. (Voir page 2).

CONSULTER LES DIRECTIVES POUR L'EMPLACEMENT DU SUPPORT LATÉRAL POUR CONNAÎTRE LA SÉQUENCE ADEQUATE DE SERRAGE DES BOULONS.



INSTALLATION E

OUTILS REQUIS

DOUILLE 3/4\"(19MM)
PERCEUSE 1/2(12,7MM)
CLÉ DYNAMOMÉTRIQUE
LUNETTES DE SÉCURITÉ

REMARQUE :

Montage général - assembler, sans serrer, la section centrale (page 1) ; installer, sans serrer, les supports latéraux sur le véhicule (cette page) ; installer l'assemblage de la section centrale (page 2-3) ; serrer toutes les attaches selon les directives (page 1).

PICK-UP MAZDA 90-93

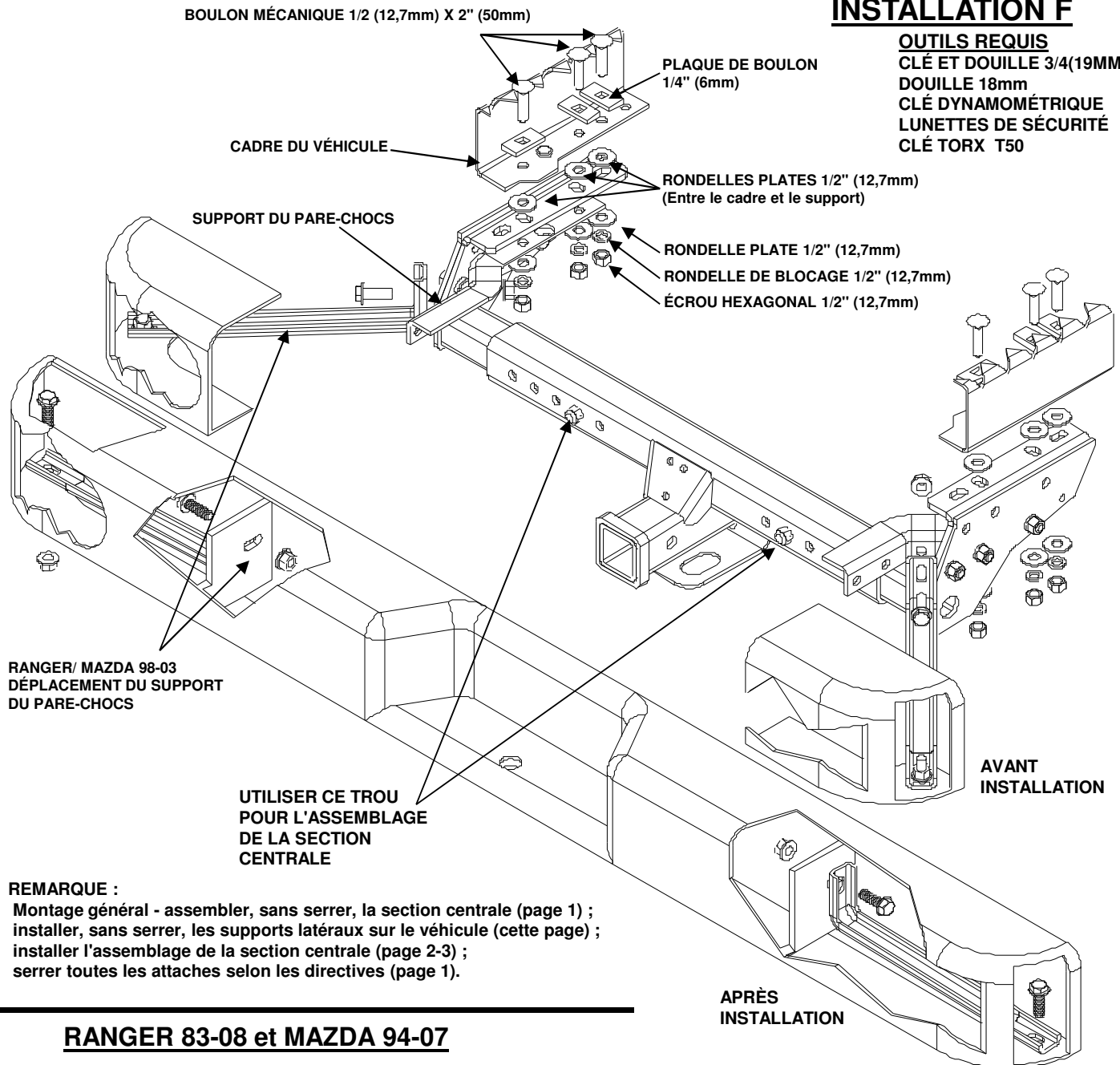
1. Soulever les supports vis-à-vis du cadre en plaçant le support le plus loin possible en avant du devant du camion. Ne pas laisser le support s'appuyer sur la soudure du cadre. Fixer en place.
2. Percer un trou de 1/2" (12,7mm) dans le cadre en vous servant du trou 3 comme repère. Visser un boulon mécanique 1/2" (12,7mm) sur le fil de traction et mettre une plaque de boulon sur le boulon. Pousser le bout libre du fil de traction à travers le côté ouvert du cadre et le ressortir par le trou 3. Passer le boulon par le trou 3. Dévisser le fil.
3. Assurez-vous que l'attelage est au niveau. Percer un trou de 1/2" (12,7mm) dans le support du pare-chocs en vous servant du trou 6 comme repère.
4. Installer la section centrale selon L'EMPLACEMENT DU SUPPORT LATÉRAL 1. (Voir page 2).
5. Insérer un boulon 12mm dans le trou, en partant de l'extérieur. Installer des rondelles plates 1/2" (12,7mm), rondelles de blocage et des écrous sur tous les boulons.

CONSULTER LES DIRECTIVES POUR L'EMPLACEMENT DU SUPPORT LATÉRAL POUR CONNAÎTRE LA SÉQUENCE ADÉQUATE DE SERRAGE DES BOULONS.

INSTALLATION F

OUTILS REQUIS

CLÉ ET DOUILLE 3/4(19MM)
DOUILLE 18mm
CLÉ DYNAMOMÉTRIQUE
LUNETTES DE SÉCURITÉ
CLÉ TORX T50



RANGER 83-08 et MAZDA 94-07

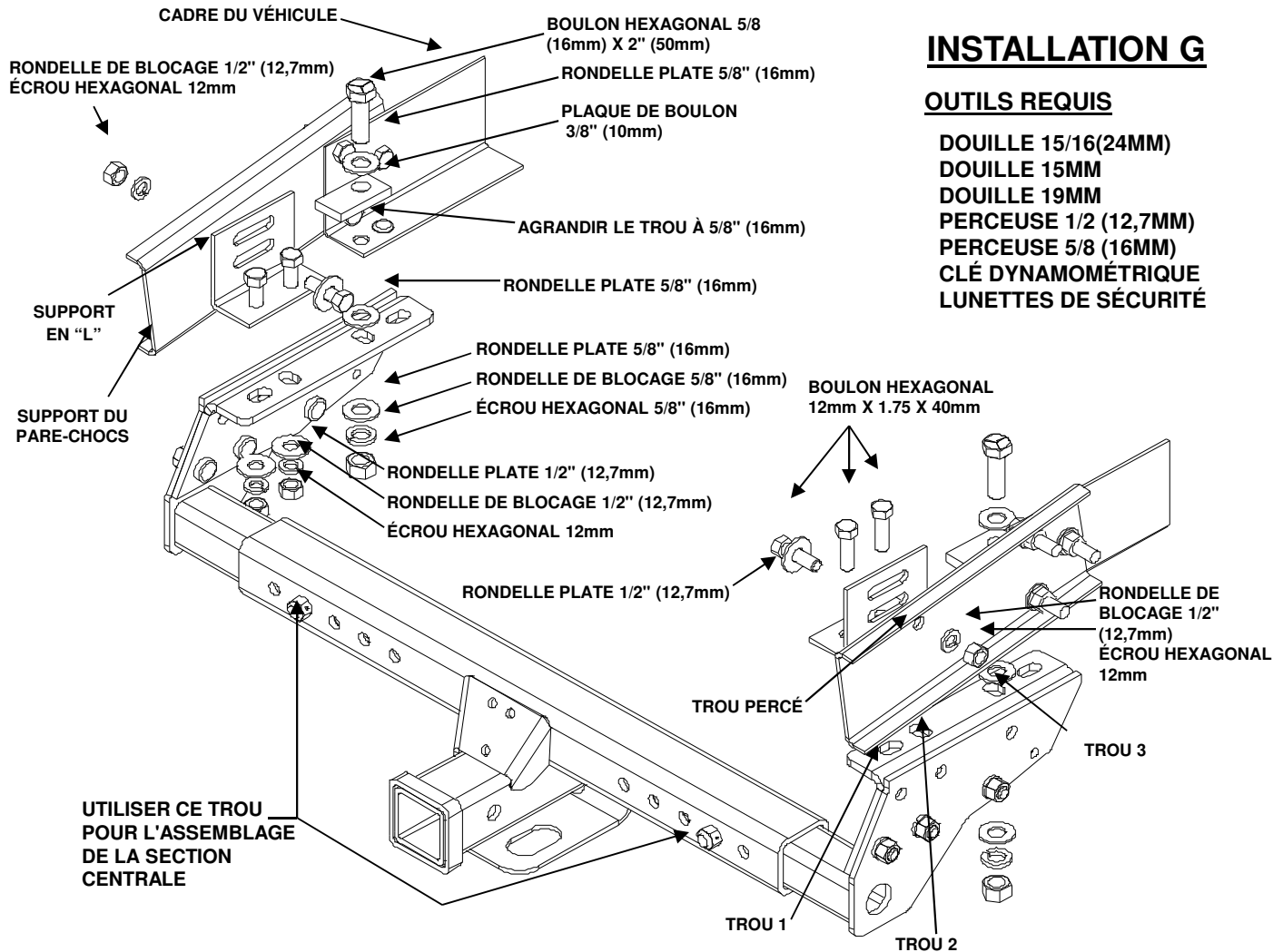
1. Abaisser la roue de secours. Enlever les boulons qui retiennent le support du silencieux. Enlever les écrous clips du cadre. Enlever la fixation du pare-chocs qui se trouve sur le coin du pare-chocs. Vous aurez besoin de la clé TORX T50 pour la déboulonner du pare-chocs. **(POUR LES MODÈLES 98-05).**
2. Faire passer les boulons mécaniques 1/2'' (12,7mm) et la plaque de boulon par les trous dans le cadre et tenir le support droit par-dessus les boulons et les rondelles plates entre le cadre et le support pour les trois endroits à boulonner. Réinstaller le support du pare-chocs en dessous du support d'attelage et installer des rondelles plates 1/2'' (12,7mm), des rondelles de blocage et des écrous. Voir le schéma ci-dessus. Ne pas serrer les écrous complètement maintenant.
3. Enlever le support gauche du pare-chocs, les écrous clip et la fixation de coin du pare-chocs.
4. Soulever le support gauche au dessus du support de pare-chocs et le mettre sous le cadre. Refaire l'étape 2 pour le support gauche.
5. Installer la section centrale selon L'EMPLACEMENT DU SUPPORT 1. (Voir page 2).
6. Remettre les fixations du pare-chocs. Boulonnez-les dans la fente au centre du pare-chocs. Resserrer la roue de secours.

CONSULTER LES DIRECTIVES POUR L'EMPLACEMENT DU SUPPORT LATÉRAL POUR CONNAÎTRE LA SÉQUENCE ADÉQUATE DE SERRAGE DES BOULONS.

INSTALLATION G

OUTILS REQUIS

**DOUILLE 15/16(24MM)
DOUILLE 15MM
DOUILLE 19MM
PERCEUSE 1/2 (12,7MM)
PERCEUSE 5/8 (16MM)
CLÉ DYNAMOMÉTRIQUE
LUNETTES DE SÉCURITÉ**



REMARQUE :

Montage général - assembler, sans serrer, la section centrale (page 1) ; installer, sans serrer, les supports latéraux sur le véhicule (cette page) ; installer l'assemblage de la section centrale (page 2-3) ; serrer toutes les attaches selon les directives (page 1).

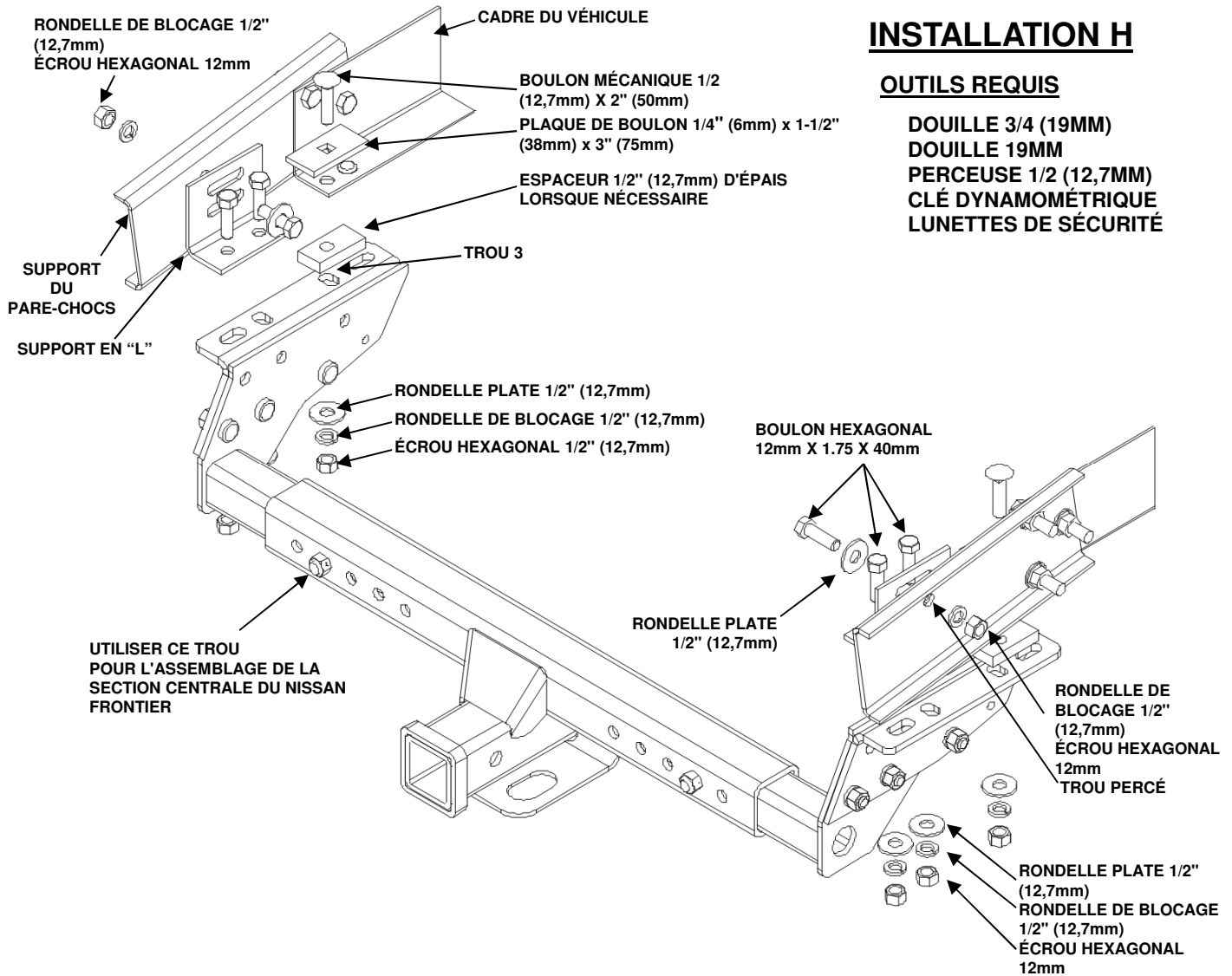
DODGE DAKOTA-CAISSE COURTE 86-04

1. Utiliser la perceuse 5/8" (16mm) pour agrandir les trous au bout du cadre à un diamètre de 5/8" (16mm). Insérer un boulon hexagonal 5/8" (16mm) X 2" (50mm) et une plaque de boulon 3/8" (10mm) dans le trou à l'extrémité du cadre.
2. Soulever les supports latéraux vis-à-vis du cadre et aligner le trou 3 du support latéral avec les boulons hexagonaux. Mettre une rondelle plate 5/8" (16mm) entre le cadre et le support sur les boulons hexagonaux pour éloigner les supports latéraux du rivet du cadre. Voir le schéma.
3. Installer des rondelles plates 5/8" (16mm), rondelles de blocage et des écrous sur les boulons mécaniques. Serrer les boulons pour que l'attelage soit au niveau.
4. Fixer les supports en "L" sur les supports latéraux par-dessus les trous 1 et 2 avec deux (2) boulons hexagonaux M12 x 40mm comme indiqué.
5. Utiliser la longue fente comme guide et percer un trou de 1/2" (12,7mm) à l'extrémité la plus éloignée de la fente dans les supports du pare-chocs. Installer des boulons hexagonaux M12 x 40mm, des rondelles plates, des rondelles de blocage et des écrous.
7. Installer la section centrale selon L'EMPLACEMENT DU SUPPORT LATÉRAL 1. (Voir page 2).

POUR LE DAKOTA QUAD CAB 2000-01

1. Utiliser une douille 15mm pour enlever le répartiteur de charge. (Le répartiteur de charge est le tube rond juste devant le pare-chocs, suspendu sur des supports de caoutchouc.)
2. Effectuer les étapes (1-7) ci-dessus
3. Réinstaller le répartiteur de charge.

CONSULTER LES DIRECTIVES POUR L'EMPLACEMENT DU SUPPORT LATÉRAL POUR CONNAÎTRE LA SÉQUENCE ADEQUATE DE SERRAGE DES BOULONS.



INSTALLATION H

OUTILS REQUIS

DOUILLE 3/4 (19MM)
DOUILLE 19MM
PERCEUSE 1/2 (12,7MM)
CLÉ DYNAMOMÉTRIQUE
LUNETTES DE SÉCURITÉ

REMARQUE :

Montage général - assembler, sans serrer, la section centrale (page 1) ; installer, sans serrer, les supports latéraux sur le véhicule (cette page) ; installer l'assemblage de la section centrale (page 2-3) ; serrer toutes les attaches selon les directives (page 1).

PICK-UP NISSAN / FRONTIER 2 et 4 PORTES CAISSE DE 75" (1m87) 87-04

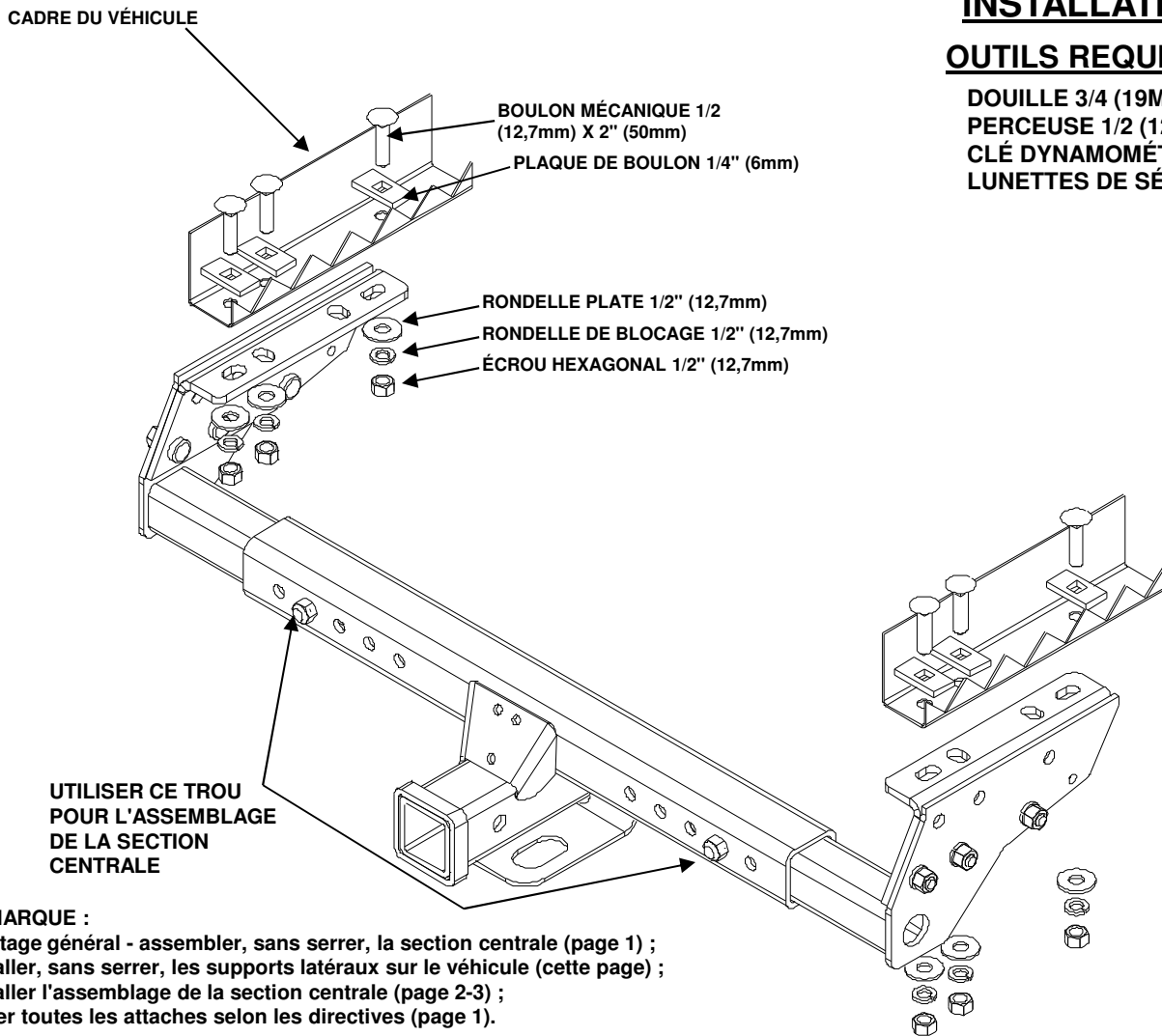
1. Enlever le boulon du dessous du cadre, et inverser sa direction, le réinstaller pour que la tête du boulon soit en dessous du cadre. Placer les supports latéraux vis-à-vis le cadre, en arrière du boulon avec un espaceur 1/2" (12,7mm) sur le trou 3.
2. Percer un trou 1/2" (12,7mm) dans le cadre au trou 3. Installer un boulon mécanique 1/2" (12,7mm) avec un bloc 1/4" (6mm) x 1-1/2" (38mm) x 3" (75mm) à travers le cadre, l'espaceur et le trou 3.
3. Fixer les supports en "L" sur les supports latéraux par-dessus les trous 1 et 2 avec deux (2) boulons hexagonaux M12 x 40mm comme indiqué.
4. Utiliser la longue fente comme guide et percer un trou de 1/2" (12,7mm) à l'extrémité la plus éloignée de la fente dans les supports du pare-chocs. Installer des boulons hexagonaux M12 x 40mm, des rondelles plates, des rondelles de blocage et des écrous sur les boulons.
5. Installer la section centrale selon L'EMPLACEMENT DU SUPPORT LATÉRAL 2. (Voir page 2).

CONSULTER LES DIRECTIVES POUR L'EMPLACEMENT DU SUPPORT LATÉRAL POUR CONNAÎTRE LA SÉQUENCE ADÉQUATE DE SERRAGE DES BOULONS.

INSTALLATION I

OUTILS REQUIS

DOUILLE 3/4 (19MM)
PERCEUSE 1/2 (12,7MM)
CLÉ DYNAMOMÉTRIQUE
LUNETTES DE SÉCURITÉ



JEEP CHEROKEE, XJ 84-96 (SANS PROTECTEUR DE RÉSERVOIR À ESSENCE ET QUINCAILLERIE EXISTANTE DANS LE CADRE)

1. Enlever les boulons qui retiennent le support du silencieux. Déplacer le support à droite et replacer le boulon gauche dans le trou droit. Ceci est fait dans le but de déplacer le silencieux pour que le tuyau d'échappement libère l'espace pour l'attelage.
2. Visser un boulon mécanique 1/2" (12,7mm) x 2" (50mm) sur le fil de traction. Mettre une plaque de boulon 1/4" (6mm) sur le boulon. Pousser le bout libre du fil de traction dans l'ouverture à l'extrémité du cadre. Ressortir le fil par le trou à l'arrière du cadre. Passer le boulon par le trou. Répéter pour l'autre côté.
3. Mettre les supports latéraux vis-à-vis l'arrière du cadre. Installer des rondelles plates 1/2" (12,7mm), des rondelles de blocage et des écrous sur les boulons.
4. Installer la section centrale selon L'EMPLACEMENT DU SUPPORT LATÉRAL 1. (Voir page 2).

FORD AEROSTAR (ALLONGÉ) 86-97

1. Mettre l'attelage vis-à-vis le cadre le plus à l'arrière possible. Percer des trous de 1/2" (12,7mm) dans le cadre en vous servant des trous 1, 2 et 4 comme repère. Agrandir le trou d'accès au bas du cadre pour permettre au boulon mécanique 1/2" (12,7mm) de passer. Ce trou est situé plus loin vers l'avant du cadre.
2. Visser un boulon mécanique 1/2" (12,7mm) sur le fil de traction et mettre une plaque de boulon dessus. Pousser le bout libre du fil de traction dans le trou d'accès et le sortir par un des trous percés. Passer le boulon par le trou. Dévisser le fil et faire la même chose pour les autres trous.
3. Installer des rondelles plates 1/2" (12,7mm), rondelles de blocage et des écrous sur tous les boulons.
4. Installer la section centrale selon L'EMPLACEMENT DU SUPPORT LATÉRAL 1. (Voir page 2).

CONSULTER LES DIRECTIVES POUR L'EMPLACEMENT DU SUPPORT LATÉRAL POUR CONNAÎTRE LA SÉQUENCE ADÉQUATE DE SERRAGE DES BOULONS.

INSTALLATION J

OUTILS REQUIS

DOUILLE 3/4"(19MM) DOUILLE 19MM
PERCEUSE 1/2" (12,7MM)
CLÉ DYNAMOMÉTRIQUE, LUNETTES DE SÉCURITÉ

POUR LES JEEP CHEROKEE 1997-2001

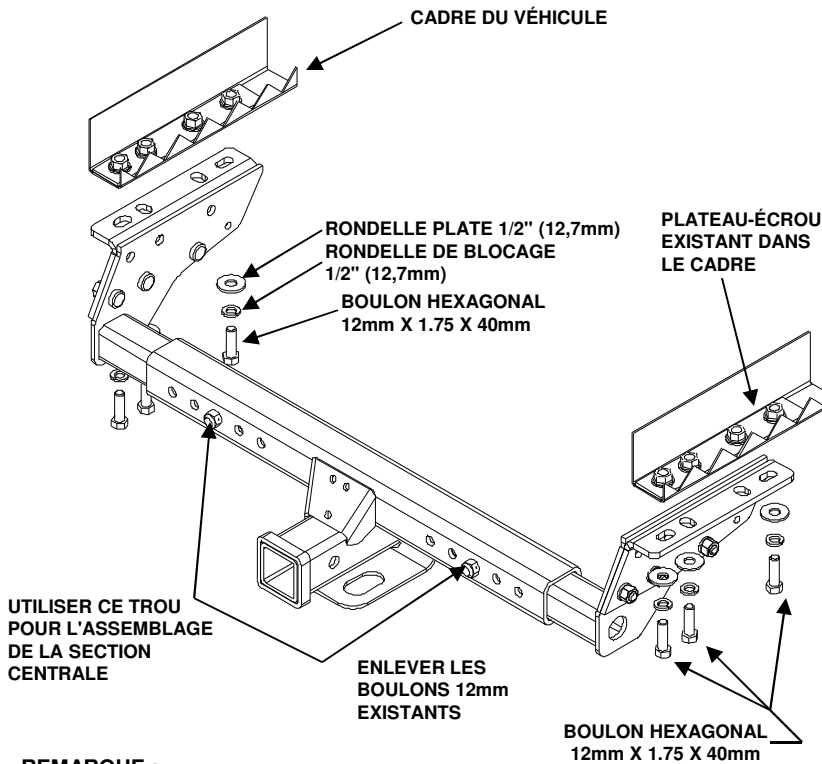
AVEC PROTECTEURS EN ACIER DE RÉSERVOIR À ESSENCE :

1. Desserrer la fixation du tuyau d'échappement.
2. Enlever les boulons 12mm qui retiennent le protecteur au châssis. Desserrer les autres boulons du support à tuyau d'échappement.
3. Soulever les supports latéraux vis-à-vis du cadre, en plaçant l'écrou à embase à droite, en dessous du support à tuyau d'échappement.

REMARQUE : Sur certains modèles il peut être nécessaire de plier le protecteur thermique pour permettre l'installation de l'attelage. Il peut être nécessaire d'agrandir les trous du protecteur avec une perceuse 1/2" (12,7mm).

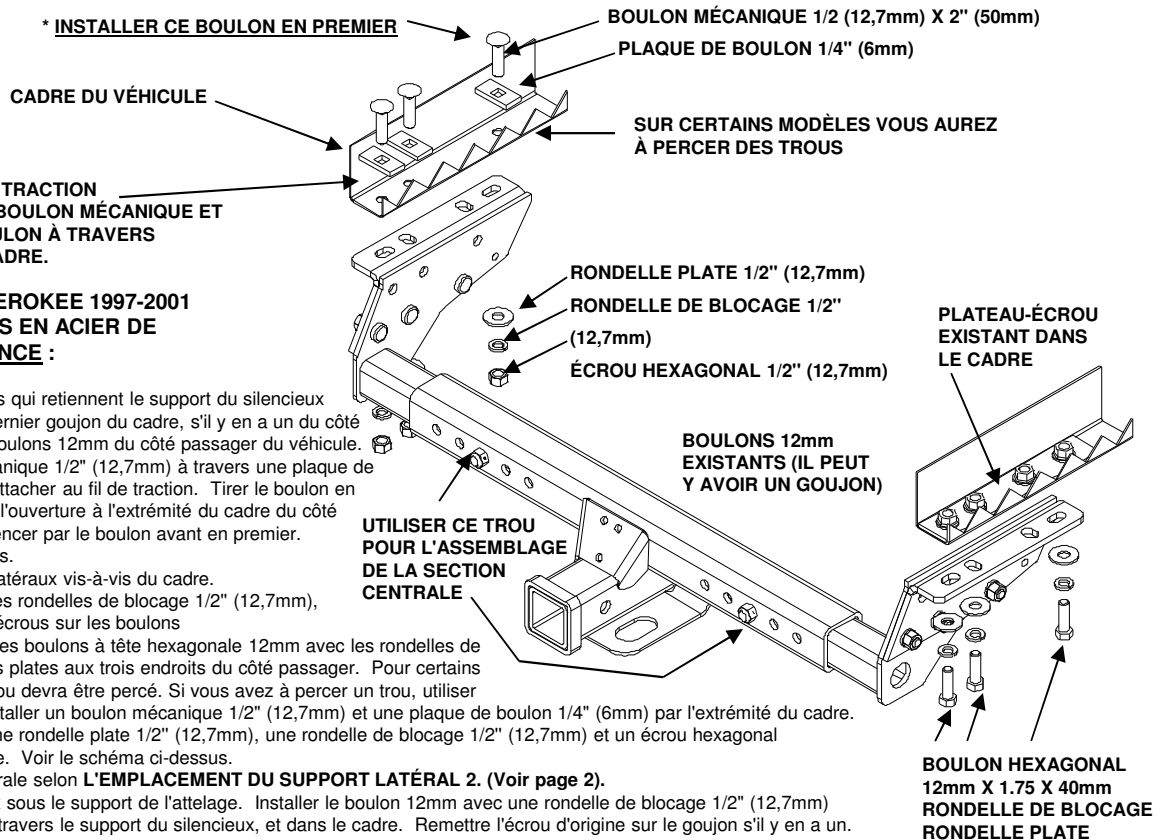
4. Installer les boulons 12mm fournis avec les rondelles de blocage 1/2" (12,7mm) et les rondelles plates 1/2" (12,7mm). Bien visser les boulons.
5. Installer la section centrale selon **L'EMPLACEMENT DU SUPPORT LATÉRAL 2. (Voir page 2).**
6. Ajuster le tuyau d'échappement pour obtenir de l'espace. Serrer la fixation du tuyau d'échappement.

CONSULTER LES DIRECTIVES POUR L'EMPLACEMENT DU SUPPORT LATÉRAL POUR CONNAÎTRE LA SÉQUENCE ADÉQUATE DE SERRAGE DES BOULONS.



REMARQUE :

Montage général - assembler, sans serrer, la section centrale (page 1) ; et les supports latéraux sur le véhicule (cette page) ; installer l'assemblage de la section centrale (page 2-3) ; serrer toutes les attaches selon les directives (page 1).



POUR LES JEEP CHEROKEE 1997-2001 SANS PROTECTEURS EN ACIER DE RÉSERVOIR À ESSENCE :

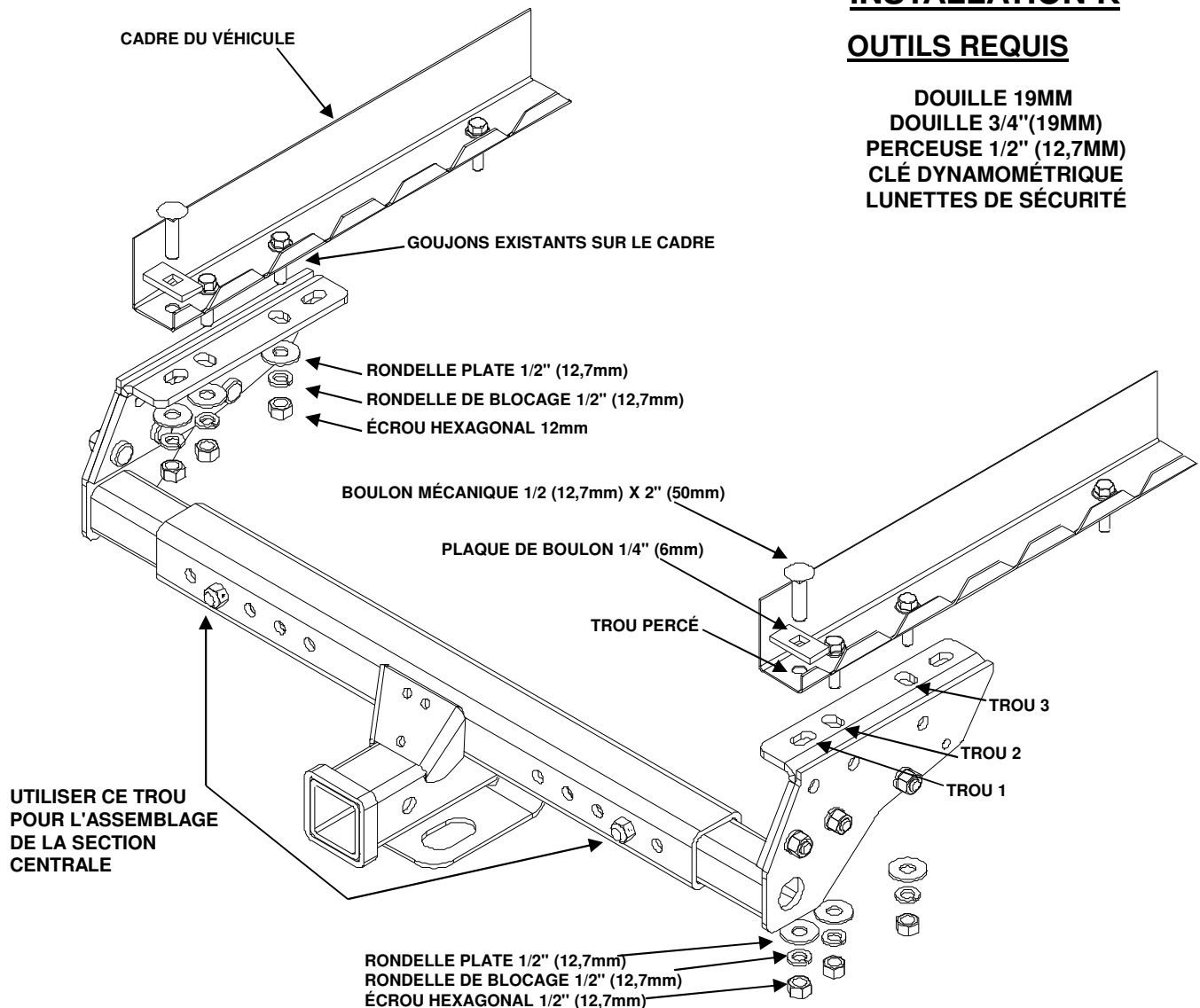
1. Enlever les deux écrous qui retiennent le support du silencieux au cadre. Dévisser le dernier goujon du cadre, s'il y en a un du côté passager. Enlever les boulons 12mm du côté passager du véhicule.
2. Insérer un boulon mécanique 1/2" (12,7mm) à travers une plaque de boulon 1/4" (6mm) et l'attacher au fil de traction. Tirer le boulon en position en passant par l'ouverture à l'extrémité du cadre du côté du conducteur. Commencer par le boulon avant en premier. Voir le schéma ci-dessus.
3. Soulever les supports latéraux vis-à-vis du cadre. Installer, sans serrer, des rondelles de blocage 1/2" (12,7mm), rondelles plates et des écrous sur les boulons mécaniques. Installer des boulons à tête hexagonale 12mm avec les rondelles de blocage et des rondelles plates aux trois endroits du côté passager. Pour certains modèles, le troisième trou devra être percé. Si vous avez à percer un trou, utiliser le fil de traction pour installer un boulon mécanique 1/2" (12,7mm) et une plaque de boulon 1/4" (6mm) par l'extrémité du cadre. Installer, sans serrer, une rondelle plate 1/2" (12,7mm), une rondelle de blocage 1/2" (12,7mm) et un écrou hexagonal sur le boulon mécanique. Voir le schéma ci-dessus.
4. Installer la section centrale selon **L'EMPLACEMENT DU SUPPORT LATÉRAL 2. (Voir page 2).**
5. Réinstaller le silencieux sous le support de l'attelage. Installer le boulon 12mm avec une rondelle de blocage 1/2" (12,7mm) et une rondelle plate à travers le support du silencieux, et dans le cadre. Remettre l'écrou d'origine sur le goujon s'il y en a un.

CONSULTER LES DIRECTIVES POUR L'EMPLACEMENT DU SUPPORT LATÉRAL POUR CONNAÎTRE LA SÉQUENCE ADÉQUATE DE SERRAGE DES BOULONS.

INSTALLATION K

OUTILS REQUIS

DOUILLE 19MM
DOUILLE 3/4"(19MM)
PERCEUSE 1/2" (12,7MM)
CLÉ DYNAMOMÉTRIQUE
LUNETTES DE SÉCURITÉ



REMARQUE :

Montage général - assembler, sans serrer, la section centrale (page 1) ; et les supports latéraux sur le véhicule (cette page) ; installer l'assemblage de la section centrale (page 2-3) ; serrer toutes les attaches selon les directives (page 1).

POUR LES JEEP GRAND CHEROKEE 93-98

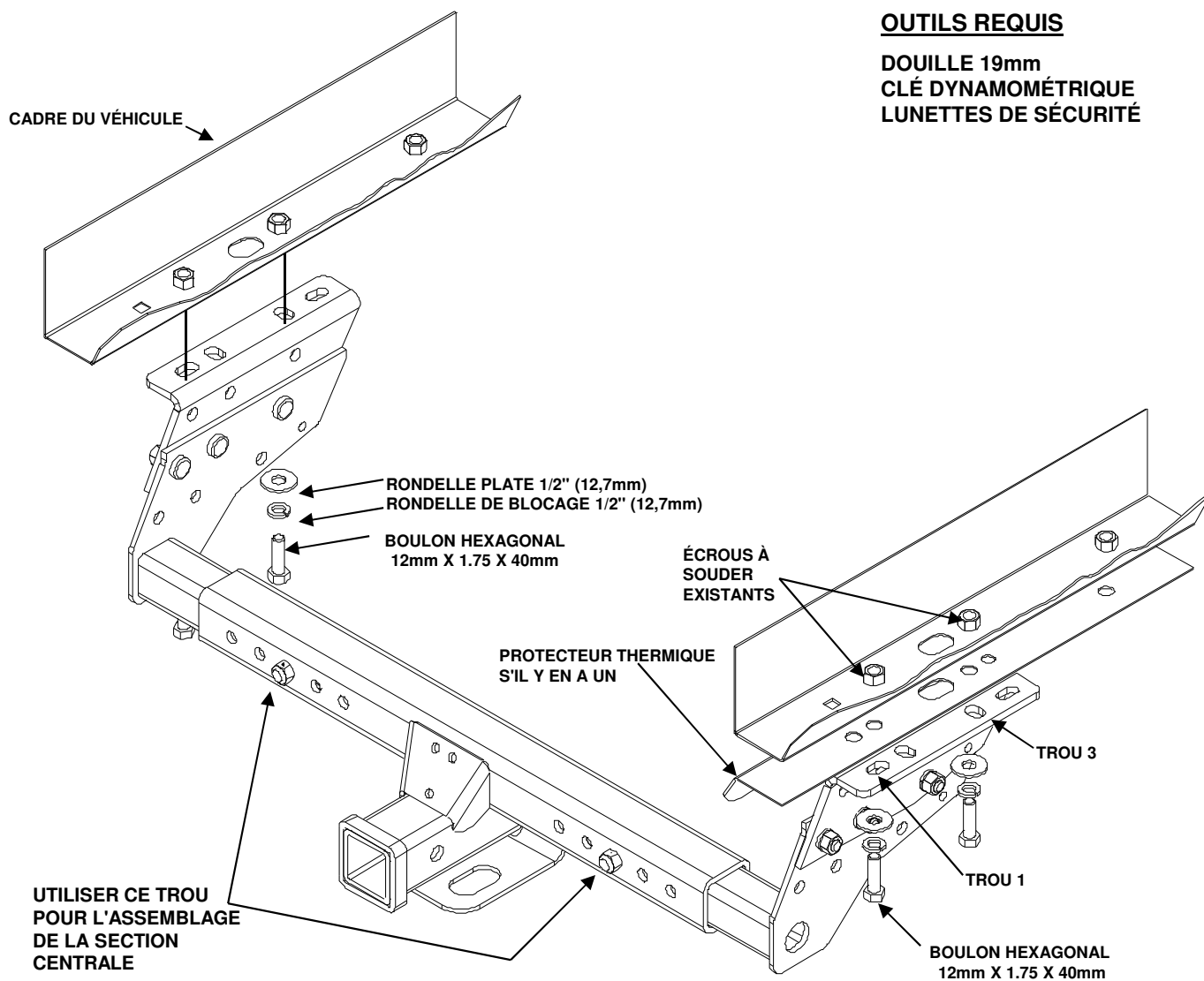
1. Mettre les supports latéraux par-dessus les goujons qui sont fixés au bas du cadre. Utiliser les trous 2 et 3. Installer des rondelles plates 1/2" (12,7mm), des rondelles de blocage et des écrous 12mm sur les goujons.
2. Percer un trou de 1/2" (12,7mm) dans le cadre en vous servant du trou 1 comme repère. Visser un boulon mécanique 1/2" (12,7mm) x 2" (50mm) sur le fil de traction et mettre une plaque de boulon 1/4" (6mm) sur le boulon. Insérer le bout libre du fil de traction dans haut du support du pare-chocs. C'est à dire entre l'extrémité du cadre et le pare-chocs. Poussez-le à travers le trou 1. Tirer le boulon vers le bas à travers le trou. Dévisser le fil de traction. Installer des rondelles plates 1/2" (12,7mm), rondelles de blocage et des écrous sur les boulons mécaniques.
3. Installer la section centrale selon L'EMPLACEMENT DU SUPPORT LATÉRAL 1. (Voir page 2).

CONSULTER LES DIRECTIVES POUR L'EMPLACEMENT DU SUPPORT LATÉRAL POUR CONNAÎTRE LA SÉQUENCE ADÉQUATE DE SERRAGE DES BOULONS.

INSTALLATION L

OUTILS REQUIS

**DOUILLE 19mm
CLÉ DYNAMOMÉTRIQUE
LUNETTES DE SÉCURITÉ**



REMARQUE :

Montage général - assembler, sans serrer, la section centrale (page 1) ; installer, sans serrer, les supports latéraux sur le véhicule (cette page) ; installer l'assemblage de la section centrale (page 2-3) ; serrer toutes les attaches selon les directives (page 1).

JEEP LIBERTY 2002-07

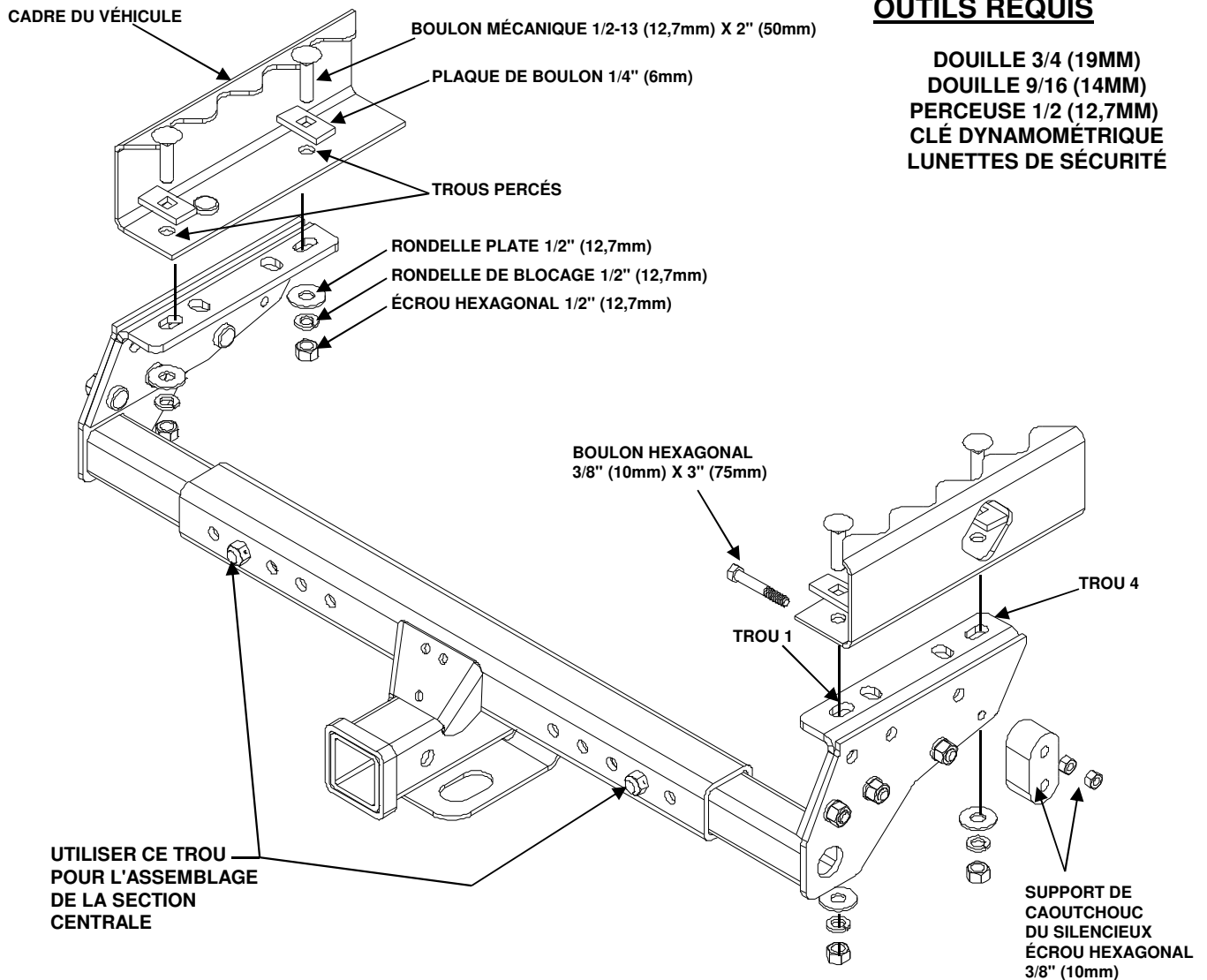
1. Si le véhicule est équipé d'un protecteur de réservoir à essence, enlever les deux derniers boulons 12mm, de chaque côté.
2. Soulever les supports latéraux vis-à-vis du cadre dans le sens indiqué et aligner le trou 1 du support latéral avec le dernier écrou à souder. Installer, sans serrer, les boulons hexagonaux 12mm fournis, les rondelles de blocage et les rondelles plates aux écrous à souder existants sur le cadre.
3. Installer la section centrale selon L'EMPLACEMENT DU SUPPORT LATÉRAL 3. (Voir page 3).

CONSULTER LES DIRECTIVES POUR L'EMPLACEMENT DU SUPPORT LATÉRAL POUR CONNAÎTRE LA SÉQUENCE ADÉQUATE DE SERRAGE DES BOULONS.

INSTALLATION M

OUTILS REQUIS

DOUILLE 3/4 (19MM)
DOUILLE 9/16 (14MM)
PERCEUSE 1/2 (12,7MM)
CLÉ DYNAMOMÉTRIQUE
LUNETTES DE SÉCURITÉ



REMARQUE : Montage général - assembler, sans serrer, la section centrale (page 1) ; installer, sans serrer, les supports latéraux sur le véhicule (cette page) ; installer l'assemblage de la section centrale (page 2-3) ; serrer toutes les attaches selon les directives (page 1).

FORD BRONCO II 84-90

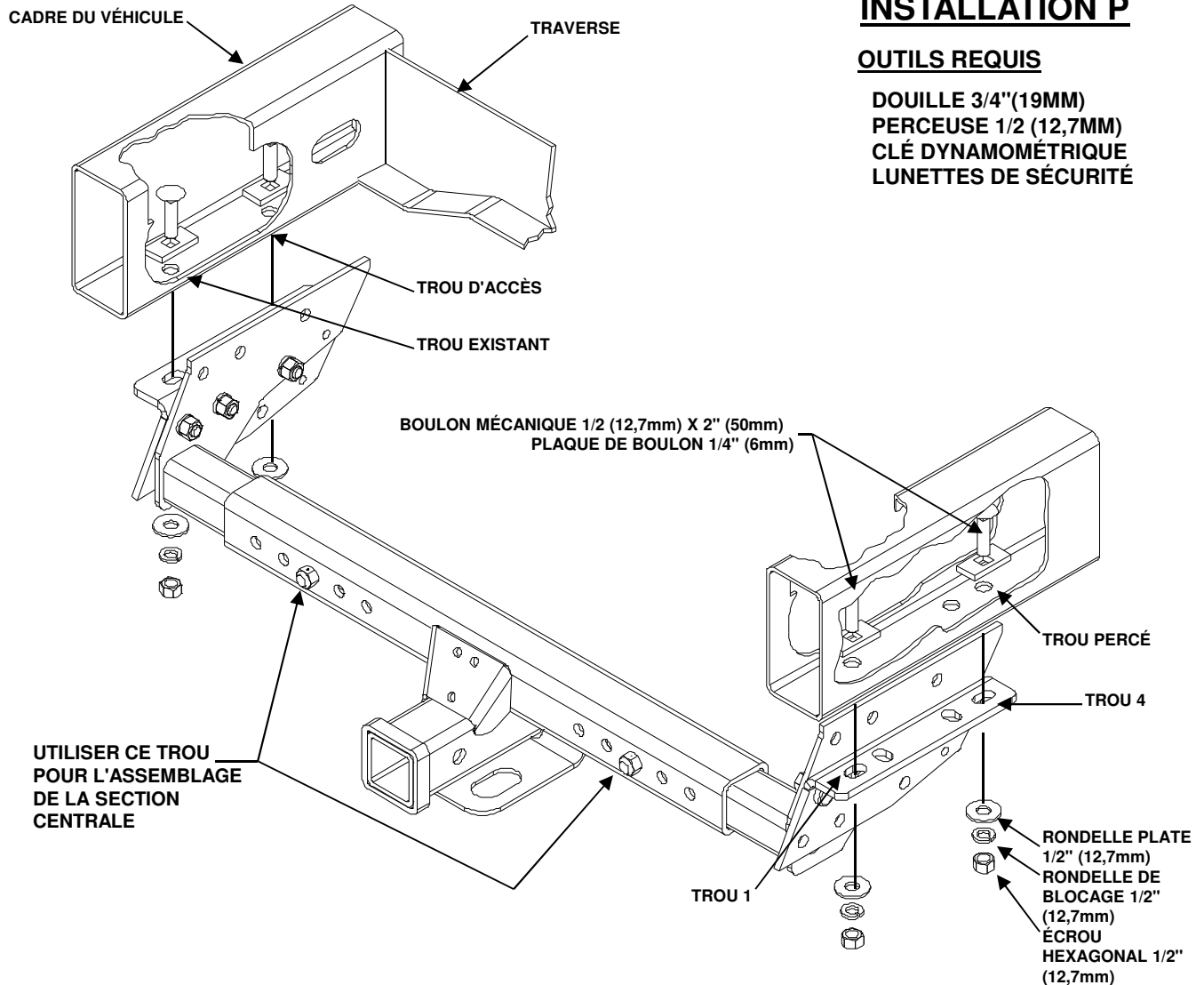
1. Vous pouvez plier un peu la tige du support de silencieux pour libérer de l'espace ou la couper à la scie.
2. Mettre les supports latéraux vis-à-vis l'arrière du cadre. Utiliser les trous 1 et 4 comme guide et percer des trous de 1/2'' (12,7mm) de diamètre dans le cadre.
3. En passant entre le réservoir d'essence et le cadre, installer les boulons mécaniques 1/2'' (12,7mm) avec les plaques de boulon 1/4'' (6mm) dans les trous 1 et 4. Installer des rondelles plates 1/2'' (12,7mm), rondelles de blocage et des écrous sur les boulons.
4. Installer la section centrale selon L'EMPLACEMENT DU SUPPORT LATÉRAL 1. (Voir page 2).
5. Réinstaller le support du silencieux à côté du support de l'attelage, utiliser un boulon hexagonal 3/8'' (10mm) à travers du support latéral et du support de caoutchouc. Installer deux écrous (2) 3/8'' (10mm) sur le boulon, utiliser le second écrou comme blocage sur le premier écrou.

CONSULTER LES DIRECTIVES POUR L'EMPLACEMENT DU SUPPORT LATÉRAL POUR CONNAÎTRE LA SÉQUENCE ADÉQUATE DE SERRAGE DES BOULONS.

INSTALLATION P

OUTILS REQUIS

**DOUILLE 3/4"(19MM)
PERCEUSE 1/2 (12,7MM)
CLÉ DYNAMOMÉTRIQUE
LUNETTES DE SÉCURITÉ**



REMARQUE :

Montage général - assembler, sans serrer, la section centrale (page 1) ; et les supports latéraux sur le véhicule (cette page) ; installer l'assemblage de la section centrale (page 2-3) ; serrer toutes les attaches selon les directives (page 1).

CAMIONNETTE CHEVROLET / GMC PLEINE GRANDEUR 1996-07

1. Installer un boulon mécanique 1/2" (12,7mm) x 2" (50mm) avec une plaque de boulon 1/4" (6mm) en passant par le trou d'accès et dans le trou percé. Soulever les supports latéraux pour les mettre en position, aligner le trou 1 du support avec le boulon mécanique. Installer, sans serrer, une rondelle plate 1/2" (12,7mm), une rondelle de blocage et un écrou hexagonal sur le boulon. Répéter pour l'autre côté.
2. Utiliser le trou 4 du support latéral comme guide et percer un trou de 1/2" (12,7mm) dans le cadre. Installer un boulon mécanique 1/2" (12,7mm) x 2" (50mm) avec une plaque de boulon 1/4" (6mm) dans le trou percé. Installer une rondelle plate 1/2" (12,7mm), une rondelle de blocage et un écrou hexagonal sur le boulon. Répéter pour l'autre côté.
3. Installer la section centrale selon L'EMPLACEMENT DU SUPPORT LATÉRAL 4. (Voir page 3).

CONSULTER LES DIRECTIVES POUR L'EMPLACEMENT DU SUPPORT LATÉRAL POUR CONNAÎTRE LA SÉQUENCE ADÉQUATE DE SERRAGE DES BOULONS.

INSTALLATION Q

OUTILS REQUIS

DOUILLE 11/16(17MM), 19 mm
CLÉ DYNAMOMÉTRIQUE
LUNETTES DE SÉCURITÉ RUBAN ADHÉSIF

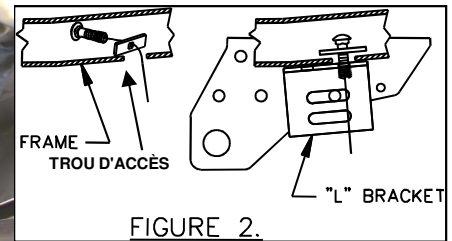


FIGURE 2.

MASSE BRUTE MAXIMALE DE LA REMORQUE 3500 LB (1590kg).
POIDS MAXIMUM AU TIMON 350 LB (160kg).
CAPACITÉ DE CHARGE SEULEMENT
NE PAS UTILISER AVEC DES LEVIERS
NE PAS DÉPASSER LA CAPACITÉ MAXIMALE DE
REMORQUAGE DU VÉHICULE

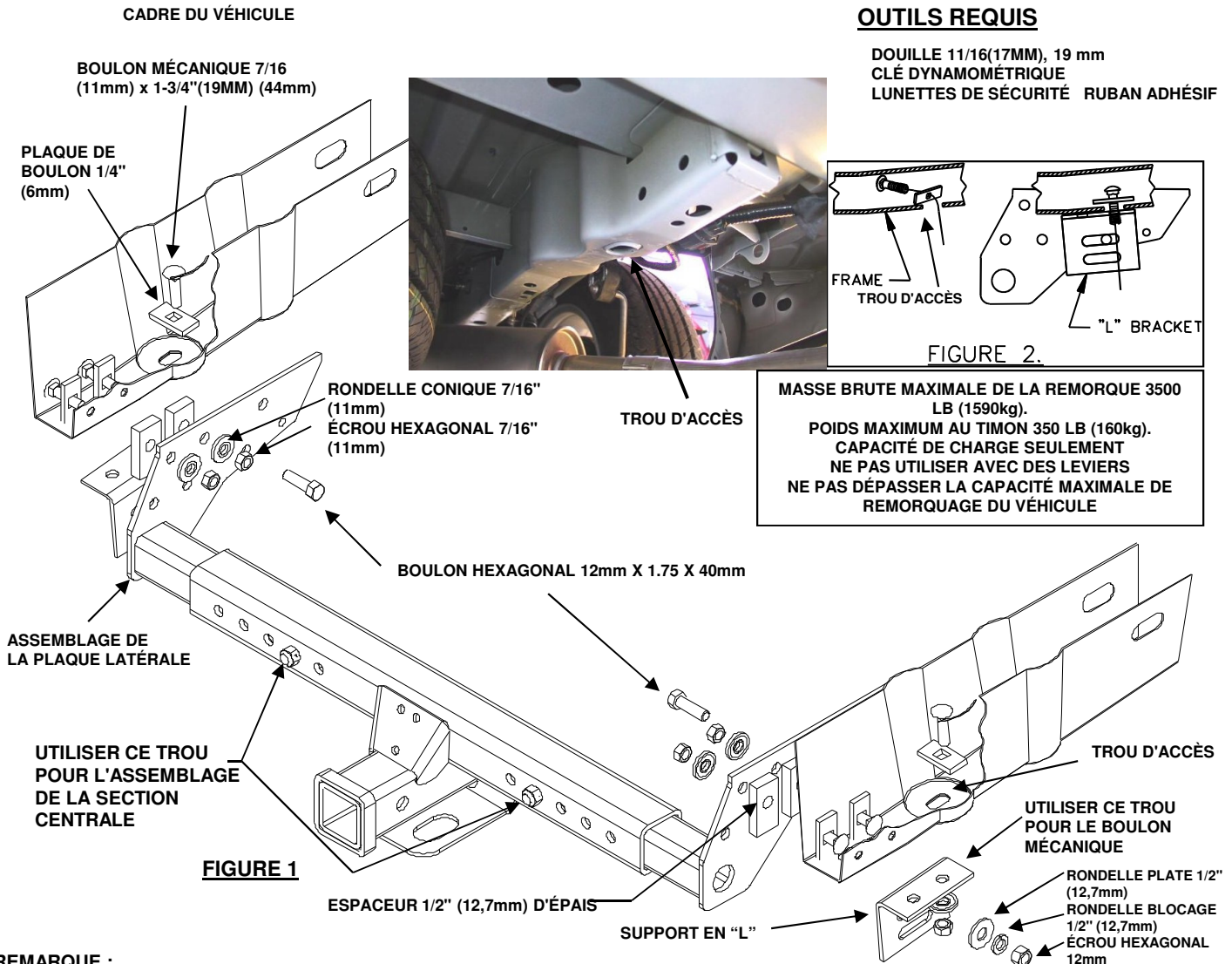


FIGURE 1

REMARQUE :

Montage général - assembler, sans serrer, la section centrale (page 1) ; installer l'assemblage de la section centrale (cette page) ; serrer toutes les attaches selon les directives (page 1).

FORD WINDSTAR 1999-2003 - TOUS LES MODÈLES

1. Installer, sans serrer, les plaques latérales assemblées à la section centrale, comme indiqué. (Voir page 1).
Remarque : Glisser les plaques latérales assemblées vers le centre.
2. Utiliser le fil de traction pour installer des boulons mécaniques 7/16" (11mm) x 1-3/4 (44mm) avec des plaques de boulons 1/4" (6mm) en passant par le trou d'accès et dans les trous percés.
3. Mettre un espaceur 1/2" (12,7mm) d'épais sur chaque boulon mécanique. Mettre un petit morceau de ruban adhésif sur l'espaceur et le boulon mécanique pour éviter que le boulon ne glisse dans le cadre.
4. Soulever la section centrale assemblée et aligner les 2 trous du dessus les plus en arrière avec les boulons mécaniques de la plaque latérale d'un côté du véhicule et installer la plaque latérale par-dessus les boulons mécaniques.
REMARQUE : Utiliser une chandelle pour soutenir temporairement la section centrale assemblée.
5. Installer, sans serrer, des rondelles coniques 7/16" (11mm) et des écrous hexagonaux sur les boulons.
6. Installer l'autre plaque latérale sur les deux boulons mécaniques et installer, sans serrer, des rondelles coniques 7/16" (11mm) et des écrous hexagonaux.
7. Utiliser le fil de traction pour installer un boulon mécanique 7/16" (11mm) avec une plaque de boulon 1/4" (6mm) en passant par le trou d'accès au bas du cadre. Ensuite retirer le boulon mécanique par le trou d'accès, celui-ci sera utilisé pour installer le support en "L". (Voir figure 2).
8. Aligner le trou du support en "L" avec le boulon mécanique 7/16" (11mm) et installer, sans serrer, une rondelle conique 7/16" (11mm) et un écrou hexagonal sur le boulon. Utiliser un boulon 12mm x 40mm (fileté en entier), une rondelle plate 1/2" (12,7mm) et un écrou hexagonal 12mm, fixer le support en "L" à la plaque latérale comme indiqué dans les figures 1 et 2 les deux côtés sont montrés.
9. Serrer au couple toutes les fixations de façon adéquate. (Voir page 1).

CONSULTER LES DIRECTIVES POUR L'EMPLACEMENT DU SUPPORT LATÉRAL POUR CONNAÎTRE LA SÉQUENCE ADÉQUATE DE SERRAGE DES BOULONS.

INSTALLATION AVEC UN ATTELAGE D'ORIGINE EXISTANT

BOULON MÉCANIQUE
7/16(11mm) x 1-3/4 (44mm)
PLAQUE DE BOULON
1/4" (6mm)

TROU PERCÉ

TROU D'ACCÈS
(Les deux côtés)

TROU PERCÉ

BLOC CONIQUE

ESPACEUR 3/16" (5mm)

ÉCROU À SOUDER
EXISTANT
(avec attelage d'origine)

BOULON HEXAGONAL
12mm X 1.75 X 40mm
RONDELLE DE BLOCAGE
RONDELLE PLATE

UTILISER CE TROU
POUR L'ASSEMBLAGE
DE LA SECTION CENTRALE

BOULON MÉCANIQUE
7/16-14 (11mm) x 1-
3/4"(19MM) (44mm)
PLAQUE DE BOULON
1/4" (6mm)

TROU
D'ACCÈS

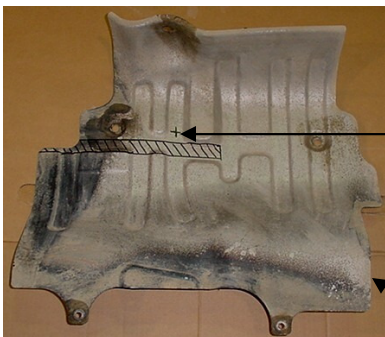
TROU 2

TROU 1

TROU
PERCÉ

TROU 4

RONDELLE CONIQUE 7/16"
(11mm)
ÉCROU HEXAGONAL 7/16"
(11mm)



TROU PERCÉ

PROTECTEUR THERMIQUE

INSTALLATION R

OUTILS REQUIS

DOUILLE 11/16 (17MM)
DOUILLE 3/4"(19MM)
DOUILLE 19mm
PERCEUSE 1/2" (12,7MM)
CLÉ DYNAMOMÉTRIQUE
LUNETTES DE SÉCURITÉ
CISAILLES À MÉTAL

INSTALLATION SANS ATTELAGE D'ORIGINE EXISTANT

REMARQUE : Montage général - assembler, sans serrer, la section centrale (page 1) ; installer, sans serrer, les supports latéraux sur le véhicule (cette page) ; installer l'assemblage de la section centrale (page 2-3) ; serrer toutes les attaches selon les directives (page 1).

FORD ESCAPE / MAZDA TRIBUTE 2001-04 - TOUS LES MODÈLES (VÉHICULES SANS ATTELAGE DE REMORQUE D'ORIGINE)

1. Enlever le protecteur thermique sur les modèles 2002 et précédent.
2. Utiliser le fil de traction pour installer deux (2) boulons mécaniques 7/16" (11mm) x 1-3/4 (44mm) avec des plaques de boulons 1/4" (6mm) en passant par le trou d'accès à l'extrémité du cadre et dans les deux (2) derniers trous existants, de chaque côté.
3. Soulever les supports latéraux pour les mettre en position, aligner le trou 1 du support avec le dernier boulon mécanique. Installer, sans serrer, des rondelles coniques 7/16" (11mm) et des écrous hexagonaux sur les boulons. Répéter pour l'autre côté.

REMARQUE : Ne pas serrer le boulon mécanique du trou 2, avant la réinstallation du protecteur thermique. (Étape 6).

4. Utiliser le trou 4 du support latéral comme guide et percer un trou de 1/2" (12,7mm) dans le cadre. Installer un boulon mécanique 7/16" (11mm) x 1-3/4"(19MM) (44mm) avec une plaque de boulon 1/4" (6mm) en passant par le trou d'accès et dans le trou percé. Mettre un bloc conique et un espaceur 3/16" (5mm) entre le cadre et le support.

Installer une rondelle conique 7/16" (11mm) et un écrou hexagonal sur le boulon. De chaque côté.

5. Installer la section centrale selon L'EMPLACEMENT DU SUPPORT LATÉRAL 3. (Voir page 3).
6. Pour tailler le protecteur thermique, couper une fente de 3/4"(19MM) (2cm) de large par approximativement 11" (27,5cm) de long comme indiqué sur la photo. Percer un trou de 1/2" (12,7mm) dans le protecteur à 3-7/8" (9,7cm) du trou existant sur le protecteur. Enlever, temporairement, l'écrou et la rondelle du boulon mécanique central. Réinstaller le protecteur thermique autour du support. Le boulon mécanique central devrait s'aligner avec le trou percé dans le protecteur thermique.

Réinstaller la rondelle conique 7/16" (11mm) et l'écrou hexagonal.

VÉHICULES AVEC UN ATTELAGE D'ORIGINE EXISTANT

1. Enlever le protecteur thermique sur les modèles 2002 et précédent.
2. Élargir la fente située à l'avant du bas du cadre pour faire de l'espace pour la plaque de boulon 1/4" (6mm) x 1 (25mm) x 2" (50mm), sur les deux côtés.
3. Soulever les supports latéraux pour les mettre en position, aligner le trou 1 du support avec le dernier écrou à souder. Installer, sans serrer, le boulon hexagonal 12mm avec une rondelle de blocage 1/2" (12,7mm), sur les deux côtés comme indiqué.
4. Utiliser les trous 2 et 4 du support latéral comme guide et percer un trou de 1/2" (12,7mm) dans le cadre. Utiliser le fil de traction pour installer des boulons mécaniques 7/16" (11mm) x 1-3/4 (44mm) avec des plaques de boulons 1/4" (6mm) en passant par le trou d'accès et dans les trous percés. Installer une rondelle conique 7/16" (11mm) et un écrou hexagonal sur le boulon. De chaque côté.

REMARQUE : Ne pas serrer le boulon mécanique du trou 2, avant la réinstallation du protecteur thermique. (Étape 6 ci-dessus).

5. Consulter les étapes 5 et 6 ci-dessus pour les dernières informations d'installation.

CONSULTER LES DIRECTIVES POUR L'EMPLACEMENT DU SUPPORT LATÉRAL POUR CONNAÎTRE LA SÉQUENCE ADÉQUATE DE SERRAGE DES BOULONS.

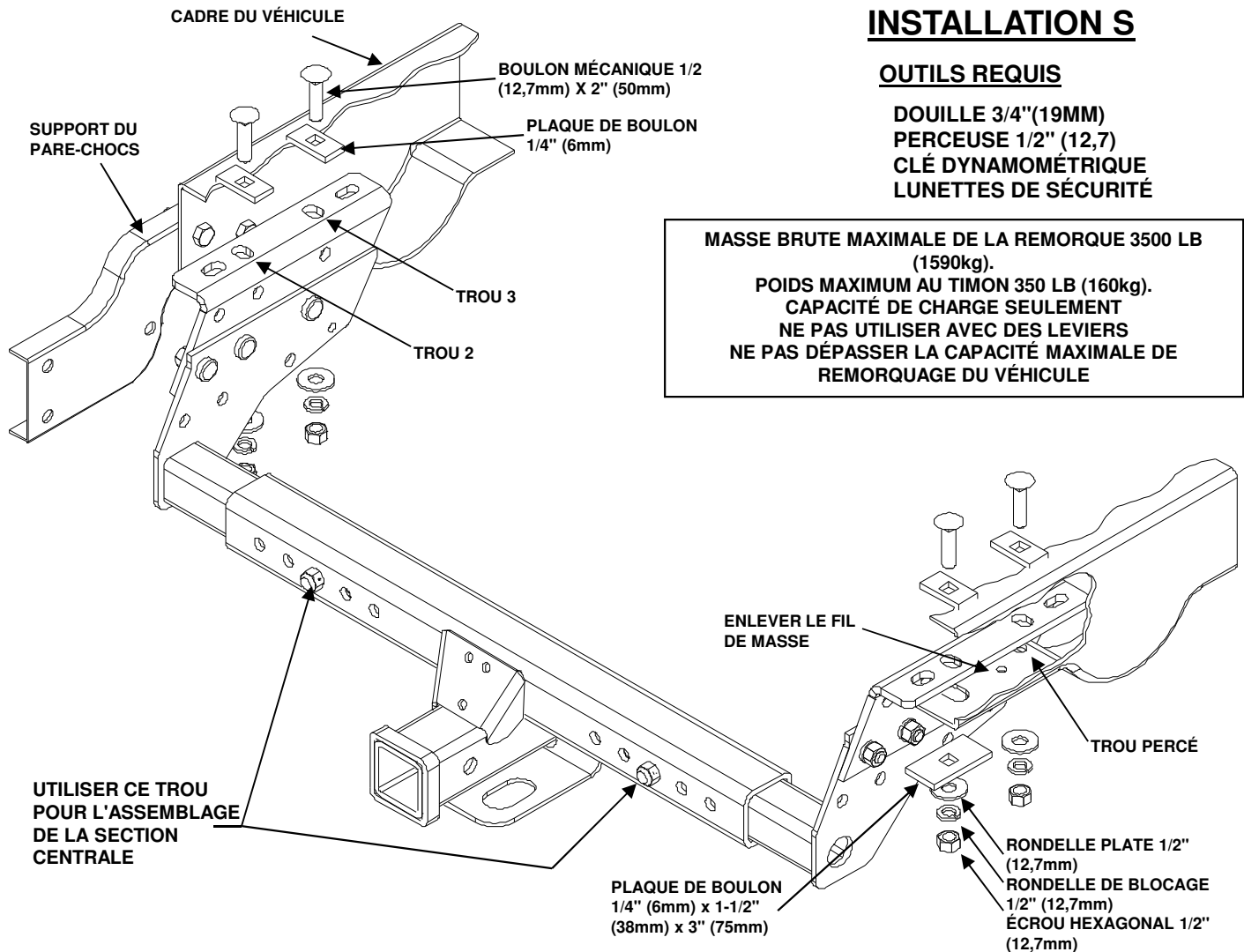
INSTALLATION S

OUTILS REQUIS

DOUILLE 3/4"(19MM)
PERCEUSE 1/2" (12,7)
CLÉ DYNAMOMÉTRIQUE
LUNETTES DE SÉCURITÉ

MASSE BRUTE MAXIMALE DE LA REMORQUE 3500 LB
(1590kg).

POIDS MAXIMUM AU TIMON 350 LB (160kg).
CAPACITÉ DE CHARGE SEULEMENT
NE PAS UTILISER AVEC DES LEVIERS
NE PAS DÉPASSER LA CAPACITÉ MAXIMALE DE
REMORQUAGE DU VÉHICULE



REMARQUE :

Montage général - assembler, sans serrer, la section centrale (page 1) ; et les supports latéraux sur le véhicule (cette page) ; installer l'assemblage de la section centrale (page 2-3) ; serrer toutes les attaches selon les directives (page 1).

CHEVROLET S-10 / GMC S-15 2001-04 CAISSE COURTE (4 X 4 SEULEMENT) ET CABINE DOUBLE ISUZU HOMBRE 1998-2000 CAISSE COURTE (4 X 4 SEULEMENT)

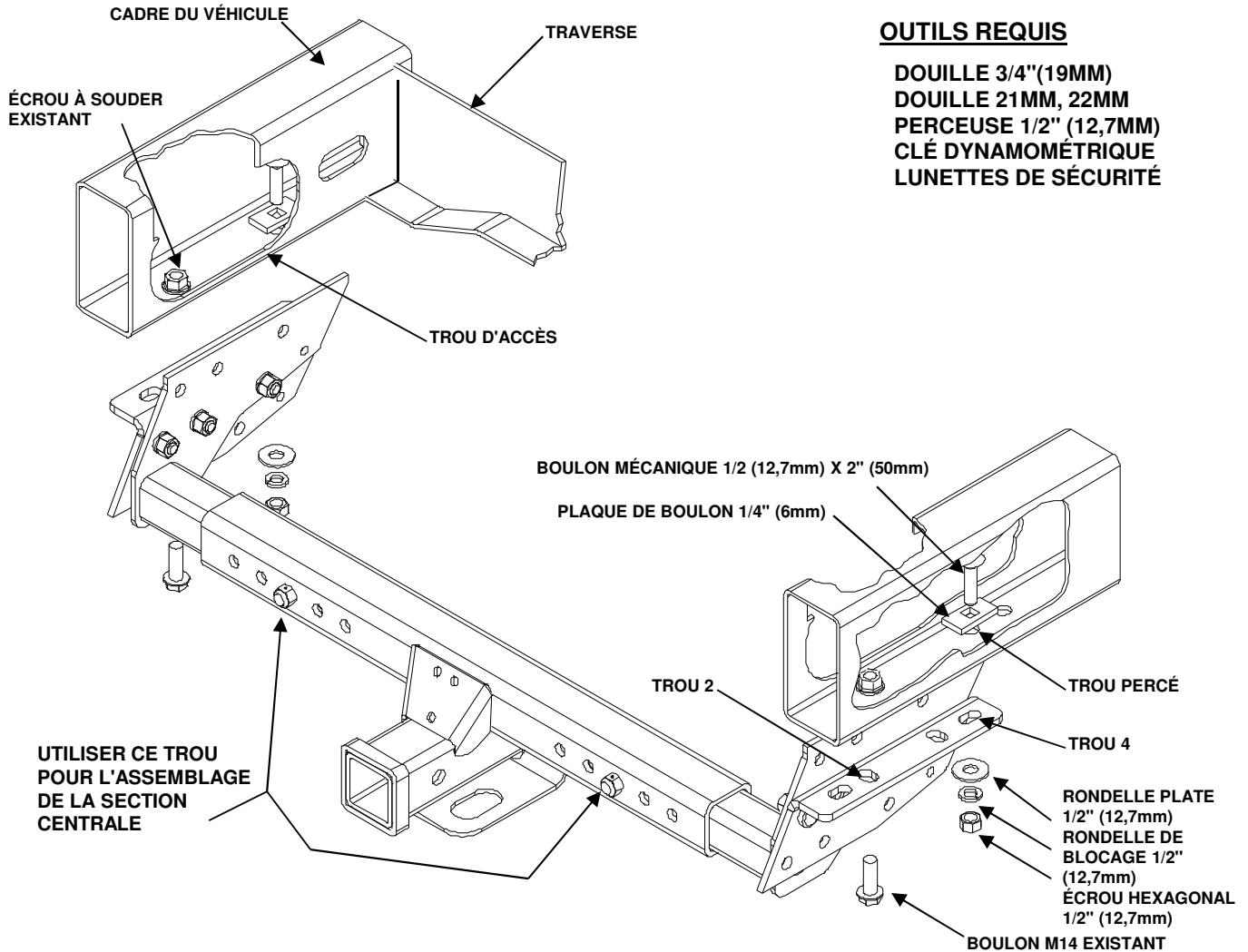
1. Débrancher le fil de masse de la surface inférieure du cadre latéral du côté passager.
2. Soulever les supports latéraux pour les mettre en position. Mettre la patte d'assemblage des supports sur le dessus du cadre comme indiqué. Aligner le trou 2 du support avec le grand trou près de l'extrémité du cadre.
3. Installer un boulon mécanique 1/2" (12,7mm) x 2" (50mm) avec une plaque de boulon 1/4" (6mm) dans le trou 2 du support latéral et dans le grand trou à l'extrémité du cadre. Mettre un bloc 1/4" (6mm) x 1-1/2" (38mm) x 3" (75mm) sur le boulon mécanique et installer, sans serrer, une rondelle plate 1/2" (12,7mm), une rondelle de blocage et un écrou hexagonal.
4. Mesurer 3-3/4"(19MM) (9,5cm) à partir du centre du boulon mécanique et vers l'avant, et percer un trou 1/2" (12,7mm) dans le bas du cadre.
REMARQUE : Le trou percé devrait s'aligner avec le trou 3 du support latéral.
5. Installer un boulon mécanique 1/2" (12,7mm) x 2" (50mm) avec une plaque de boulon 1/4" (6mm) dans le trou 3 du support latéral et dans le trou percé au bas du cadre. Installer, sans serrer, une rondelle plate 1/2" (12,7mm), une rondelle de blocage et un écrou hexagonal de chaque côté.
6. Installer la section centrale selon L'EMPLACEMENT DU SUPPORT LATÉRAL 3. (Voir page 3).
7. Reconnecter le fil de masse à l'un des trous inutilisés du support latéral ou de la plaque.

CONSULTER LES DIRECTIVES POUR L'EMPLACEMENT DU SUPPORT LATÉRAL POUR CONNAÎTRE LA SÉQUENCE ADÉQUATE DE SERRAGE DES BOULONS.

INSTALLATION T

OUTILS REQUIS

DOUILLE 3/4"(19MM)
DOUILLE 21MM, 22MM
PERCEUSE 1/2" (12,7MM)
CLÉ DYNAMOMÉTRIQUE
LUNETTES DE SÉCURITÉ



REMARQUE :

Montage général - assembler, sans serrer, la section centrale (page 1) et les supports latéraux sur le véhicule (cette page) ; installer l'assemblage de la section centrale (page 2-3) ; serrer toutes les attaches selon les directives (page 1).

CHEVROLET SUBURBAN, TAHOE, GMC YUKON, YUKON XL 2000-06 - EXCEPTÉ 03-06 DENALI

1. Enlever le boulon 14mm existant dans le bas du cadre, des deux côtés.
2. Soulever les supports latéraux pour les mettre en position, aligner le trou 2 du support avec l'écrou à souder existant. Réinstaller, sans serrer, les boulons 14mm enlevés à l'étape 1.
3. Utiliser le trou 4 du support latéral comme guide et percer un trou de 1/2" (12,7mm) dans le cadre. Installer un boulon mécanique 1/2" (12,7mm) x 2" (50mm) avec une plaque de boulon 1/4" (6mm) en passant par le trou d'accès et dans le trou percé. Installer une rondelle plate 1/2" (12,7mm), une rondelle de blocage et un écrou hexagonal sur le boulon. Répéter pour l'autre côté.
4. Installer la section centrale selon L'EMPLACEMENT DU SUPPORT LATÉRAL 4. (Voir page 3).

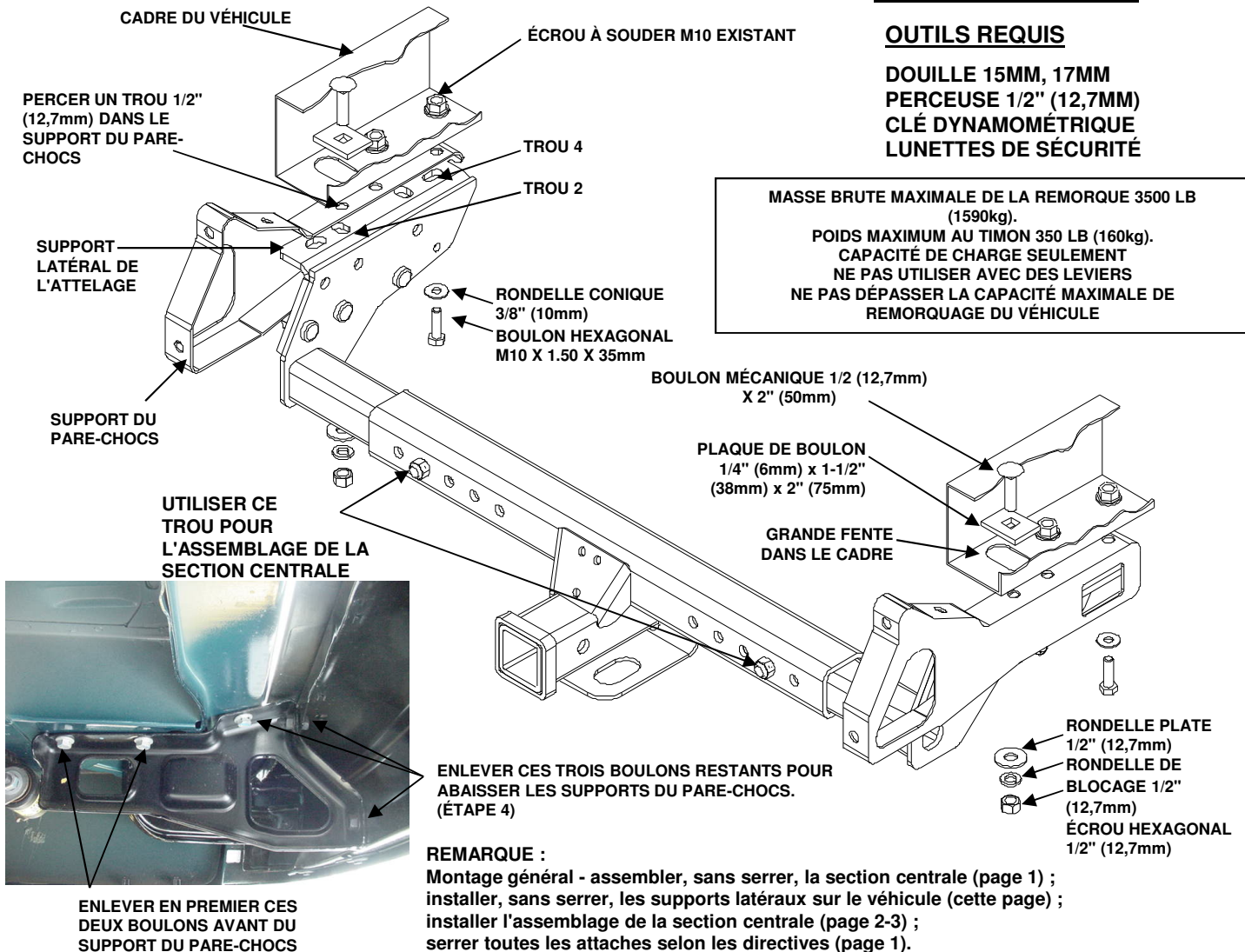
CONSULTER LES DIRECTIVES POUR L'EMPLACEMENT DU SUPPORT LATÉRAL POUR CONNAÎTRE LA SÉQUENCE ADÉQUATE DE SERRAGE DES BOULONS.

INSTALLATION U

OUTILS REQUIS

DOUILLE 15MM, 17MM
PERCEUSE 1/2" (12,7MM)
CLÉ DYNAMOMÉTRIQUE
LUNETTES DE SÉCURITÉ

MASSE BRUTE MAXIMALE DE LA REMORQUE 3500 LB (1590kg).
POIDS MAXIMUM AU TIMON 350 LB (160kg).
CAPACITÉ DE CHARGE SEULEMENT
NE PAS UTILISER AVEC DES LEVIERS
NE PAS DÉPASSER LA CAPACITÉ MAXIMALE DE
REMORQUAGE DU VÉHICULE



CHEVROLET ASTRO ET GMC SAFARI VAN 1990-2005 (MODÈLES ALLONGÉS SEULEMENT)

1. Enlever les deux (2) boulons avant du support du pare-chocs et les remettre au propriétaire du véhicule, de chaque côté.
2. Soulever les supports latéraux de l'attelage pour les mettre en position, aligner le trou 4 du support avec l'écrou à souder le plus en avant du cadre. Installer le boulon hexagonal M10 fourni avec une rondelle conique 3/8" (10mm) sur l'écrou à souder du cadre et le serrer à la main.
3. Assurez-vous que les supports latéraux de l'attelage sont parallèles au cadre et faire une marque à travers le trou 2 du support de l'attelage sur les supports du pare-chocs du véhicule. Enlever les boulons M10 et les rondelles et abaisser temporairement les supports latéraux.
4. Enlever les trois (3) boulons restants du support du pare-chocs et enlever, du véhicule, les supports du pare-chocs. (Conserver les boulons pour la réinstallation à l'étape 6.) Percer un trou 1/2" (12,7mm) dans les supports du pare-chocs aux endroits marqués.
5. Insérer un boulon mécanique 1/2" (12,7mm) x 2" (50mm) avec une plaque de boulon 1/4" (6mm) x 1-1/2" (38mm) x 2" (50mm) dans la grande fente du cadre, de chaque côté comme indiqué.
6. Aligner le trou percé dans le support du pare-chocs avec le boulon mécanique et réinstaller les supports du pare-chocs en utilisant les trois (3) boulons enlevés à l'étape 4.
7. Soulever les supports latéraux de l'attelage pour les mettre en position, aligner le trou 2 et le boulon mécanique et installer, sans serrer, des rondelles plates 1/2" (12,7mm), des rondelles de blocage et des écrous hexagonaux. Réinstaller le boulon hexagonal M10 fourni avec une rondelle conique 3/8" (10mm) sur l'écrou à souder avant du cadre.
8. Installer la section centrale selon L'EMPLACEMENT DU SUPPORT LATÉRAL 2. (Voir page 2).

CONSULTER LES DIRECTIVES POUR L'EMPLACEMENT DU SUPPORT LATÉRAL POUR CONNAÎTRE LA SÉQUENCE ADÉQUATE DE SERRAGE DES BOULONS.

TABLEAU D'UTILISATION 37152/37136

ANNÉES MODÈLES

MARQUE ET MODÈLE	82	83	84	85	86	87	88	89	90	91	92	93	94	95	96	97	98	99	00	01	02	03	04	05	06	07
* CHEVROLET ASTRO (PROLONGÉ SEULEMENT)									U	U	U	U	U	U	U	U	U	U	U	U	U	U	U	U		
CHEVROLET BLAZER											A	A	A													
FOURGON CHEVROLET STANDARD															P	P	P	P	P	P	P	P	P	P	P	P
* CHEVROLET S-10 PICK UP - CABINE D'ÉQUIPAGE																				S	S	S	S			
CHEVROLET S-10 PICK UP LONG LIT 2 & 4WD		C	C	C	C	C	C	C	C	C	C	C	C	C	C	C	C	C	C	C	C	C	C	C	C	C
* CHEVROLET S-10 PICK UP COURT LIT 4WD SEULEMENT																			S	S	S	S	S	S	S	
CHEVROLET SUBURBAN											A	A	A	A	A	A	A	A	T	T	T	T	T	T	T	T
CHEVROLET TAHOE															A	A	A	A	A	T	T	T	T	T	T	T
CHRYSLER TOWN & COUNTRY (except é des sieges de stow & go)									A	A	A	A	A	A	B	B	B	B	B	B	B	B	B	B	B	B
CHRYSLER VOYAGER																					B	B	B			
DODGE CARAVAN (except é des sieges de stow & go)				A	A	A	A	A	A	A	A	A	A	A	B	B	B	B	B	B	B	B	B	B	B	B
DODGE DAKOTA (LONG LIT)					A	A	A	A	A	A	A	A	A	A	A	A	A									
DODGE DAKOTA (SHORT LIT)					G	G	G	G	G	G	G	G	G	G	G	G	G	G	G	G	G	G	G	G	G	G
DODGE DAKOTA QUAD CAB																				G	G					
DODGE RAMCHARGER		C	C	C	C	C	C	C	C	C	C	C	C													
FORD AEROSTAR (RALLONGE)						I	I	I	I	I	I	I	I	I	I	I										
FORD BRONCO		A	A	A	A	A	A	A	A	A	A	A	A	A	A											
FORD BRONCO II				M	M	M	M	M	M																	
FORD ESCAPE																					R	R	R	R		
FORD RANGER (SAUF 98-07 FLARE SIDE)		F	F	F	F	F	F	F	F	F	F	F	F	F	F	F	F	F	F	F	F	F	F	F	F	F
* FORD WINDSTAR																				Q	Q	Q	Q			
FOURGON GMC STANDARD															P	P	P	P	P	P	P	P	P	P	P	P
* GMC S-15 - CABINE D'ÉQUIPAGE																					S	S	S	S		
GMC S-15 & SONOMA LONG LIT 2 & 4WD		C	C	C	C	C	C	C	C	C	C	C	C	C	C	C	C	C	C	C	C	C	C	C	C	C
* GMC S-15 & SONOMA COURT LIT 4WD SEULEMENT																				S	S	S	S	S	S	
* GMC SAFARI (PROLONGÉ SEULEMENT)									U	U	U	U	U	U	U	U	U	U	U	U	U	U	U	U	U	U
GMC SUBURBAN											A	A	A	A	A	A	A									
GMC YUKON & YUKON XL (SAUF DENALI)											A	A	A	A	A	A	A	A	T	T	T	T	T	T	T	T
* ISUZU HOMBRE (4 X 4 SEULEMENT)																			S	S	S					
JEEP CHEROKEE, XJ			I	I	I	I	I	I	I	I	I	I	I	I	I	J	J	J	J	J						
JEEP GRAND CHEROKEE												K	K	K	K	K	K									
JEEP LIBERTY																						L	L	L	L	L
CAMONNETTE MAZDA (SAUF 98-07 FLARE SIDE)								E	E	E	E	F	F	F	F	F	F	F	F	F	F	F	F	F	F	F
MAZDA TRIBUTE																					R	R	R	R		
CAMONNETTENISSAN & FRONTIER (w/56" LITS)						C	C	C	C	C	C	C	C	C	C	C	C	C	C	C	C	C	C	C	C	C
CAMONNETTENISSAN & FRONTIER (w/75" LITS)						H	H	H	H	H	H	H	H	H	H	H	H	H	H	H	H	H	H	H	H	H
PLYMOUTH VOYAGER ALL			A	A	A	A	A	A	A	A	A	A	A	A	B	B	B	B	B							

* = MASSE BRUTE MAXIMALE DE LA REMORQUE 3500 LB (1590kg). ET POIDS MAXIMUM AU TIMON 350 LB (160kg) - NE PAS DÉPASSER LA CAPACITÉ MAXIMALE DE REMORQUAGE DU VÉHICULE NE PAS UTILISER AVEC UN SYSTÈME DE RÉPARTITION DE POIDS À LEVIERSAPPLIQUEZ L'ÉTIQUETTE #110990 D'ESTIMATION DE CHARGE À CROSSTUBE COMME MONTRÉ À LA PAGE 1.

CE PRODUIT EST CONFORME AUX NORMES DE SÉCURITÉ DE L'ÉTAT DE NEW YORK ET RESPECTE LA RÉGLEMENTATION V-5 DE VESC CONCERNANT LES DISPOSITIFS DE BRANCHEMENT ET LES SYSTÈMES DE REMORQUAGE. LA CAPACITÉ DE RÉPARTITION DE POIDS DE L'ATTELAGE EST: MASSE BRUTE MAXIMALE DE LA REMORQUE 6,000 LB. (2,720kg), ET POIDS MAXIMUM AU TIMON 600 LB (272kg). LA CAPACITÉ DE CHARGE DE L'ATTELAGE EST: MASSE BRUTE MAXIMALE DE LA REMORQUE 5000 LB. (2,268kg), ET POIDS MAXIMUM AU TIMON 500 LB (227kg). CONSULTER LE MANUEL D'UTILISATION DU VÉHICULE POUR LES RECOMMANDATIONS ET LIMITES DE REMORQUAGE.

GARANTIE LIMITÉE

Cette garantie limitée couvre des produits produits par Cequent Consumer Products, Inc., ou produits de remorquage de Cequent, Inc. (herein collectivement "Cequent"). Cequent garantit ses attelages, ses récepteurs d'attelage personnalisés, et ses dispositifs stabilisateurs à partir de la date d'achat contre les défauts matériels ou de fabrication, à l'exception de l'usure normale, à condition que l'utilisation de l'appareil soit normale, pendant toute la durée de possession par l'acheteur original. Cequent remplacera SANS AUCUN FRAIS toute pièce jugée défectueuse à cause d'un défaut matériel ou de fabrication qui sera présentée à n'importe quel revendeur Cequent, entrepôt Cequent ou retournée à l'usine. FRAIS DE TRANSPORT PRÉPAYÉS, à l'adresse ci-dessous. CETTE GARANTIE SE LIMITE SEULEMENT AU REMPLACEMENT DES PIÈCES DÉFECTUEUSES. LES FRAIS DE MAIN-D'OEUVRE OU LES DOMMAGES ENCOURUS PENDANT L'INSTALLATION OU LE REMPLACEMENT, DE MÊME QUE LES DOMMAGES ACCESSOIRES OU INDIRECTS, RELIÉS À CECI SONT EXCLUS. Certains états ne permettent pas l'exclusion ou la limitation des dommages accessoires ou indirects, par conséquent, vous n'êtes peut-être pas soumis à la clause de limitation ou d'exclusion ci-dessus. Tout dommage à l'attelage, au récepteur d'attelage personnalisé, ou au dispositif stabilisateur résultant d'une mauvaise utilisation, abus, négligence, accident, installation inadéquate ou une utilisation ne respectant pas les directives que nous fournissons, ANNULERA LA GARANTIE.

La présente garantie vous donne des droits juridiques précis. Il se peut que vous jouissiez de droits supplémentaires variant d'une province ou d'un état à l'autre. Dans l'éventualité d'un problème avec le service sous garantie ou la performance, Il vous est peut-être possible de recourir à la cours des petites créances, une cour provinciale ou fédérale.

Towing Products
27070 Miles Rd,
Solon, OH 44139.

INSTRUCCIONES DE INSTALACIÓN

PICKUP PEQUEÑA

AJUSTE MÚLTIPLE

No. Producto

37152

37136

PARTES PEQUEÑAS
EMPAQUE 37620

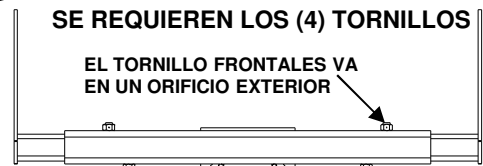
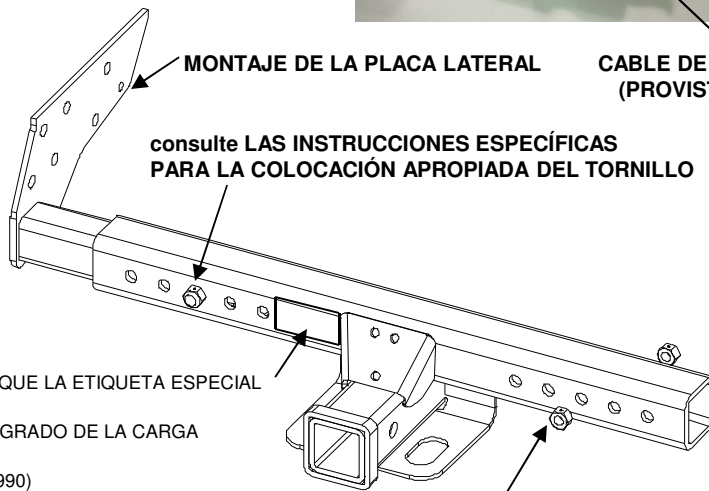
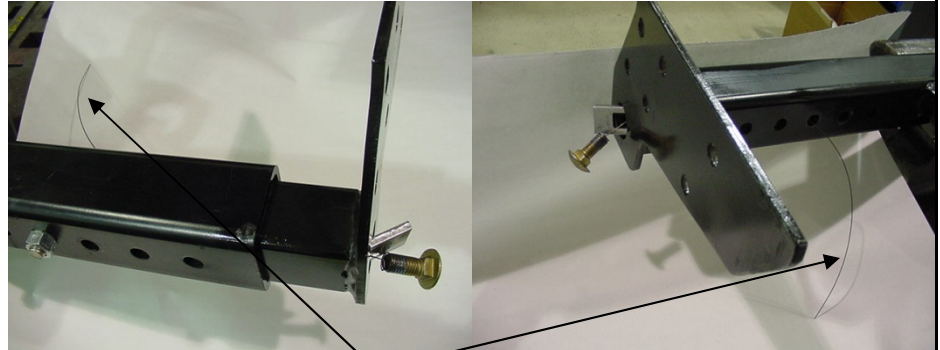
Cequent Products

ADVERTENCIA: No lubrique las roscas; los tornillos pueden romperse si se aprietan excesivamente.
ADVERTENCIA: No taladre ni suelde en este enganche.

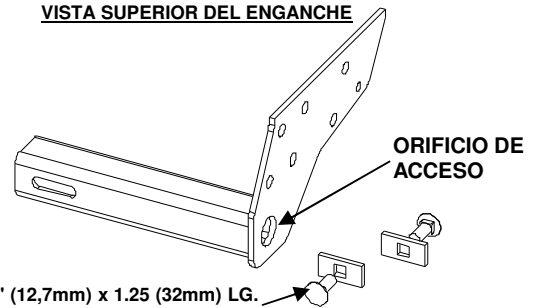
NOTAS IMPORTANTES
Use solamente tornillos, contratuercas y arandelas suministrados o aprobados por **Reese** para instalar este enganche.

EQUIPO NECESARIO

DADO 3/4" (19MM)
DADO 1 1/16" (17MM)
DADO 9/16" (14MM)
DADO DE 15MM, 17MM
DADO DE 18MM, 19MM
DADO DE 21MM, 22MM
LLAVE DE TORSIÓN
GAFAS DE SEGURIDAD
LLAVE TORX T50



VISTA SUPERIOR DEL ENGANCHE



MONTAJE DE LA SECCIÓN CENTRAL

TORNILLO DE COCHE DE 1/2" (12,7mm) x 1.25 (32mm) LG.
PLACA DEL TORNILLO 1/4" (6mm) x 1" (25mm) x 2" (50mm)
ARAN. DE BL. HEXAGONAL DE 1/2 (12,7mm)

INSTRUCCIONES GENERALES:

1. Inserte los montajes de la placa lateral dentro de la sección central del enganche. Consulte las instrucciones específicas para colocar el tornillo apropiadamente. Inserte el extremo curvo del gancho a través del orificio apropiado por la parte posterior de la sección central y del orificio de acceso en la placa. Una la placa del perno de 1/4" (6mm) y el tornillo de coche 1/2 (12,7mm) x 1-1/4 LG (32mm), tal como se muestra. Tire de los sujetadores y una vez flojos instale la contratuerca hexagonal 1/2 (12,7mm). Repita los pasos para cada sujetador. La llanta de refacción podría requerirse hacerla descender para instalar la sección central del enganche. Se podrá volver a colocar posteriormente.
2. Consulte la tabla de aplicación para determinar la instalación correcta de su vehículo. (Última página de cada idioma.)

PARA TODAS LAS INSTALACIONES:

1. Aplique en todas las tuercas de 3/8" (10mm) una torsión de 35 lb/pie (48 Nm).
2. Aplique una torsión de 65 lb/pie (88 Nm) a todos los tornillos y tuercas de 12mm.
3. Aplique una torsión de 50 lb/pie (68 Nm) a todo componente de 7/16" (11mm).
4. Aplique una torsión de 75 lb/pie (102 Nm) a todo componente de 1/2" (12,7mm).
5. Aplique un torsión de 53 lb/pie (72 Nm) a todo componente 10mm CL10.9.
6. Aplique una torsión de 60 lb/pie (81 Nm) a todo Torx de 10mm.
7. Aplique una torsión de 100 lb/pie (136 Nm) a todo componente de 5/8" (16mm).
8. Vuelva a apretar la llanta de refacción si se aflojó.

NOTA: No se usarán todos los componentes en cada una de las instalaciones. Pinte toda superficie de metal desprotegida para evitar que se oxide.

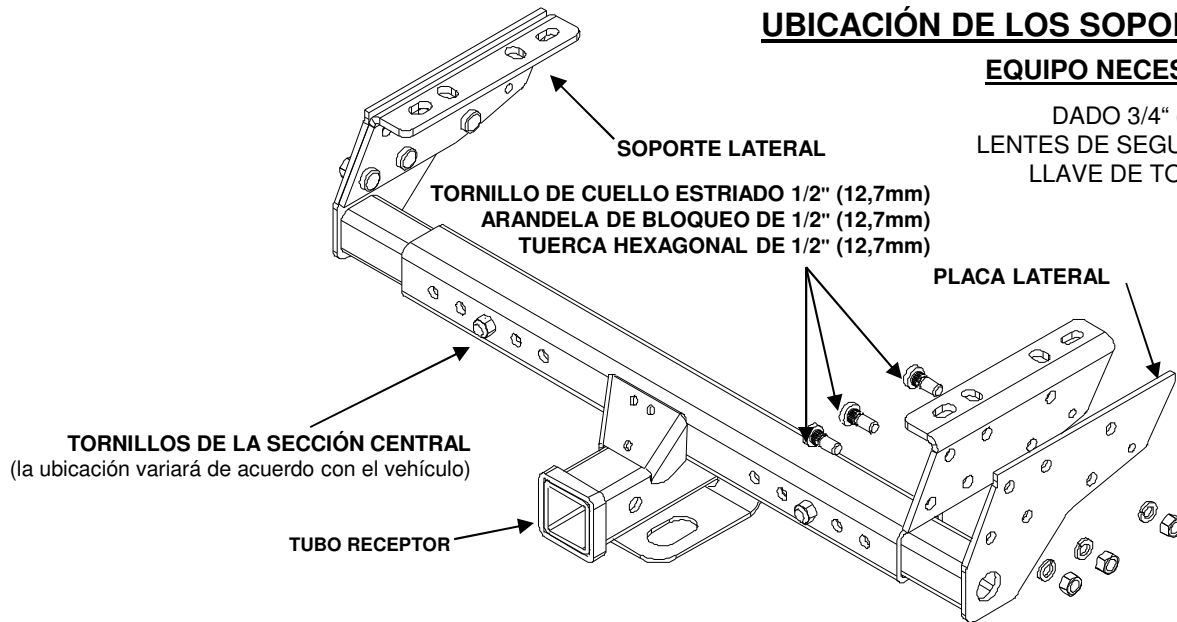
Para solicitar ayuda en la instalación o ayuda técnica, visite nuestro sitio web en:

www.cequentgroup.com o llame gratis al 1-800-234-6992

UBICACIÓN DE LOS SOPORTES

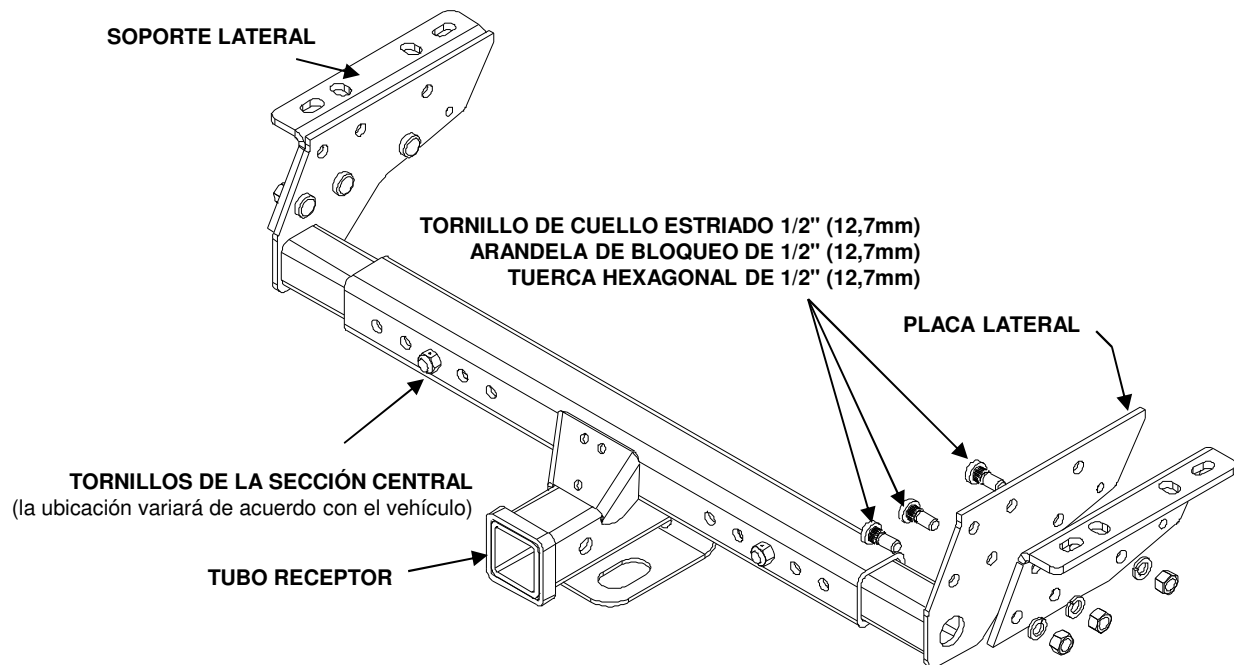
EQUIPO NECESARIO

DADO 3/4" (19mm)
LENTES DE SEGURIDAD
LLAVE DE TORSIÓN



1. Instale los soportes laterales en el vehículo sin apretarlos de acuerdo con las instrucciones específicas.
Alinee los orificios en la placa lateral con el soporte lateral tal como se muestra.
2. Instale los tornillos de cuello estriado de 1/2" (12,7mm), las arandelas de 1/2" (12,7mm) y las tuercas hexagonales de 1/2" (12,7mm).
3. Primero - Apriete los tornillos de cuello estriado con 90 lb/pie (122 Nm) para asentar el tornillo, después afloje y vuelva a apretar con 75 lb/pie (102 Nm).
4. Segundo - Apriete los sujetadores de los soportes laterales de acuerdo con las especificaciones.
(Consulte las instrucciones generales de la página 1 para conocer las especificaciones.)
5. Centre el tubo receptor en el vehículo y apriete los sujetadores de la sección central a 75 lb/pie (102 Nm).

UBICACIÓN DEL SOPORTE LATERAL 1.



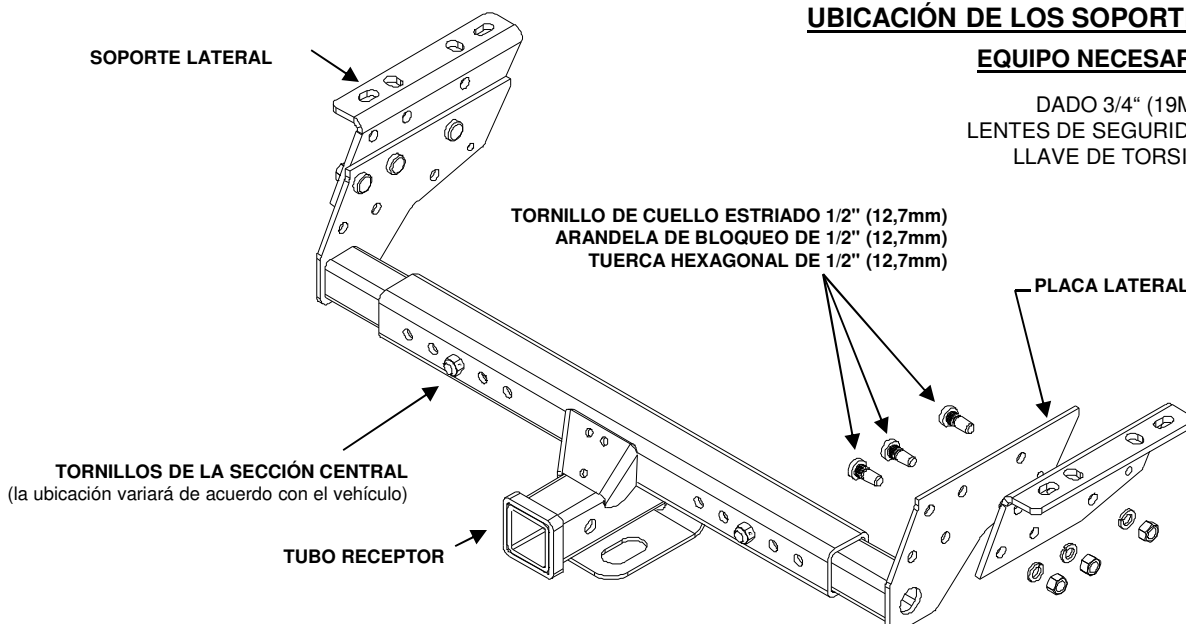
1. Instale los soportes laterales en el vehículo sin apretarlos de acuerdo con las instrucciones específicas.
Alinee los orificios en la placa lateral con el soporte lateral tal como se muestra.
2. Instale los tornillos de cuello estriado de 1/2" (12,7mm), las arandelas de 1/2" (12,7mm) y las tuercas hexagonales de 1/2" (12,7mm).
3. Primero - Apriete los tornillos de cuello estriado con 90 lb/pie (122 Nm) para asentar el tornillo, después afloje y vuelva a apretar con 75 lb/pie (101.7 Nm).
4. Segundo - Apriete los sujetadores de los soportes laterales de acuerdo con las especificaciones.
(Consulte las instrucciones generales de la página 1 para conocer las especificaciones.)
5. Centre el tubo receptor en el vehículo y apriete los sujetadores de la sección central a 75 lb/pie (102 Nm).

UBICACIÓN DEL SOPORTE LATERAL 2.

UBICACIÓN DE LOS SOPORTES

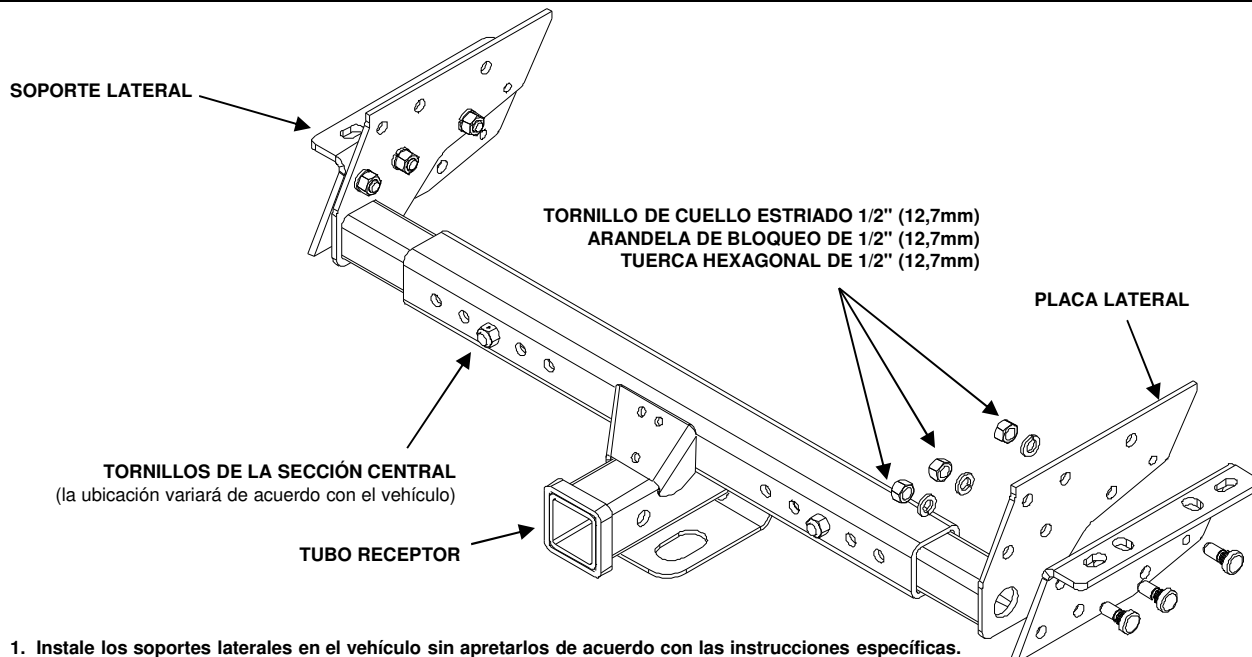
EQUIPO NECESARIO

DADO 3/4" (19MM)
LENTES DE SEGURIDAD
LLAVE DE TORSIÓN



1. Instale los soportes laterales en el vehículo sin apretarlos de acuerdo con las instrucciones específicas. Alinee los orificios en la placa lateral con el soporte lateral tal como se muestra.
2. Instale los tornillos de cuello estriado de 1/2" (12,7mm), las arandelas de 1/2" (12,7mm) y las tuercas hexagonales de 1/2" (12,7mm) tal como se muestra.
3. Primero - Apriete los tornillos de cuello estriado con 90 lb/pie (122 Nm) para asentar el tornillo, después afloje y vuelva a apretar con 75 lb/pie (102 Nm).
4. Segundo - Apriete los sujetadores de los soportes laterales de acuerdo con las especificaciones. (Consulte las instrucciones generales de la página 1 para conocer las especificaciones.)
5. Centre el tubo receptor en el vehículo y apriete los sujetadores de la sección central a 75 lb/pie (102 Nm).

UBICACIÓN DEL SOPORTE LATERAL 3.



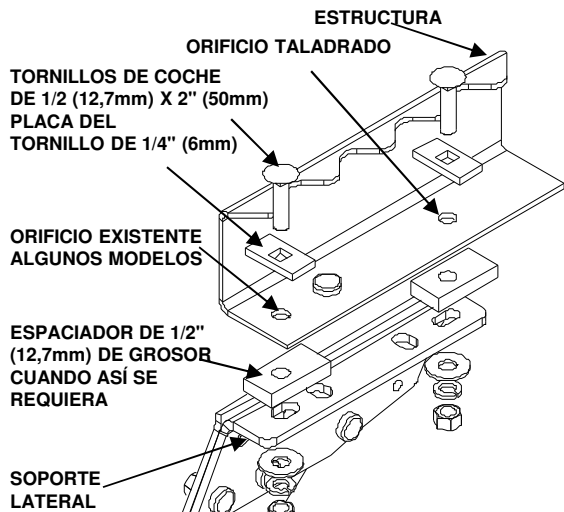
1. Instale los soportes laterales en el vehículo sin apretarlos de acuerdo con las instrucciones específicas. Alinee los orificios en la placa lateral con el soporte lateral tal como se muestra.
2. Instale los tornillos de cuello estriado de 1/2" (12,7mm), las arandelas de 1/2" (12,7mm) y las tuercas hexagonales de 1/2" (12,7mm).
3. Primero - Apriete los tornillos de cuello estriado con 90 lb/pie (122 Nm) para asentar el tornillo, después afloje y vuelva a apretar con 75 lb/pie (102 Nm).
4. Segundo - Apriete los sujetadores de los soportes laterales de acuerdo con las especificaciones. (Consulte las instrucciones generales de la página 1 para conocer las especificaciones.)
5. Centre el tubo receptor en el vehículo y apriete los sujetadores de la sección central a 75 lb/pie (102 Nm).

UBICACIÓN DEL SOPORTE LATERAL 4.

EQUIPO NECESARIO

DADO DE 3/4" (19MM) BROCA DE 1/2" (12,7MM)
LLAVE DE TORSIÓN LENTES DE SEGURIDAD

INSTALACIÓN A



NOTA:

Montaje general -
Instale la sección central sin apretar (página 1);
Instale los soportes laterales en el vehículo sin apretar (en esta página);
Instale el montaje de la sección central (página 2-3);
Apriete todos los sujetadores para cumplir con las especificaciones apropiadas (página 1).

USE ESTE ORIFICIO PARA EL MONTAJE DE LA SECCIÓN CENTRAL

ORIFICIO 1

ORIFICIO 4

ARANDELA PLANA DE 1/2" (12,7mm)
ARANDELA DE BLOQUEO DE 1/2" (12,7mm)
TUERCA HEXAGONAL DE 1/2" (12,7mm)

FORD BRONCO 82-96 (TAMAÑO COMPLETO)

1. Coloque los soportes laterales cerca del extremo de la estructura, se alinea el borde posterior del soporte con el extremo de la estructura. Coloque los espaciadores de 1/2" (12,7mm) de grosor entre la estructura y los orificios 1 y 4. Coloque las abrazaderas en su sitio. Taladre orificios de 1/2" (12,7mm) dentro de la estructura usando los orificios 1 y 4 como guías. Inserte un tornillo de coche de 1/2" (12,7mm) con la placa de tornillo hacia abajo y a través de la estructura y dentro del orificio 1.
2. Coloque el tornillo de coche sobre el cable de tiro. Coloque una placa de tornillo encima del tornillo. Tire del extremo libre del cable encima de la parte superior de la estructura y de regreso por debajo, entre el tanque de gasolina y la estructura. Tire del cable a través del orificio 4 y saque el tornillo fuera del orificio. Instale tuercas, arandelas y arandelas de bloqueo de 1/2" (12,7mm) en todos los tornillos.
3. Para el modelo '94 Bronco, mueva el gancho hacia adelante para librar el parachoque e instale el gancho en ese sitio.
4. Instale la sección central de acuerdo a la UBICACIÓN DEL SOPORTE LATERAL 1. (Consulte la página 2).

1986-99 DAKOTA CAMA LARGA

1. Centre los soportes laterales sobre la estructura cerca del extremo para alinear el borde posterior del soporte con el extremo de la estructura. Coloque las abrazaderas de los soportes laterales. Usando los orificios del soporte como guías, taladre un orificio de 1/2" (12,7mm) dentro de la estructura en los orificios 1 y 4. Inserte los tornillos de coche de 1/2" (12,7mm) con las placas de tornillo de 1/4" (6mm) hacia abajo a través de la estructura y dentro de los orificios 1 y 4. Instale las tuercas, contra tuercas y arandelas planas de 1/2" (12,7mm) en los tornillos de coche. Retire las abrazaderas.
2. Algunos modelos requieren espaciadores de 1/2" (12,7mm) entre la estructura y el soporte lateral.
3. Instale la sección central de acuerdo a la UBICACIÓN DEL SOPORTE LATERAL 1. (Consulte la página 2).

92-99 CHEVROLET SUBURBAN, 95-99 TAHOE, 92-99 GMC YUKON, 92-94 BLAZER TAMAÑO COMPLETO, 92-99 GMC SUBURBAN

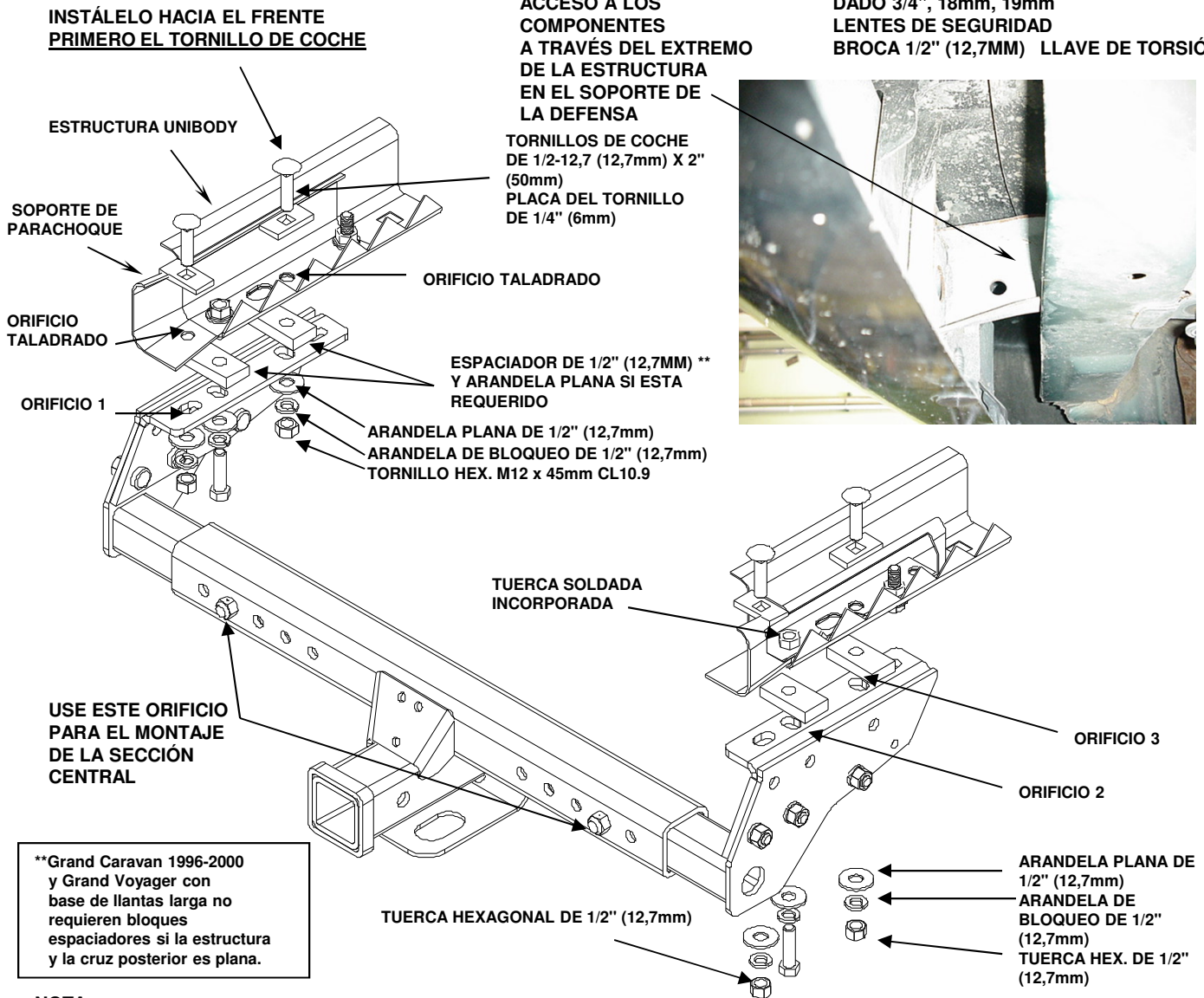
1. Eleve los soportes laterales hasta la estructura. Instale un espaciador de 1/4" (6mm) de grosor en uno de los tornillos de 1/2" (12,7mm). Inserte el tornillo hacia abajo a través del orificio existente dentro de la estructura y el orificio 1. Instale la tuerca hexagonal, la arandela de bloqueo y la arandela plana de 1/2" (12,7mm) en el tornillo. Repita el procedimiento para el otro lado.
2. Usando el orificio 4 como guía, taladre un orificio de 1/2" (12,7mm) en la estructura. Instale un espaciador de 1/4" (6mm) de grosor en el tornillo de 1/2" (12,7mm) e insértelo hacia abajo a través de la estructura y el orificio 4. Instale la tuerca hexagonal, la arandela de bloqueo y la arandela plana de 1/2" (12,7mm) en el tornillo. Repita el procedimiento para el otro lado.
3. Algunos modelos requieren espaciadores de 1/2" (12,7mm) entre la estructura y el soporte lateral.
4. Instale la sección central de acuerdo a la UBICACIÓN DEL SOPORTE LATERAL 1. (Consulte la página 2).

CONSULTE LAS INSTRUCCIONES PARA LA UBICACIÓN DE LOS SOPORTES LATERALES PARA CONOCER LA SECUENCIA APROPIADA PARA EL APRIETE DE LOS TORNILLOS.

INSTALACIÓN B

EQUIPO NECESARIO

DADO 3/4", 18mm, 19mm
LENTE DE SEGURIDAD
BROCA 1/2" (12,7MM) LLAVE DE TORSIÓN



NOTA:

Montaje general - monte sin apretar sección central (página 1); instale sin apretar los soportes laterales en el vehículo (esta página); instale el montaje de la sección central (página 2-3); apriete todos los sujetadores de acuerdo a las especificaciones (página 1).

MOD. 96-03 VOYAGER, 1996-2007 CARAVAN y TOWN & COUNTRY (EXCETO LA OPCIÓN DE ASIENTO DE STOW & GO)

1. Retire los tornillos hexagonales de 12mm de la parte extrema posterior del fondo de la estructura, a ambos lados.

NOTA: No retire el tornillo de 12mm de la parte del frente.

2. Eleve los soportes laterales hasta su sitio, alineando el orificio 2 del soporte con la tuerca soldada existente. Coloque un espaciador de 1/2" (12,7mm) entre el soporte lateral y la estructura, en el orificio 2 (**vea la nota).

3. Instale sin apretar los tornillos hexagonales de 12mm CL10.9, las arandelas de bloqueo de 1/2" (12,7mm) y las arandelas planas dentro de las tuercas soldadas.

4. Usando el extremo más alejado del orificio 1 y el centro del orificio 3 en el soporte lateral como guía, taladre un orificio de 1/2" (12,7mm) en la estructura en los orificios 1 y 3.

5. Coloque un espaciador de 1/2" (12,7mm) entre el soporte lateral y la estructura, en el orificio 3 (**vea la nota).

6. Use el cable de tiro para instalar los tornillos de coche 1/2" (12,7mm) x 2" (50mm) con las placas de tornillo de 1/4" (6mm) a través del acceso en el extremo de la estructura y dentro de los orificios taladrados. NOTA: Instale primero los tornillos de coche de la parte del frente.

7. Instale sin apretar las tuercas, arandelas de bloqueo y arandelas planas de 1/2" (12,7mm) en los tornillos de coche.

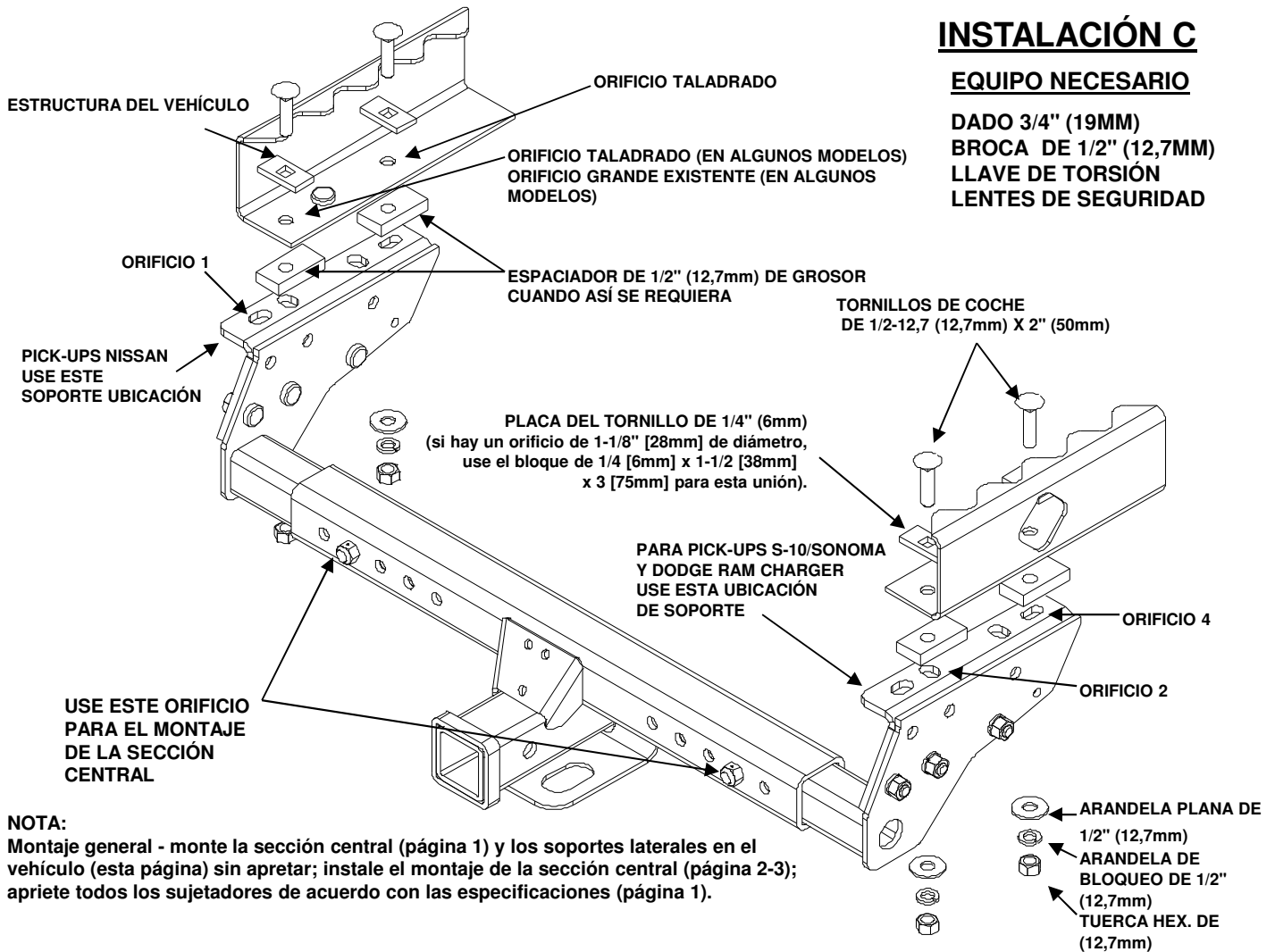
8. Eleve la sección central hasta su posición e instale conforme a la UBICACIÓN DEL SOPORTE LATERAL 1 (vea la página 2).

CONSULTE LAS INSTRUCCIONES PARA LA UBICACIÓN DE LOS SOPORTES LATERALES PARA CONOCER LA SECUENCIA APROPIADA PARA EL APIRIETE DE LOS TORNILLOS.

INSTALACIÓN C

EQUIPO NECESARIO

DADO 3/4" (19MM)
BROCA DE 1/2" (12,7MM)
LLAVE DE TORSIÓN
LENTES DE SEGURIDAD



NOTA:

Montaje general - monte la sección central (página 1) y los soportes laterales en el vehículo (esta página) sin apretar; instale el montaje de la sección central (página 2-3); apriete todos los sujetadores de acuerdo con las especificaciones (página 1).

MOD. 1983-2004 CHEVROLET S-10 / GMC SONOMA - CAMA LARGA / MOD. 1987-2004 NISSAN PICK-UP CON CAMAS DE 56" (1.4m)

1. Centre los soportes laterales sobre la estructura y alinee el orificio 2 debajo del orificio grande (si está presente) cerca del extremo de la estructura.
(Nota: Algunos modelos requieren espaciadores de 1/2" (12,7mm) entre la estructura y el soporte lateral).
2. Inserte los tornillos de coche de 1/2" (12,7mm) con las placas de tornillo de 1/4" (6mm) x 1-1/2 (38mm) x 3" (75mm) hacia abajo a través del orificio grande dentro de la estructura y dentro del orificio 2 en el soporte lateral. Si es necesario use espaciadores de 1/2" (12,7mm).
3. Instale las tuercas, arandelas de bloqueo y arandelas planas de 1/2" (12,7mm) en los tornillos de coche.
4. Usando el orificio 4 del soporte como guía, taladre un orificio de 1/2" (12,7mm) en la estructura en el orificio 4.
5. Instale los tornillos de coche de 1/2" (12,7mm) con las placas de tornillo de 1/4" (6mm) a través del orificio taladrado.
6. Instale las tuercas, arandelas de bloqueo y arandelas planas de 1/2" (12,7mm) en los tornillos de coche.
7. Instale la sección central de acuerdo con la UBICACIÓN DEL SOPORTE LATERAL 1 - UBICACIÓN 2 para las pick-ups Nissan.
(Consulte la página 2.)
**Si no hay un orificio grande cerca del extremo de la estructura:
8. Eleve los soportes laterales aproximadamente en la posición mostrada y coloque las abrazaderas en su sitio. Usando los orificios del soporte lateral como guía, taladre un orificio de 1/2" (12,7mm) dentro de la estructura en los orificios 2 y 4.
9. Vea los pasos 5 al 7 para concluir la instalación.

82-93 DODGE RAM CHARGER

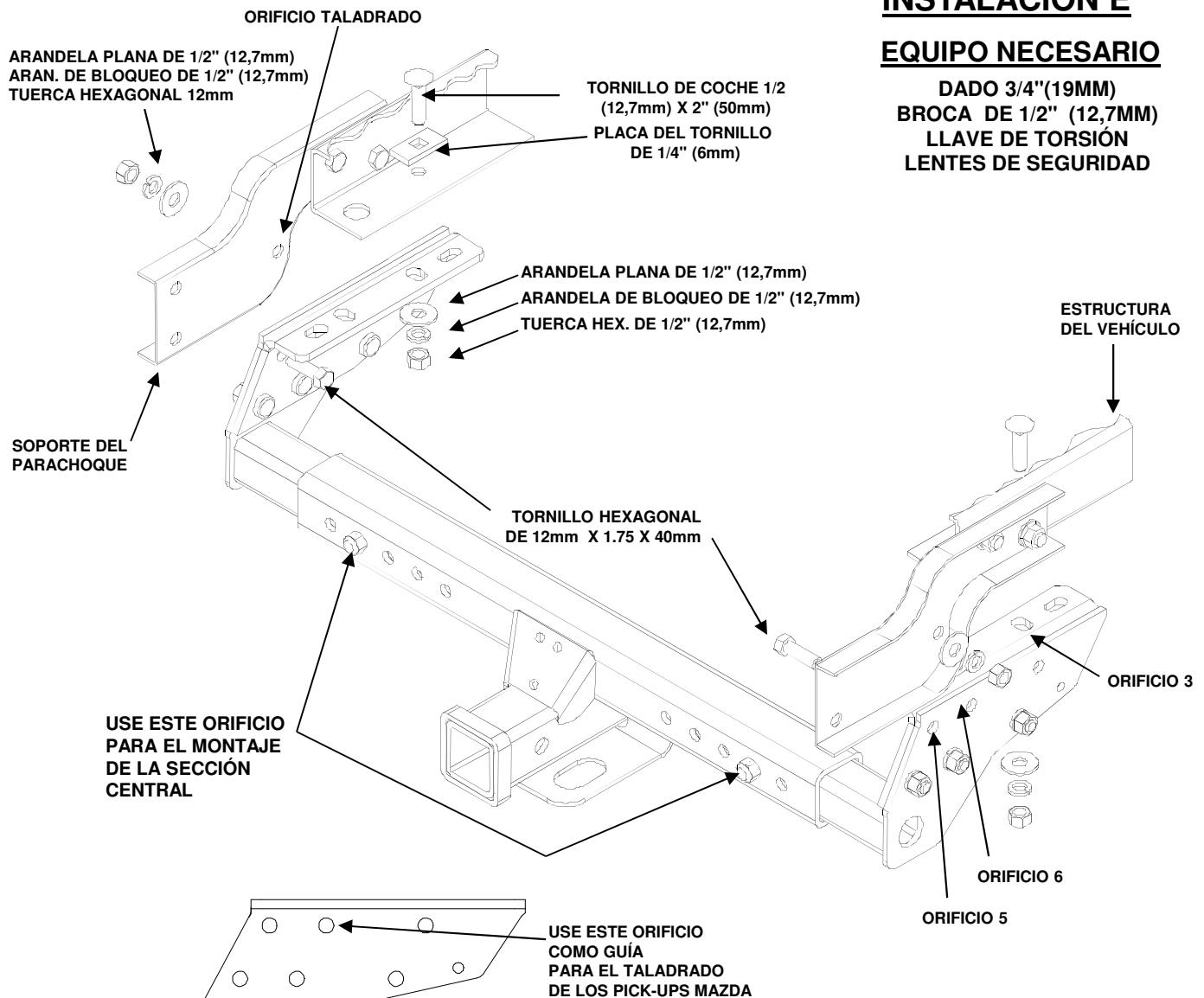
1. Coloque los soportes laterales encima de la estructura con el orificio 1 debajo del cabezal remachado. Coloque en su sitio con abrazaderas o marque la estructura en los orificios 2 y 4. taladre un orificio de 1/2" (12,7mm) dentro de la estructura en los orificios 2 y 4.
2. Coloque un espaciador de 1/2" (12,7mm) de grosor entre la estructura y los orificios 2 y 4. Enrosque un tornillo de coche de 1/2" (12,7mm) sobre el cable de tiro. Coloque una placa de tornillo encima del tornillo. Tire del extremo libre del cable de tiro a través del extremo del marco y sáquelo a través del orificio de montaje de 1/2" (12,7mm). Tire del perno hacia abajo a través del orificio. Destornille el cable de tiro y repita el proceso para los otros tornillos.
3. Instale las tuercas, arandelas de bloqueo y arandelas planas de 1/2" (12,7mm) en los tornillos.
4. Instale la sección central para la UBICACIÓN DEL SOPORTE LATERAL 1. (Consulte la página 2).

CONSULTE LAS INSTRUCCIONES PARA LA UBICACIÓN DE LOS SOPORTES LATERALES PARA CONOCER LA SECUENCIA APROPIADA PARA EL APRIETE DE LOS TORNILLOS.

INSTALACIÓN E

EQUIPO NECESARIO

**DADO 3/4"(19MM)
BROCA DE 1/2" (12,7MM)
LLAVE DE TORSIÓN
LENTES DE SEGURIDAD**



NOTA:

Montaje general - monte sin apretar la sección central (página 1); instale sin apretar los soportes laterales del vehículo (esta página); instale el montaje de la sección central (página 2-3); apriete todos los sujetadores de acuerdo a las especificaciones (página 1).

MOD. 90-93 PICK-UP MAZDA

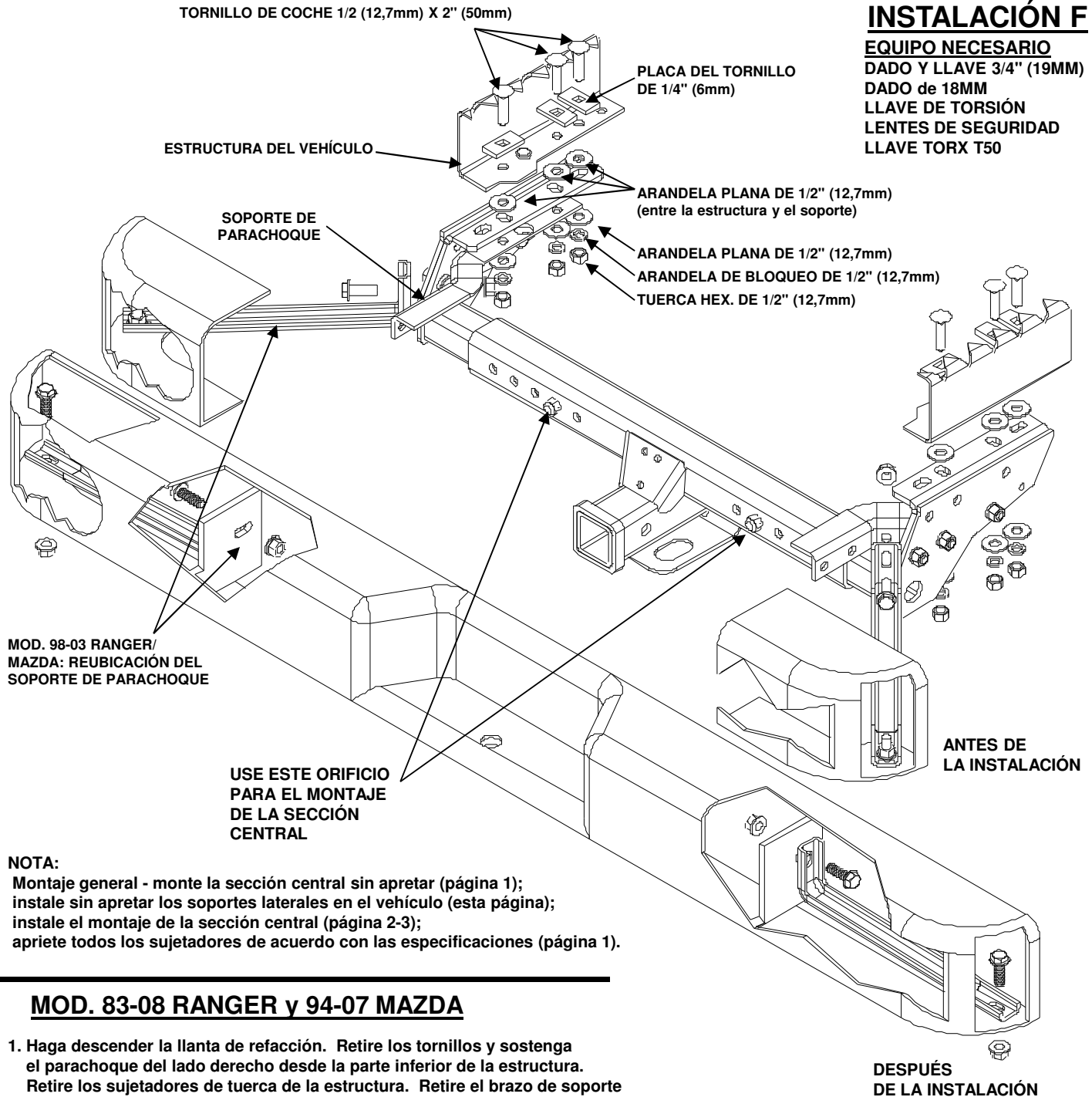
1. Eleve los soportes hacia la estructura con el soporte lo más adelante posible, hacia el frente de la camioneta. No permita que el soporte descansa encima de la parte soldada de la estructura. Coloque las abrazaderas en su sitio.
2. Taladre un orificio de 1/2" (12,7mm) dentro de la estructura usando el orificio 3 como guía. Enrosque el tornillo del coche de 1/2" (12,7mm) sobre el cable de tiro y coloque una placa para el tornillo encima del tornillo. Meta el extremo libre del cable de tiro dentro del extremo abierto de la estructura y sáquelo a través del orificio 3. Tire del tornillo hacia abajo a través del orificio 3. Desenrosque el cable.
3. Asegúrese de que el gancho se encuentre nivelado. Taladre un orificio de 1/2" (12,7mm) a través del soporte del parachoque usando el orificio 6 como guía.
4. Instale la sección central de acuerdo a la UBICACIÓN DEL SOPORTE LATERAL 1 (consulte la página 2).
5. Inserte un tornillo de 12mm desde el exterior, dentro del orificio. Instale las tuercas, arandelas de bloqueo y arandelas planas de 1/2" (12,7mm) en todos los tornillos.

CONSULTE LAS INSTRUCCIONES PARA LA UBICACIÓN DE LOS SOPORTES LATERALES PARA CONOCER LA SECUENCIA APROPIADA PARA EL APRIETE DE LOS TORNILLOS.

INSTALACIÓN F

EQUIPO NECESARIO

DADO Y Llave 3/4" (19MM)
DADO de 18MM
Llave DE TORSIÓN
LENTES DE SEGURIDAD
Llave TORX T50



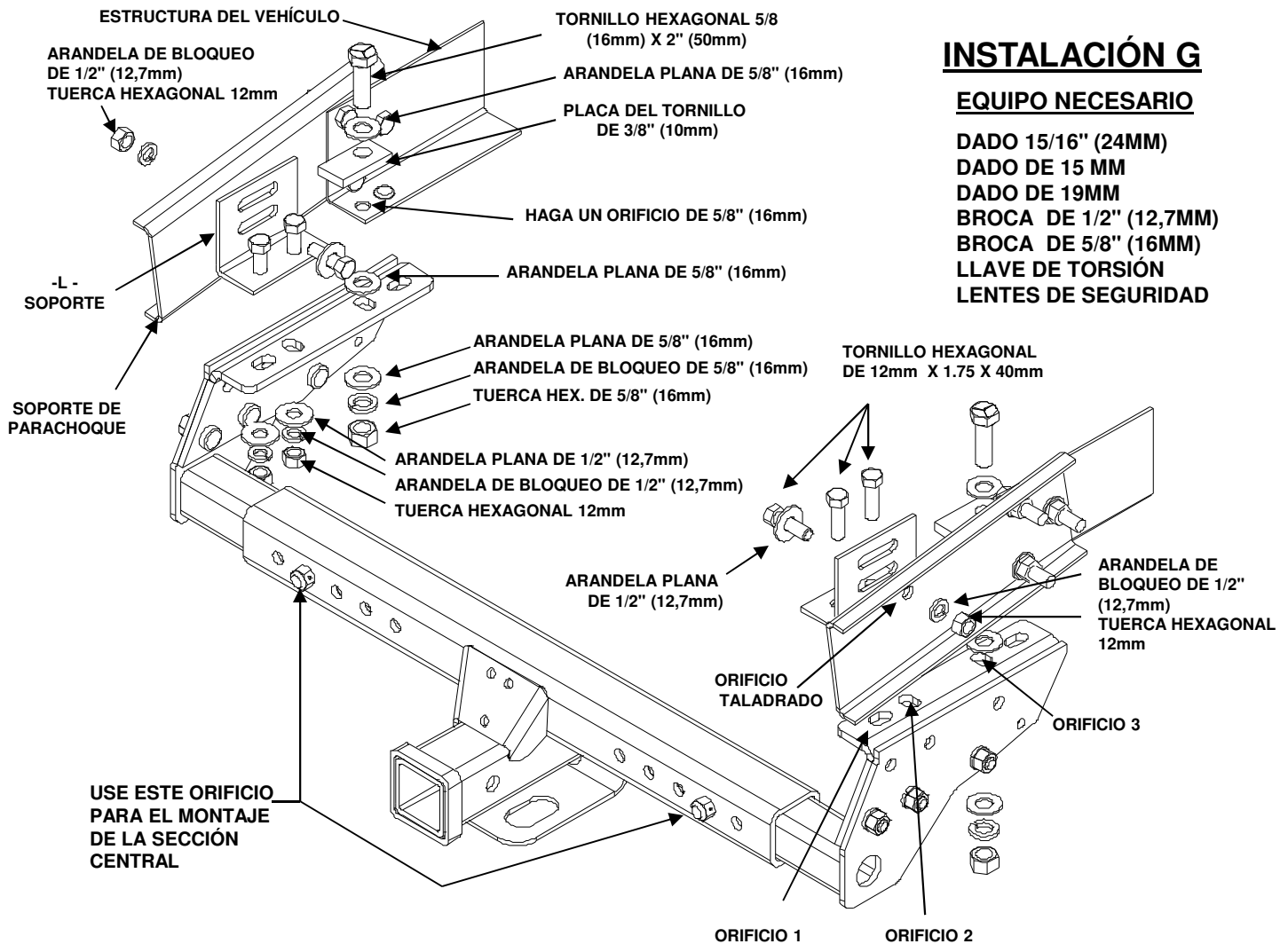
NOTA:

Montaje general - monte la sección central sin apretar (página 1);
instale sin apretar los soportes laterales en el vehículo (esta página);
instale el montaje de la sección central (página 2-3);
apriete todos los sujetadores de acuerdo con las especificaciones (página 1).

MOD. 83-08 RANGER y 94-07 MAZDA

- Haga descender la llanta de refacción. Retire los tornillos y sostenga el parachoque del lado derecho desde la parte inferior de la estructura. Retire los sujetadores de tuerca de la estructura. Retire el brazo de soporte que se extiende hasta la esquina del parachoque. Necesitará la llave TORX T50 para destornillarlo del parachoque. **(PARA LOS MODELOS 98-05).**
- Deje caer los tornillos de coche de 1/2" (12,7mm) y las placas de tornillo a través de los orificios en la estructura y sostenga el soporte del lado derecho encima de los tornillos con las arandelas planas entre la estructura y el soporte en las tres ubicaciones de atornillado. Vuelva a colocar el soporte del parachoque debajo del soporte del gancho e instale las arandelas planas de 1/2" (12,7mm), tuercas y arandelas de bloqueo. Consulte el diagrama de la parte superior. En este momento no apriete las tuercas.
- Retire los soportes del lado izquierdo del parachoque, los sujetadores de tuerca y el brazo de la esquina del parachoque.
- Eleve el soporte del lado izquierdo encima del soporte del parachoque y colóquelo debajo de la estructura. Repita el paso 2 para el soporte del lado izquierdo.
- Instale la sección central de acuerdo a la UBICACIÓN DEL SOPORTE 1 (consulte la página 2).
- Vuelva a colocar los brazos del parachoque. Atorníllelos dentro de la ranura del centro del parachoques. Vuelva a apretar la llanta de refacción.

CONSULTE LAS INSTRUCCIONES PARA LA UBICACIÓN DE LOS SOPORTES LATERALES PARA CONOCER LA SECUENCIA APROPIADA PARA EL APRIETE DE LOS TORNILLOS.



INSTALACIÓN G

EQUIPO NECESARIO

DADO 15/16" (24MM)
DADO DE 15 MM
DADO DE 19MM
BROCA DE 1/2" (12,7MM)
BROCA DE 5/8" (16MM)
LLAVE DE TORSIÓN
LENTES DE SEGURIDAD

NOTA:

Montaje general - monte sin apretar la sección central (página 1); instale sin apretar los soportes laterales del vehículo (esta página); instale el montaje de la sección central (página 2-3); apriete todos los sujetadores de acuerdo a las especificaciones (página 1).

MOD. 86-04 DODGE DAKOTA- CAMA CORTA

1. Use la broca de 5/8" (16mm) para abrir los orificios en el extremo de la estructura a un diámetro de 5/8" (16mm). Inserte un tornillo hexagonal de 5/8" (16mm) X 2" (50mm) con una placa de tornillo de 3/8" (10mm) a través del orificio en el extremo de la estructura.
2. Eleve los soportes laterales hasta la estructura y alinee el orificio 3 en los soportes laterales con los tornillos hexagonales. Coloque una arandela plana de 5/8" (16mm) entre la estructura y el soporte en los tornillos hexagonales para espaciar los soportes laterales hacia abajo fuera del remache en la estructura. Consulte el diagrama.
3. Instale las tuercas, arandelas de bloqueo y arandelas planas de 5/8" (16mm) en los tornillos de coche. Apriete los tornillos de modo que se nivele el gancho.
4. Una los soportes "L" a los soportes laterales encima de los orificios 1 y 2 con dos (2) tornillos hexagonales M12 x 40mm, a cada lado, tal como se muestra.
5. Usando la ranura larga como guía, taladre un orificio de 1/2" (12,7mm) en el extremo posterior de la ranura a través de los soportes del parachoque. Instale tornillos hexagonales M12 x 40mm, tuercas, arandelas de bloqueo y arandelas planas en los tornillos.
6. Instale la sección central de acuerdo a la UBICACIÓN DEL SOPORTE LATERAL 1 (consulte la página 2).

PARA LA CABINA DAKOTA QUAD 2000-01

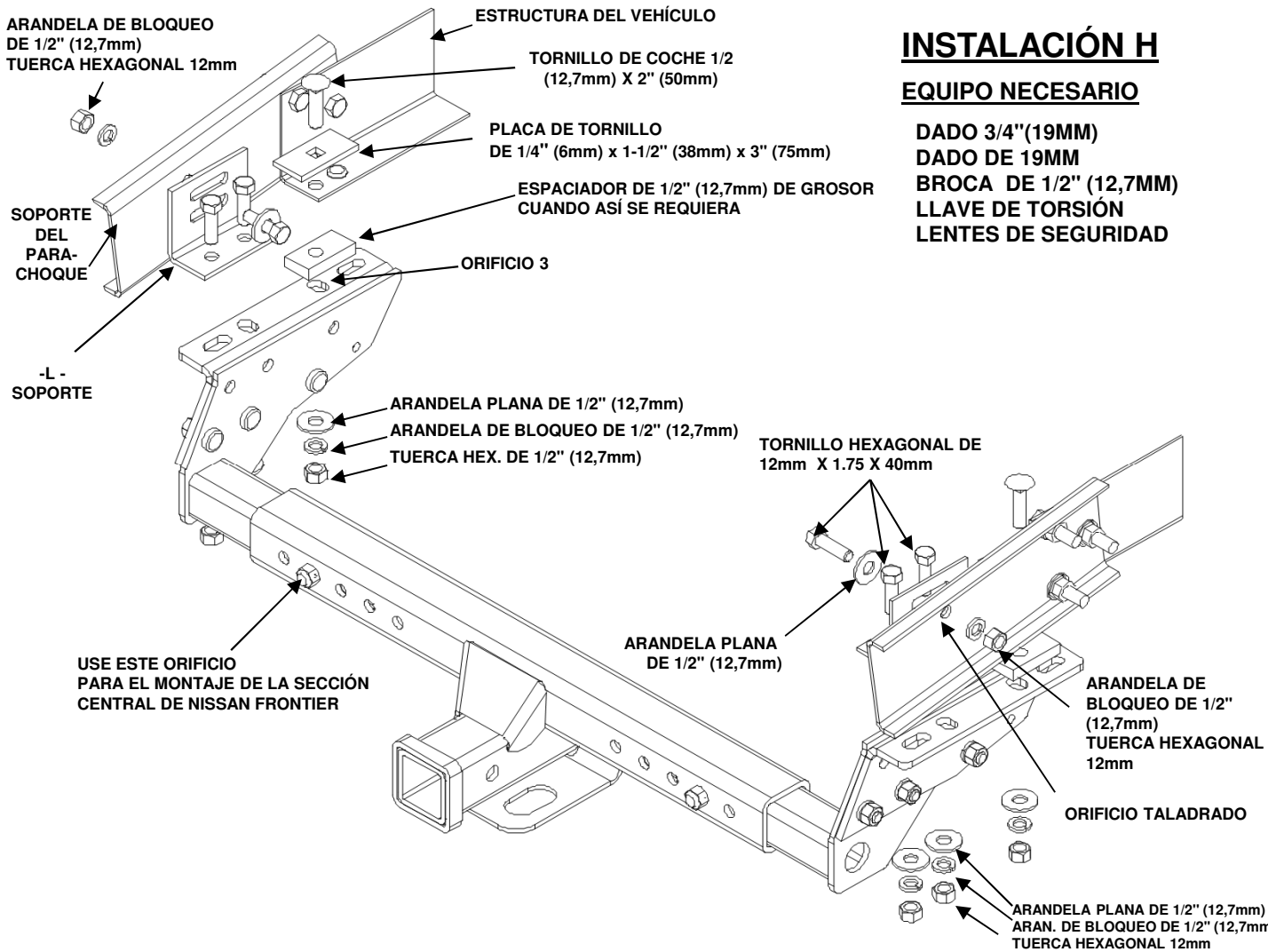
1. Retire el amortiguador de masa usando el dado de 15mm. (El amortiguador de masa es el tubo redondo justo al frente del parachoque, suspendido sobre montantes de hule.)
2. Complete los pasos anteriores (1-7).
3. Vuelva a instalar el amortiguador de masa.

CONSULTE LAS INSTRUCCIONES PARA LA UBICACIÓN DE LOS SOPORTES LATERALES PARA CONOCER LA SECUENCIA APROPIADA PARA EL APRIETE DE LOS TORNILLOS.

INSTALACIÓN H

EQUIPO NECESARIO

**DADO 3/4"(19MM)
DADO DE 19MM
BROCA DE 1/2" (12,7MM)
LLAVE DE TORSIÓN
LENTES DE SEGURIDAD**



NOTA:

Montaje general - monte sin apretar la sección central (página 1); instale sin apretar los soportes laterales del vehículo (esta página); instale el montaje de la sección central (página 2-3); apriete todos los sujetadores de acuerdo a las especificaciones (página 1).

87-04 NISSAN PICK-UP / FRONTIER 2 y 4 PUERTAS CON CAMAS DE 75" (1m87) DE ANCHO

1. Retire el tornillo de la parte inferior de la estructura, invierta su dirección y vuelva a instalar el tornillo con el cabezal en el fondo de la estructura. Coloque los soportes laterales hacia la estructura con la parte posterior del tornillo con un espaciador de 1/2" (12,7mm) encima del orificio 3.
2. Taladre un orificio de 1/2" (12,7mm) en la estructura en el orificio 3. Instale un tornillo de coche de 1/2" (12,7mm) con el bloque de 1/4" (6mm) x 1-1/2" (38mm) x 3" (75mm) hacia abajo a través de la estructura, el espaciador y el orificio 3.
3. Una los soportes "L" a los soportes laterales encima de los orificios 1 y 2 con dos tornillos hexagonales M12 x 40mm, tal como se muestra.
4. Usando la ranura larga, taladre un orificio de 1/2" (12,7mm) en el extremo posterior de la ranura a través de los soportes del para-choque. Instale tuercas hexagonales, arandelas de bloqueo y arandelas planas M12 x 40mm en los tornillos.
5. Instale la sección central de acuerdo a la UBICACIÓN DEL SOPORTE LATERAL 2 (consulte la página 2).

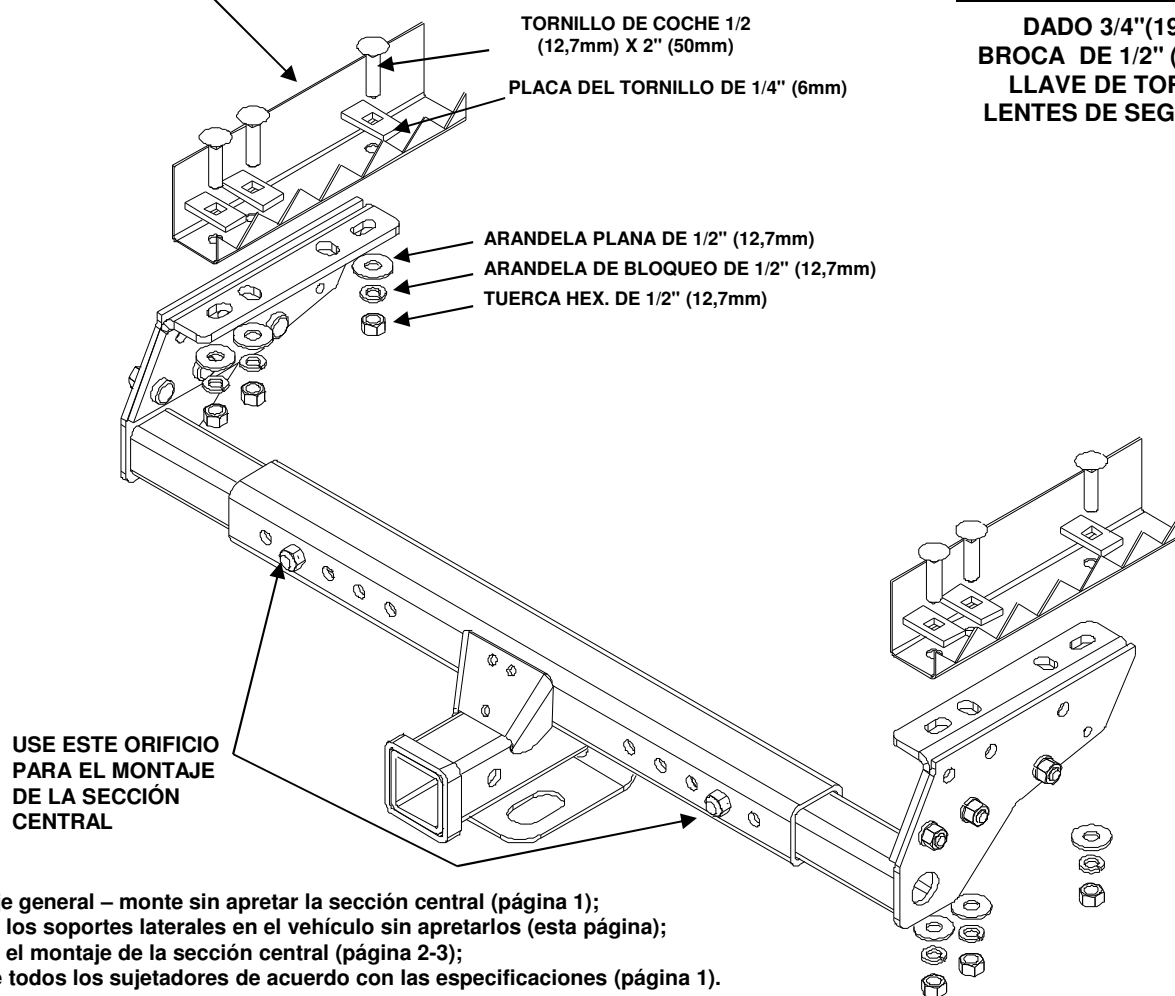
CONSULTE LAS INSTRUCCIONES PARA LA UBICACIÓN DE LOS SOPORTES LATERALES PARA CONOCER LA SECUENCIA APROPIADA PARA EL APRIETE DE LOS TORNILLOS.

INSTALACIÓN I

EQUIPO NECESARIO

DADO 3/4" (19MM)
BROCA DE 1/2" (12,7MM)
LLAVE DE TORSIÓN
LENTES DE SEGURIDAD

ESTRUCTURA DEL VEHÍCULO



NOTA:

Montaje general – monte sin apretar la sección central (página 1);
instale los soportes laterales en el vehículo sin apretarlos (esta página);
instale el montaje de la sección central (página 2-3);
apriete todos los sujetadores de acuerdo con las especificaciones (página 1).

MOD. 84-96 JEEP CHEROKEE, XJ (SIN BLINDAJE EN EL TANQUE DE GASOLINA Y COMPONENTES DE ESTRUCTURA)

1. Retire los tornillos y sostenga el porta-silenciador. Mueva el sujetador a la derecha y vuelva a colocar el tornillo izquierdo dentro del orificio de la derecha. Esto se realiza para cambiar de lugar el tubo de escape y así hacer espacio al gancho.
2. Enrosque un tornillo de coche 1/2" (12,7mm) x 2" (50mm) en el cable de tiro. Coloque una placa de tornillo de 1/4" (6mm) encima del tornillo. Empuje el extremo libre del cable dentro de la abertura en el extremo de la estructura. Saque el cable a través del orificio en la parte posterior de la estructura. Tire del tornillo hacia abajo a través del orificio. Repita el procedimiento para el otro lado.
3. Coloque los soportes laterales hacia la parte inferior de la estructura. Instale las tuercas, arandelas de bloqueo y arandelas planas de 1/2" (12,7mm) en los tornillos.
4. Instale la sección central de acuerdo a la UBICACIÓN DEL SOPORTE LATERAL 1 (consulte la página 2).

MOD. 86-97 FORD AEROSTAR (EXTENDIDA)

1. Coloque el enganche hasta la estructura lo más atrás posible. Taladre orificios de 1/2" (12,7mm) en la estructura usando los orificios 1, 2 y 4 como guías. Abra el orificio de acceso en la parte inferior de la estructura para permitir que el tornillo de coche de 1/2" (12,7mm) pase a través del mismo. Este orificio se ubica en la parte frontal de la estructura.
2. Enrosque el tornillo del coche de 1/2" (12,7mm) sobre el cable de tiro y coloque una placa de tornillo encima del mismo. Empuje el extremo libre del cable de tiro dentro del orificio de acceso y hacia afuera de uno de los orificios taladrados. Tire del tornillo hacia abajo a través del orificio. Retire el cable y repita el proceso para el resto de los orificios.
3. Instale las tuercas, arandelas de bloqueo y arandelas planas de 1/2" (12,7mm) en todos los tornillos.
4. Instale la sección central de acuerdo a la UBICACIÓN DEL SOPORTE LATERAL 1 (consulte la página 2).

CONSULTE LAS INSTRUCCIONES PARA LA UBICACIÓN DE LOS SOPORTES LATERALES PARA CONOCER LA SECUENCIA APROPIADA PARA EL APRIETE DE LOS TORNILLOS.

INSTALACIÓN J

EQUIPO NECESARIO

DADO 3/4"(19MM)

DADO DE 19MM

BROCA DE 1/2" (12,7MM)

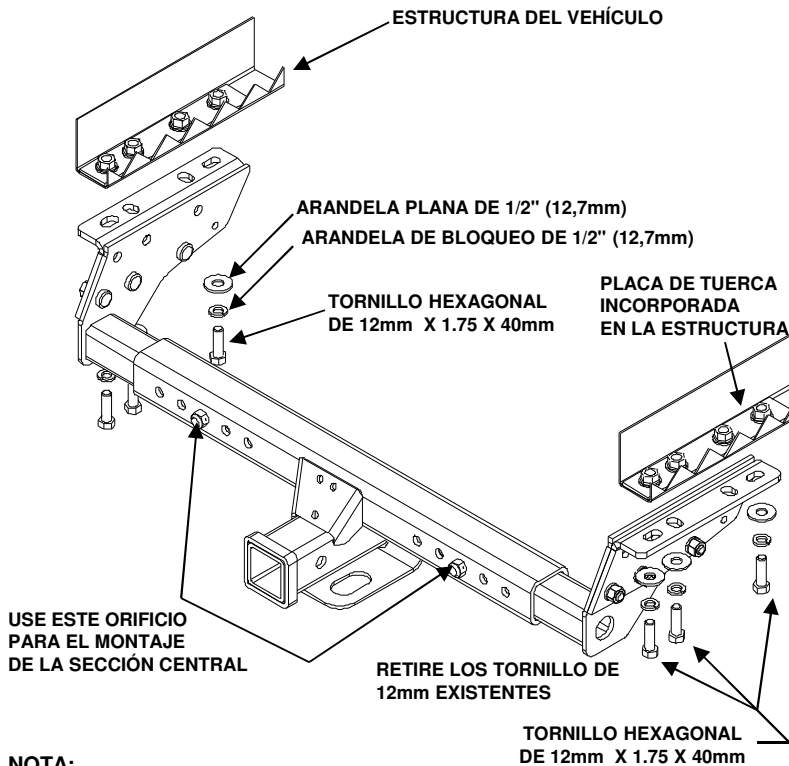
LLAVE DE TORSIÓN LENTES DE SEGURIDAD

PARA MOD. 1997-2001 JEEP CHEROKEE
VEH. CON BLINDAJE EN TANQUE DE COMBUSTIBLE:

1. Afloje la abrazadera del tubo de escape.
2. Retire los tornillos de 12mm que sujetan el blindaje a los rieles del chasis, si es que se encuentran presentes. Afloje el tornillo restante del soporte del tubo de escape.
3. Eleve los soportes laterales hacia la estructura, con la brida del lado derecho debajo del soporte del tubo de escape.

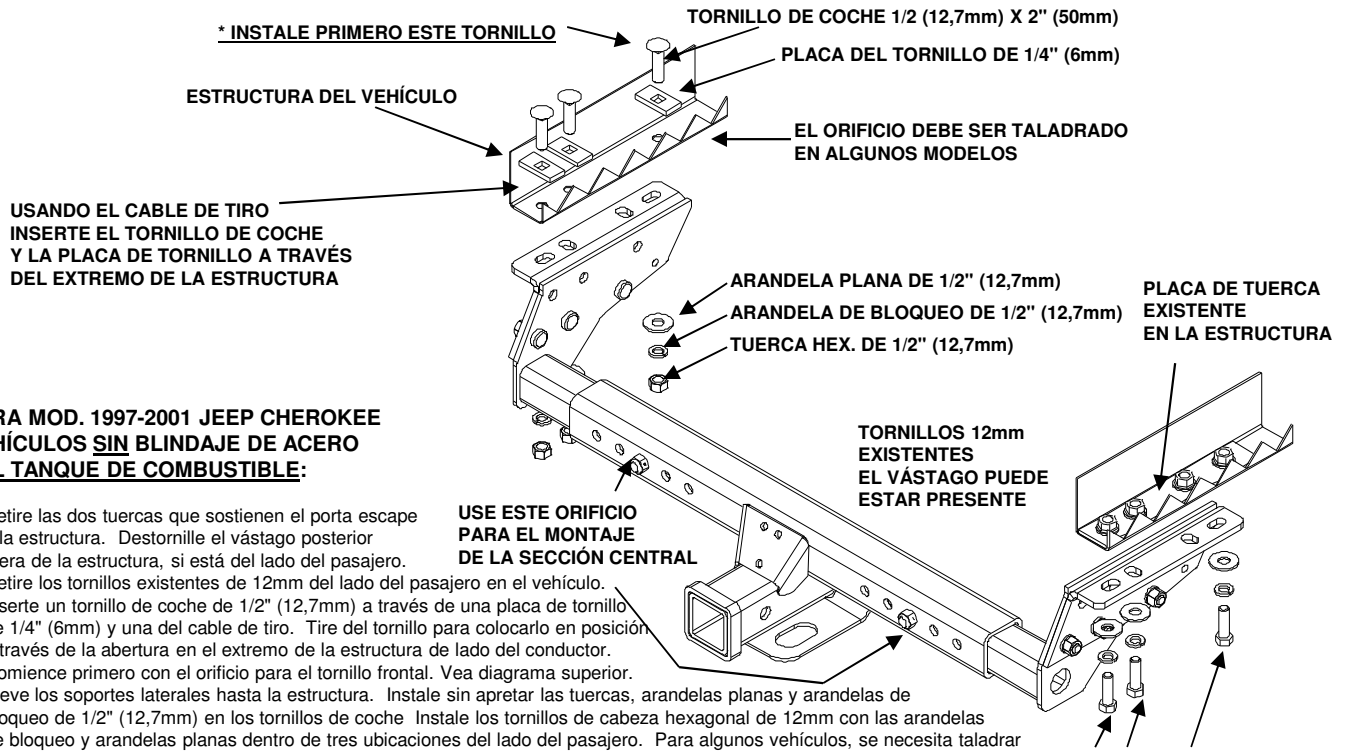
- NOTA:** En algunos modelos puede ser necesario doblar el blindaje térmico de modo que el gancho pueda instalarse. Puede ser necesario abrir los orificios en el blindaje con una broca de 1/2" (12,7mm).
4. Instale los tornillos de 12mm suministrador con las arandelas de bloqueo y arandelas planas de 1/2" (12,7mm). Acomode los tornillos.
 5. Instale la sección central de acuerdo a la **UBICACIÓN DEL SOPORTE LATERAL 2 (consulte la página 2)**.
 6. Ajuste el tubo de escape para dejar espacio. Apriete la abrazadera del tubo de escape.

CONSULTE LAS INSTRUCCIONES DE LA UBIC. DEL SOPORTE LATERAL PARA CONOCER LA SECUENCIA DE APRIETE APROPIADA.



NOTA:

Montaje general - monte sin apretar la sección central (página 1); instale sin apretar los soportes laterales del vehículo (esta página); instale el montaje de la sección central (página 2-3); apriete todos los sujetadores de acuerdo a las especificaciones (página 1).



PARA MOD. 1997-2001 JEEP CHEROKEE VEHÍCULOS SIN BLINDAJE DE ACERO DEL TANQUE DE COMBUSTIBLE:

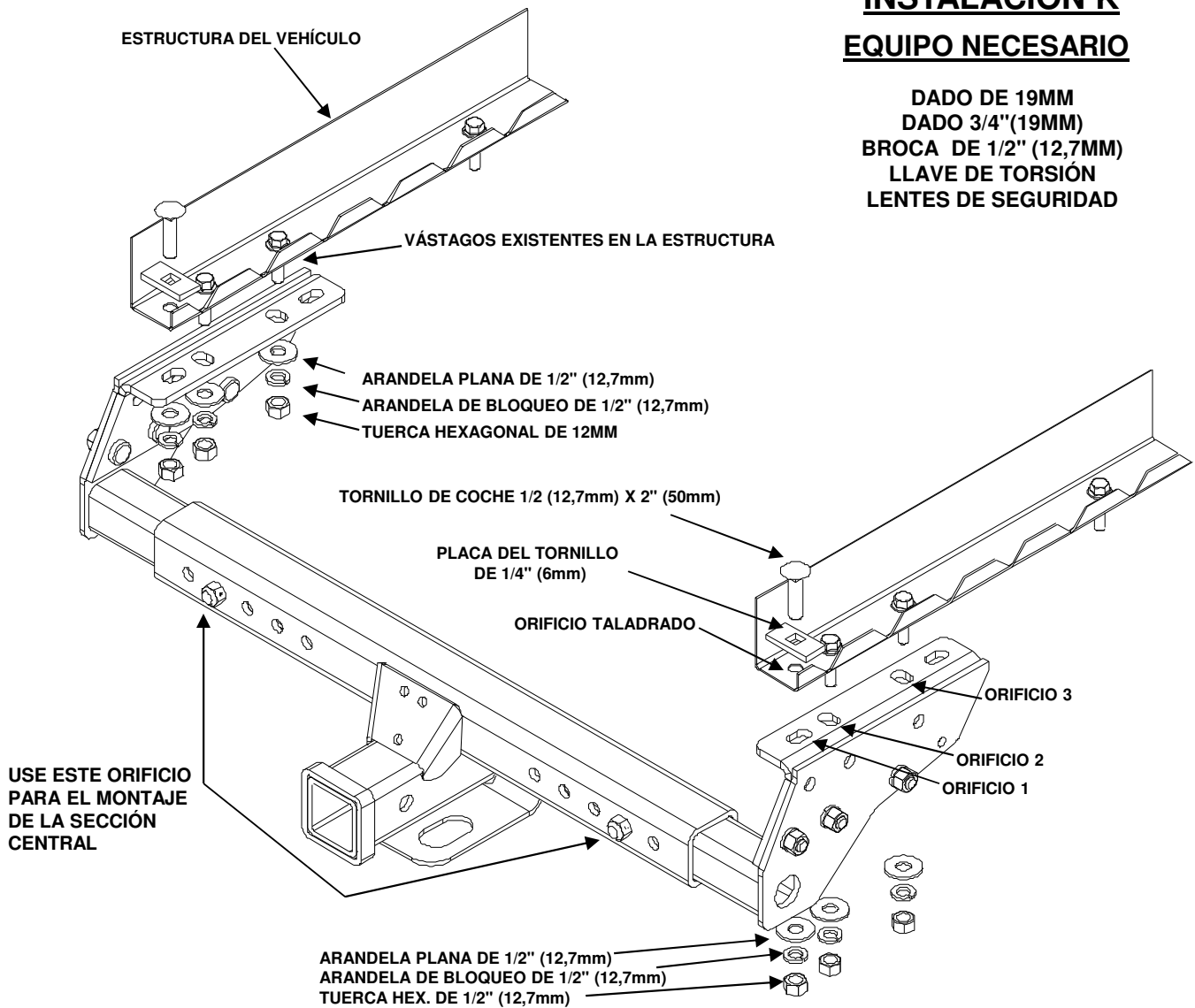
1. Retire las dos tuercas que sostienen el porta escape a la estructura. Destornille el vástago posterior fuera de la estructura, si está del lado del pasajero. Retire los tornillos existentes de 12mm del lado del pasajero en el vehículo.
2. Inserte un tornillo de coche de 1/2" (12,7mm) a través de una placa de tornillo de 1/4" (6mm) y una del cable de tiro. Tire del tornillo para colocarlo en posición a través de la abertura en el extremo de la estructura de lado del conductor. Comience primero con el orificio para el tornillo frontal. Vea diagrama superior.
3. Eleve los soportes laterales hasta la estructura. Instale sin apretar las tuercas, arandelas planas y arandelas de bloqueo de 1/2" (12,7mm) en los tornillos de coche. Instale los tornillos de cabeza hexagonal de 12mm con las arandelas de bloqueo y arandelas planas dentro de tres ubicaciones del lado del pasajero. Para algunos vehículos, se necesita taladrar el tercer orificio. Si se requiere hacer un orificio, use el cable de tiro para instalar los tornillos de coche de 1/2" (12,7mm) con la placa de tornillo de 1/4" (6mm) a través del extremo de la estructura. Instale sin apretar las tuercas hexagonales, las arandelas de bloqueo y las arandelas planas de 1/2" (12,7mm) en el tornillo de coche. Vea el diagrama de la parte superior.
4. Instale la sección central de acuerdo a la **UBICACIÓN DEL SOPORTE LATERAL 2 (vea página 2)**.
5. Vuelva a instalar el escape bajo el soporte del gancho. Instale el tornillo de 12mm con una arandela de bloqueo de 1/2" (12,7mm) y la arandela plana a través del soporte del escape, el soporte del gancho y a la estructura. Vuelva a colocar la tuerca de fábrica en el otro vástago, si está presente.

CONSULTE LAS INSTRUCCIONES PARA LA UBICACIÓN DE LOS SOPORTES LATERALES PARA CONOCER LA SECUENCIA APROPIADA PARA EL APRIETE DE LOS TORNILLOS.

INSTALACIÓN K

EQUIPO NECESARIO

DADO DE 19MM
DADO 3/4"(19MM)
BROCA DE 1/2" (12,7MM)
LLAVE DE TORSIÓN
LENTES DE SEGURIDAD



NOTA:

Montaje general - monte sin apretar la sección central (página 1); instale sin apretar los soportes laterales del vehículo (esta página); instale el montaje de la sección central (página 2-3); apriete todos los sujetadores de acuerdo a las especificaciones (página 1).

MOD. 93-98 JEEP GRAND CHEROKEE

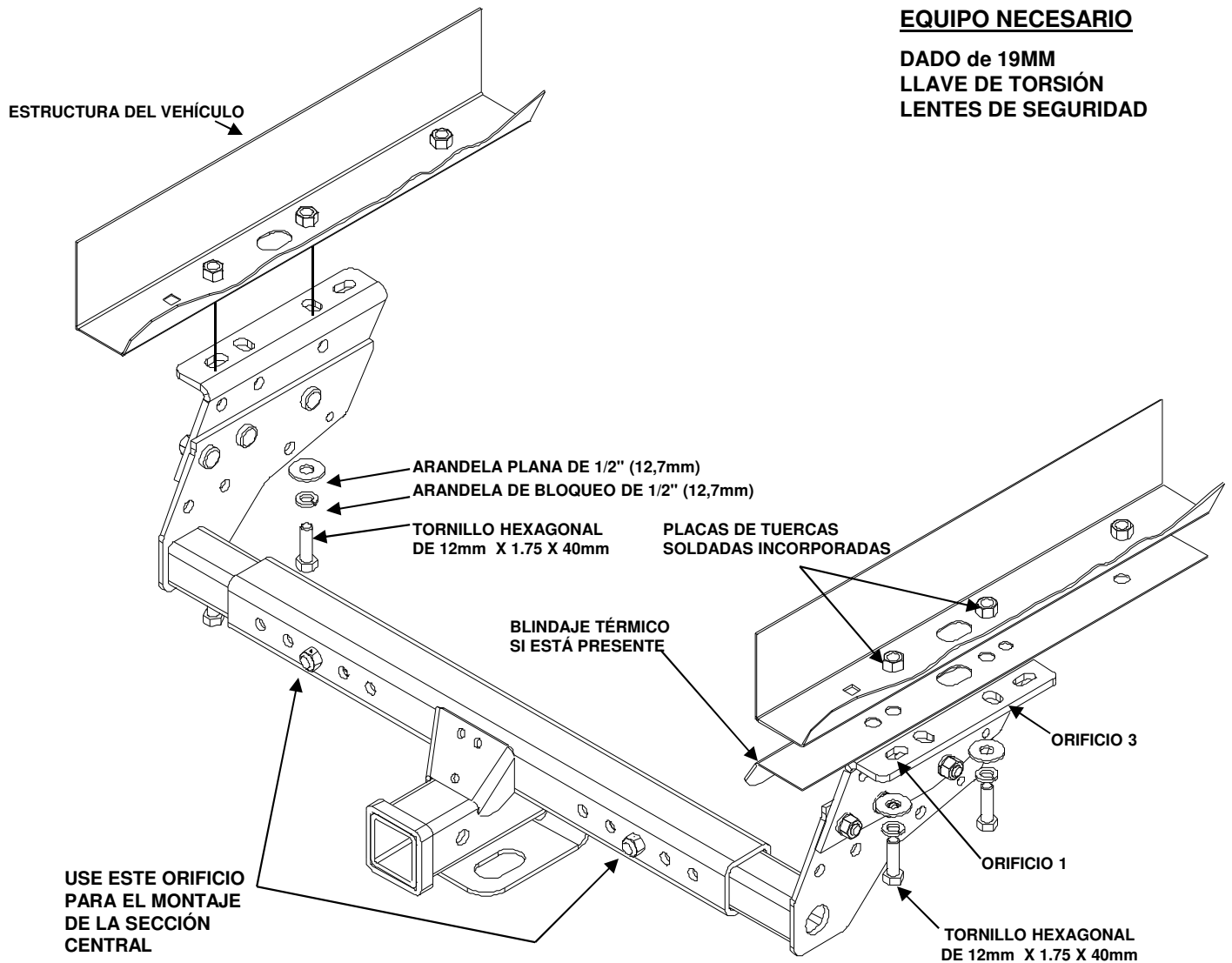
1. Coloque los soportes laterales encima de los vástagos que están sujetos dentro del fondo de la estructura. Usando los orificios 2 y 3, instale las tuercas de 12mm, arandelas de bloqueo y arandelas planas de 1/2" (12,7mm) en los vástagos.
2. Taladre un orificio de 1/2" (12,7mm) en la estructura usando el orificio 1 como guía. Enrosque el tornillo del coche de 1/2" (12,7mm) x 2" (50mm) sobre el cable de tiro y coloque una placa para el tornillo de 1/4" (6mm) encima del tornillo. Inserte el extremo libre del cable de tiro dentro de la parte superior del soporte del parachoque. Esto es entre el extremo de la estructura y el parachoque. Empuje hacia afuera del orificio 1. Tire del tornillo hacia abajo a través del orificio. Destornille el cable de tiro. Instale las tuercas, arandelas de bloqueo y arandelas planas de 1/2" (12,7mm) en los tornillos de coche.
3. Instale la sección central de acuerdo a la UBICACIÓN DEL SOPORTE LATERAL 1 (consulte la página 2).

CONSULTE LAS INSTRUCCIONES PARA LA UBICACIÓN DE LOS SOPORTES LATERALES PARA CONOCER LA SECUENCIA APROPIADA PARA EL APRIETE DE LOS TORNILLOS.

INSTALACIÓN L

EQUIPO NECESARIO

DADO de 19MM
LLAVE DE TORSIÓN
LENTES DE SEGURIDAD



NOTA:

Montaje general - monte sin apretar la sección central (página 1); instale sin apretar los soportes laterales del vehículo (esta página); instale el montaje de la sección central (página 2-3); apriete todos los sujetadores de acuerdo a las especificaciones (página 1).

MOD. 2002-07 JEEP LIBERTY

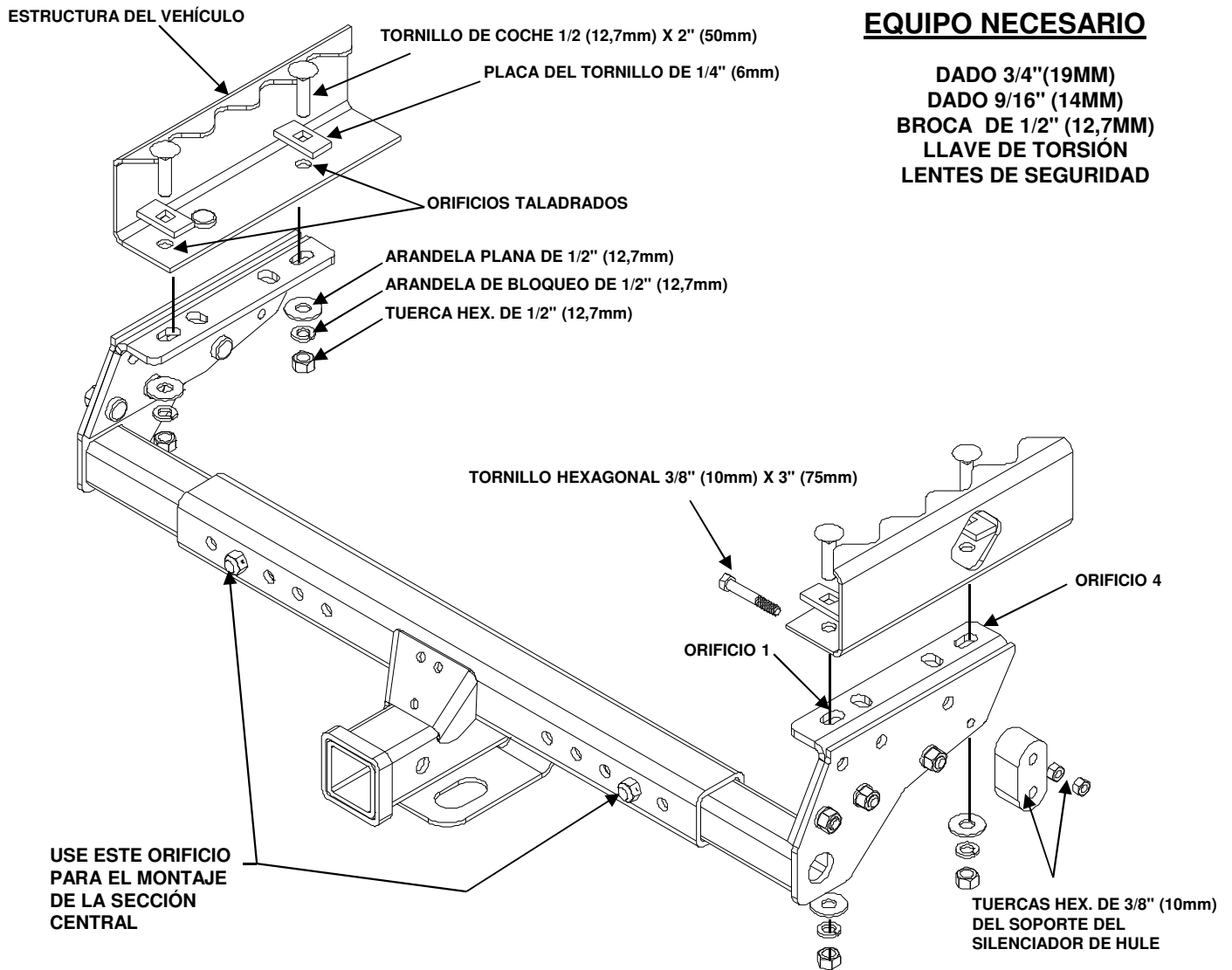
1. Si el vehículo está equipado con un tanque de combustible blindado, retire los dos tornillos de 12mm de la parte extrema posterior de cada lado.
2. Eleve los soportes laterales hasta la estructura en la orientación mostrada alineando el orificio 1 del soporte lateral con la tuerca soldada al extremo posterior. Instale sin apretar los tornillos hexagonales de 12mm suministrados, las arandelas de bloqueo y las arandelas planas en las tuercas soldadas a la estructura.
3. Instale la sección central de acuerdo a la UBICACIÓN DEL SOPORTE LATERAL 3 (consulte la página 3).

CONSULTE LAS INSTRUCCIONES PARA LA UBICACIÓN DE LOS SOPORTES LATERALES PARA CONOCER LA SECUENCIA APROPIADA PARA EL APRIETE DE LOS TORNILLOS.

INSTALACIÓN M

EQUIPO NECESARIO

DADO 3/4" (19MM)
 DADO 9/16" (14MM)
 BROCA DE 1/2" (12,7MM)
 LLAVE DE TORSIÓN
 LENTES DE SEGURIDAD



NOTA: Montaje general - monte sin apretar la sección central (página 1); instale sin apretar los soportes laterales del vehículo (esta página); instale el montaje de la sección central (página 2-3); apriete todos los sujetadores de acuerdo a las especificaciones (página 1).

MOD. 84-90 FORD BRONCO II

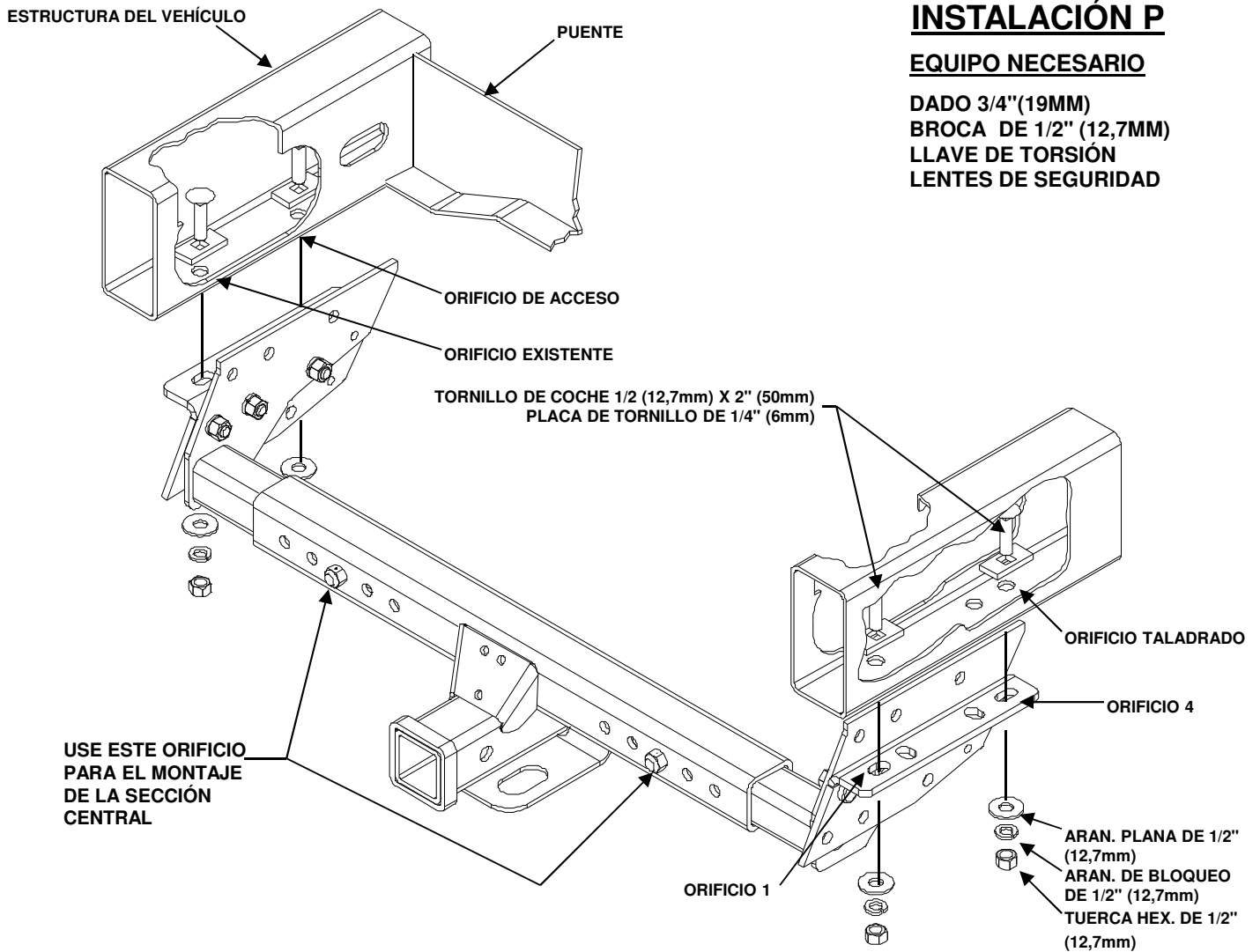
1. Doble la varilla del porta-silenciador para que no estorbe o córtela con una sierra.
2. Coloque los soportes laterales hasta la parte posterior de la estructura. Usando los orificios 1 y 4 como guía, taladre orificios de 1/2" (12,7mm) de diámetro en la estructura.
3. Entre el tanque de gasolina y la estructura, instale los tornillos de coche de 1/2" (12,7mm) y las placas de tornillos de 1/4" (6mm) dentro de los orificios 1 y 4. Instale las tuercas, arandelas de bloqueo y arandelas planas de 1/2" (12,7mm) en los tornillos.
4. Instale la sección central de acuerdo a la UBICACIÓN DEL SOPORTE LATERAL 1 (consulte la página 2).
5. Vuelva a montar el porta-silenciador al lado del soporte del gancho, usando un tornillo hexagonal de 3/8" (10mm) a través del soporte lateral y el portador de hule. Ponga dos (2) tuercas de 3/8" (10mm) en un tornillo, use la segunda tuerca como bloqueo en contra de la primera.

CONSULTE LAS INSTRUCCIONES PARA LA UBICACIÓN DE LOS SOPORTES LATERALES PARA CONOCER LA SECUENCIA APROPIADA PARA EL APRIETE DE LOS TORNILLOS.

INSTALACIÓN P

EQUIPO NECESARIO

**DADO 3/4"(19MM)
BROCA DE 1/2" (12,7MM)
LLAVE DE TORSIÓN
LENTES DE SEGURIDAD**



NOTA:

Montaje general - monte sin apretar la sección central (página 1); instale sin apretar los soportes laterales del vehículo (esta página); instale el montaje de la sección central (página 2-3); apriete todos los sujetadores de acuerdo a las especificaciones (página 1).

1996-07 CHEVROLET / GMC VANS DE TAMAÑO COMPLETO

1. Instale el tornillo de coche 1/2" (12,7mm) x 2" (50mm) con la placa de tornillo de 1/4" (6mm) a través del orificio de acceso y dentro del orificio posterior existente en la parte inferior de la estructura, a ambos lados. Eleve los soportes laterales a su posición, alineando el orificio 1 del soporte con el tornillo del coche. Instale sin apretar las tuercas hexagonales, arandelas de bloqueo y arandelas planas de 1/2" (12,7mm) en los tornillos. Repita el procedimiento para el otro lado.
2. Usando el orificio 4 del soporte lateral como guía, taladre un orificio de 1/2" (12,7mm) en la estructura. Instale un tornillo de coche de 1/2" (12,7mm) x 2" (50mm) con la placa de tornillo de 1/4" (6mm) a través del orificio taladrado. Instale la tuerca hexagonal, arandela de bloqueo y arandela plana de 1/2" (12,7mm) en el tornillo. Repita el procedimiento para el otro lado.
3. Instale la sección central de acuerdo a la UBICACIÓN DEL SOPORTE LATERAL 4 (vea la página 3).

CONSULTE LAS INSTRUCCIONES PARA LA UBICACIÓN DE LOS SOPORTES LATERALES PARA CONOCER LA SECUENCIA APROPIADA PARA EL APRIETE DE LOS TORNILLOS.

ESTRUCTURA DEL VEHÍCULO

TORNILLO DE COCHE
DE 7/16 (11mm) x 1-3/4"(44mm)

PLACA DE
TORNILLO
DE 1/4 (6mm)

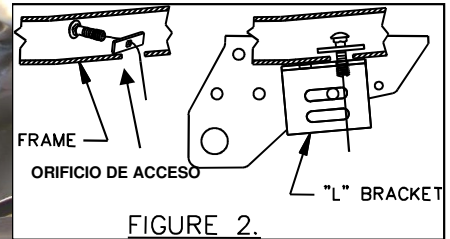
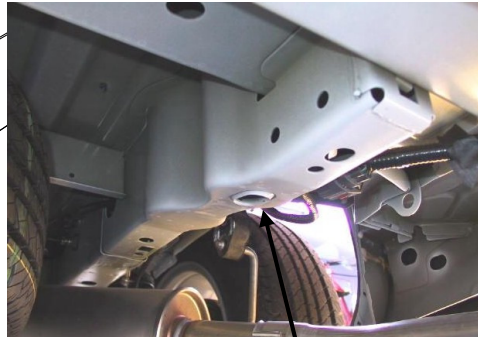


FIGURE 2.

**INSTALACIÓN Q
EQUIPO NECESARIO**

DADO 11/16" (17MM), 19MM
LLAVE DE TORSIÓN
LENTES DE SEGURIDAD CINTA

PESO MÁX. BRUTO DEL REMOLQUE: 3500 LB (1590 KG)
PESO MÁX. DE LENGÜETA: 350 LB (160 KG)
ÚNICAMENTE PESO DE CARGA
NO USE CON BARRAS DE RESORTE
NO EXCEDA TASA DE REMOLCADO DEL VEHÍCULO

ARANDELA CÓNICA DE 7/16" (11mm)
TUERCA HEX. DE 7/16" (11mm)

ORIFICIO DE ACCESO

TORNILLO HEXAGONAL
DE 12mm X 1.75 X 40mm

MONTAJE DE
PLACA LATERAL

USE ESTE ORIFICIO
PARA EL MONTAJE
DE LA SECCIÓN
CENTRAL

FIGURA 1.

ESPACIADOR DE 1/2"
(12,7mm) DE
GROSOR

SOPORTE "L"

ORIFICIO DE
ACCESO

USE ESTE ORIFICIO PARA
EL TORNILLO DE COCHE

ARAN. PLANA DE
1/2" (12,7mm)
ARAN. DE BL. DE
1/2" (12,7mm)
TUERCA HEX. 12mm

NOTA:

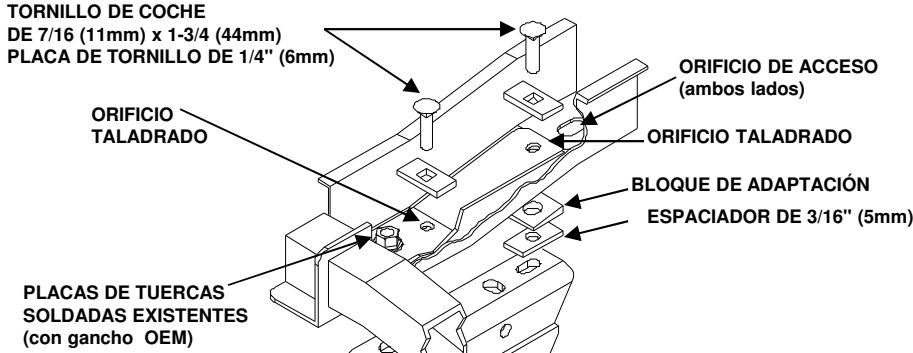
Montaje general - monte sin apretar la sección central (página 1); instale el montaje de la sección central (esta página); apriete todos los sujetadores de acuerdo con las especificaciones (página 1).

1999-2003 FORD WINDSTAR - TODOS LOS MODELOS

1. Instale sin apretar los montajes de la placa lateral dentro de la sección central, tal como se muestra. (Consulte la página 1.)
Nota: Deslice los montajes de la placa lateral hacia el centro.
2. Use el cable de tiro para instalar dos (2) tornillos de coche de 7/16" (11mm) x 1-3/4 (44mm) con placas de tornillo de 1/4" (6mm) a través del orificio de acceso y dentro de los dos orificios del interior de la estructura, a ambos lados.
3. Coloque un espaciador de 1/2" (12,7mm) de grosor en cada tornillo de coche. Aplique un poco de cinta en el espaciador y tornillo de coche para evitar que el tornillo se deslice hacia la estructura.
4. Eleve el montaje de la sección central alineando los dos orificios posteriores de la parte superior de la placa lateral con los tornillos de coche en uno de los lados del vehículo e instale la placa lateral sobre los tornillos de coche.
NOTA: Use un gato para soportar temporalmente el montaje de la sección central.
5. Instale sin apretar arandelas cónicas de 7/16" (11mm) y tuercas hexagonales en los tornillos.
6. Instale la otra placa lateral sobre los dos tornillos de coche y póngale sin apretar arandelas cónicas de 7/16" (11mm) y tuercas hexagonales.
7. Use el cable de tiro para instalar el tornillo de coche de 7/16" (11mm) con placa de tornillo de 1/4" (6mm) en el orificio de acceso del fondo de la estructura. Después tire del tornillo de coche hacia atrás a través del orificio de acceso, el cual se utilizará para instalar el soporte "L". (Consulte la figura 2.)
8. Alinee el soporte "L" con el tornillo de coche de 7/16" (11mm) e instale sin apretar la arandela cónica de 7/16" (11mm) y la tuerca hexagonal en el tornillo. Usando el tornillo hexagonal de 12mm x 40mm (totalmente roscado), la arandela plana de 1/2" (12,7mm) y la tuerca hexagonal de 12mm una el soporte "L" a la placa lateral tal como se muestra en las figuras 1 y 2 a cada lado.
9. Apriete los sujetadores con el momento de torsión apropiado. (Consulte la página 1.)

CONSULTE LAS INSTRUCCIONES PARA LA UBICACIÓN DE LOS SOPORTES LATERALES PARA CONOCER LA SECUENCIA APROPIADA PARA EL APRIETE DE LOS TORNILLOS.

INSTALACIÓN CON GANCHO OEM EXISTENTE

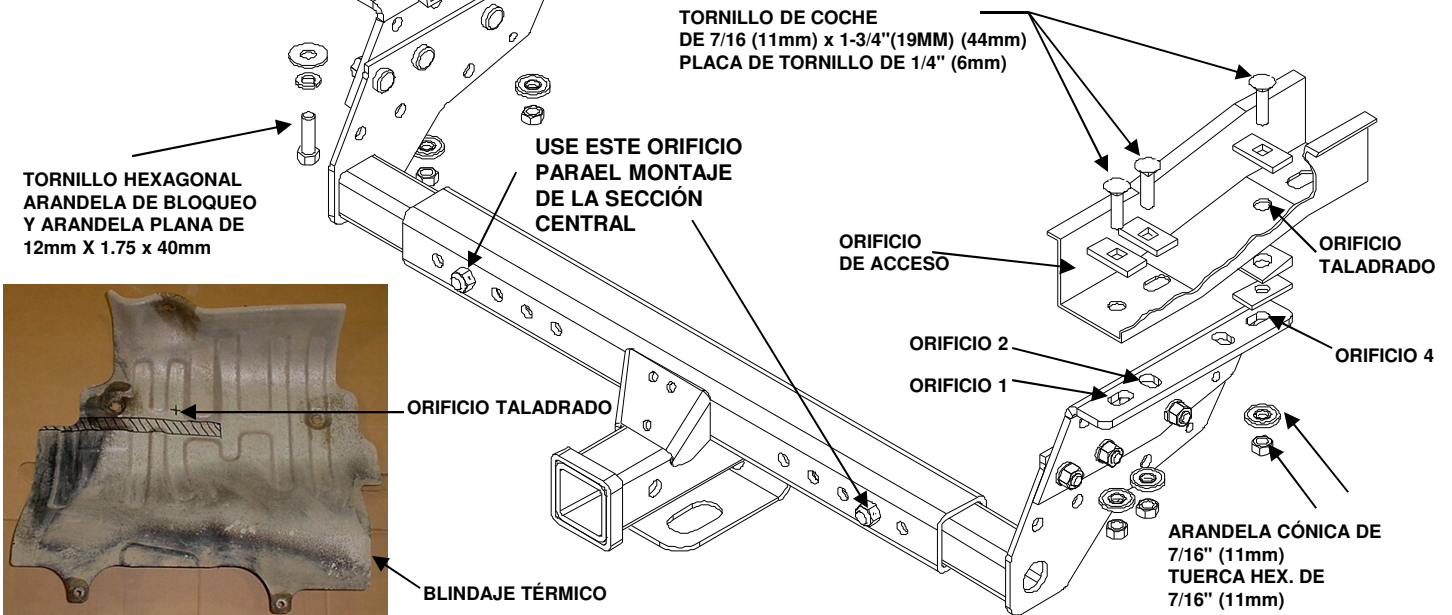


INSTALACIÓN R

EQUIPO NECESARIO

DADO DE 11/16" (17MM)
 DADO DE 3/4" (19MM)
 DADO DE 19MM
 BROCA DE 1/2" (12,7MM)
 LLAVE DE TORSIÓN
 LENTES DE SEGURIDAD
 TIJERAS DE HOJALATERO

INSTALACIÓN SIN GANCHO OEM EXISTENTE



NOTA: Montaje general - monte sin apretar la sección central (página 1); instale sin apretar los soportes laterales del vehículo (esta página); instale el montaje de la sección central (página 2-3); apriete todos los sujetadores de acuerdo a las especificaciones (página 1).

2001-04 FORD ESCAPE / MAZDA TRIBUTE - TODOS LOS MODELOS (VEHÍCULOS SIN GANCHO DE REMOLQUE O.E.M.)

1. Retire el blindaje térmico en todos los modelos 2002 y anteriores.
2. Use el cable de tiro para instalar dos tornillos de coche 7/16" (11mm) x 1-3/4 (44mm) con placas de tornillo de 1/4" (6mm) a través del orificio de acceso en el extremo de la estructura y dentro de los dos orificios posteriores existentes, a ambos lados.
3. Eleve los soportes laterales a su posición, alineando el orificio 1 del soporte con el tornillo de coche posterior. Instale sin apretar las arandelas cónicas de 7/16" (11mm) y las tuercas hexagonales en los tornillos. Repita el procedimiento para el otro lado.

NOTA: No apriete el tornillo de coche en la ubicación del orificio 2 hasta que se haya vuelto a instalar el blindaje térmico. (Paso 6).

4. Usando el orificio 4 del soporte lateral como guía, taladre un orificio de 1/2" (12,7mm) en la estructura. Instale un tornillo de coche 7/16" (11mm) x 1-3/4 (19MM) (44mm) con la placa de tornillo de 1/4" (6mm) a través del orificio de acceso y dentro del orificio taladrado. Coloque el bloque estrechado y el espaciador de 3/16" (5mm) entre la estructura y el soporte.

Instale la arandela cónica de 7/16" (11mm) y la tuerca hexagonal en el tornillo. Ambos lados.

5. Instale la sección central de acuerdo a la UBICACIÓN DEL SOPORTE LATERAL 3 (consulte la página 3).

6. Para recortar el blindaje térmico, realice un corte en forma de ranura con 3/4" (19MM) (2cm) de ancho y aproximadamente 11" (27,5cm) de largo, tal como se muestra en el dibujo. Taladre un orificio de 1/2" (12,7mm) en el blindaje a 3-7/8" (9,7cm) del orificio existente en el blindaje. Retire temporalmente la tuerca y la arandela del tornillo de coche central. Vuelva a instalar el blindaje térmico alrededor del soporte. El tornillo de coche central debe alinearse con el orificio taladrado en el blindaje térmico.

Vuelva a instalar la arandela cónica de 7/16" (11mm) y la tuerca hexagonal.

VEHÍCULOS EQUIPADOS CON GANCHO DE REMOLQUE O.E.M.

1. Retire el blindaje térmico en todos los modelos 2002 y anteriores.
2. Ensanche la ranura delantera en el fondo de la estructura para colocar las placas de tornillo 1/4" (6mm) x 1 (25mm) x 2" (50mm), a ambos lados.
3. Eleve los soportes laterales a su posición, alineando el orificio 1 del soporte con el tornillo posterior existente. Instale la tuerca hexagonal de 12mm con la arandela de bloqueo de 1/2" (12,7mm) y la arandela plana, sin apretar, a ambos lados tal como se muestra.
4. Usando los orificios 2 y 4 del soporte lateral como guía, taladre un orificio de 1/2" (12,7mm) en la estructura. Use el cable de tiro para instalar el tornillo de coche de 7/16" (11mm) x 1-3/4 (44mm) con las placas de tornillos de 1/4" (6mm) a través del orificio de acceso y dentro de los orificios taladrados. Instale la arandela cónica de 7/16" (11mm) y la tuerca hexagonal en el tornillo. Ambos lados.

NOTA: No apriete el tornillo de coche en la ubicación del orificio 2 hasta que se haya vuelto a instalar el blindaje térmico. (Paso 6 anterior).

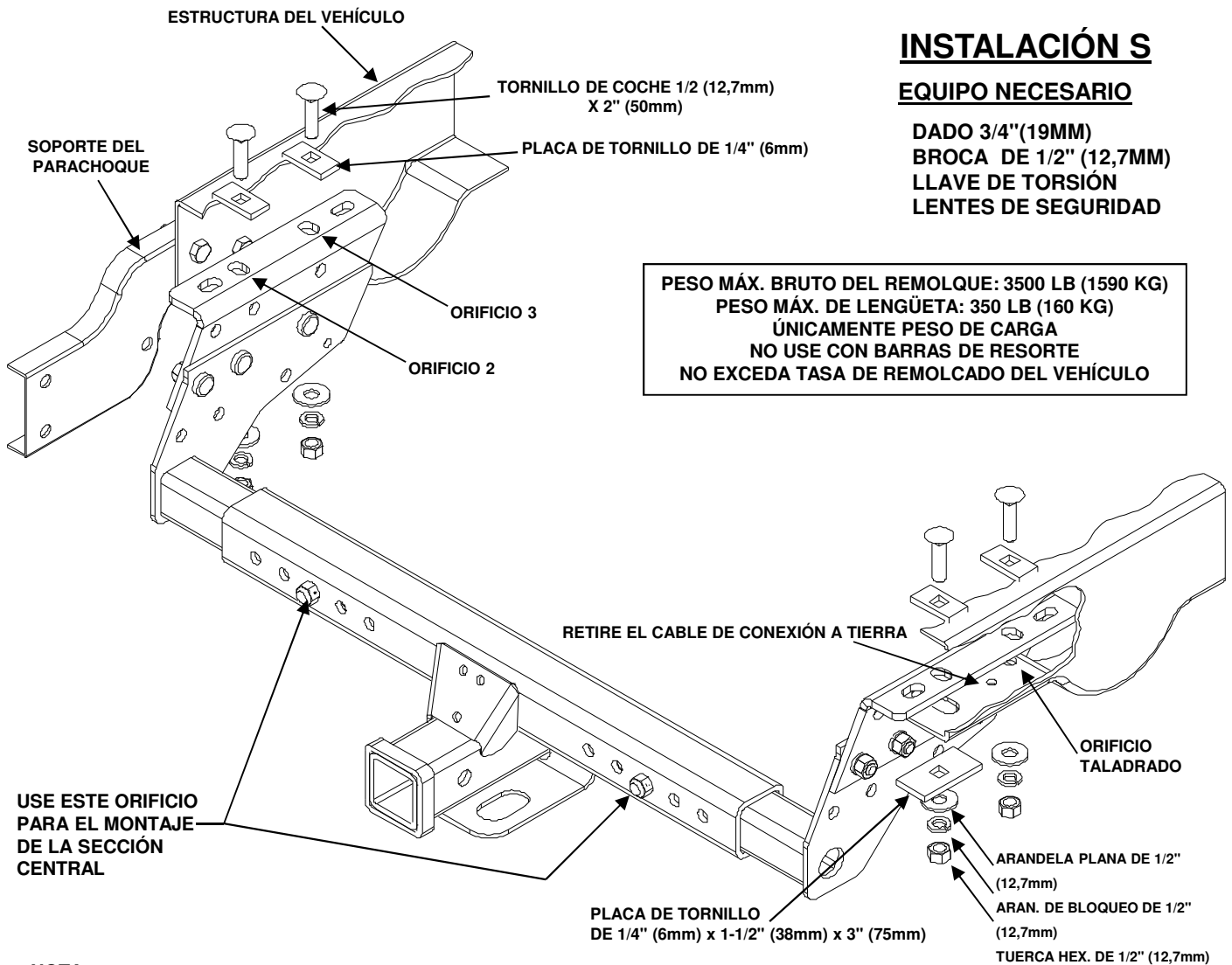
5. Vea los pasos 5 y 6 anteriores para obtener la información para la instalación final.

CONSULTE LAS INSTRUCCIONES PARA LA UBICACIÓN DE LOS SOPORTES LATERALES PARA CONOCER LA SECUENCIA APROPIADA PARA EL APRIETE DE LOS TORNILLOS.

INSTALACIÓN S

EQUIPO NECESARIO

DADO 3/4"(19MM)
BROCA DE 1/2" (12,7MM)
LLAVE DE TORSIÓN
LENTES DE SEGURIDAD



NOTA:

Montaje general - monte sin apretar la sección central (página 1); instale sin apretar los soportes laterales del vehículo (esta página); instale el montaje de la sección central (página 2-3); apriete todos los sujetadores de acuerdo a las especificaciones (página 1).

MOD. 2001-04 CHEVROLET S-10 / GMC S-15 CAMA CORTA (SÓLO 4 X 4) Y CABINA DE PERSONAL MOD. 1998-2000 ISUZU HOMBRE, DE CAMA CORTA (SÓLO 4 X 4)

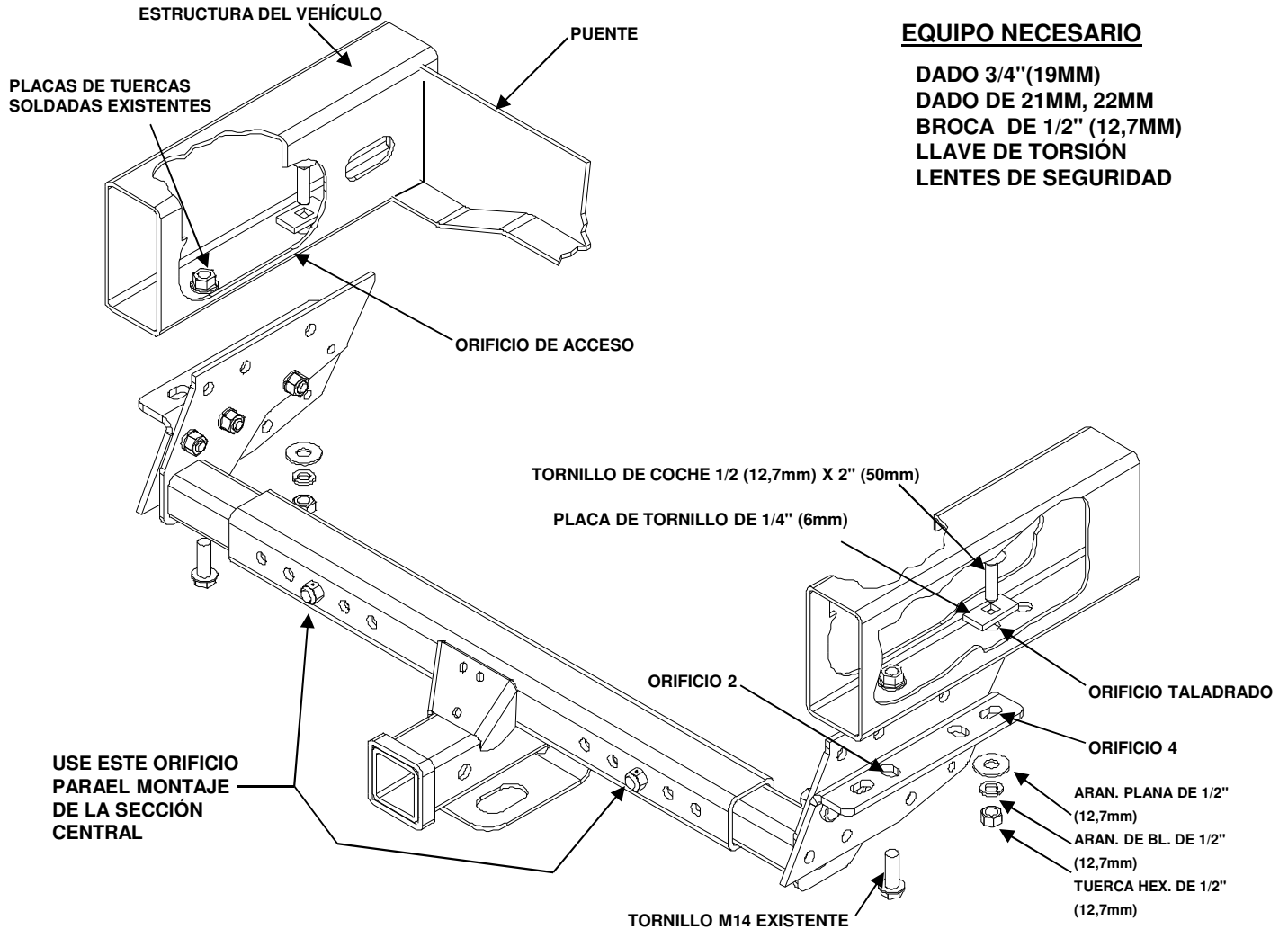
1. Desconecte el cable de conexión a tierra de la superficie inferior de la estructura del lado del pasajero.
2. Eleve los soportes laterales a su posición. Coloque la pestaña de montaje de los soportes encima de la estructura, tal como se muestra. Alinee los dos orificios en el soporte con el orificio más grande, al extremo de la estructura.
3. Instale el tornillo de coche 1/2" (12,7mm) x 2" (50mm) con la placa de tornillo de 1/4" (6mm) hacia abajo y a través del orificio 2 del soporte lateral y del orificio grande en el extremo de la estructura. Coloque el bloque de 1/4" (6mm) x 1-1/2" (38mm) x 3" (75mm) en el tornillo de coche así como la arandela plana de 1/2" (12,7mm) sin apretar, junto con la arandela de bloqueo y la tuerca hexagonal.
4. Mida una distancia de 3-3/4"(19MM) (9,5cm) hacia adelante desde el centro del tornillo de coche y taladre un orificio de 1/2" (12,7mm) en el fondo de la estructura. NOTA: El orificio taladrado debe alinearse con el orificio 3 del soporte lateral.
5. Instale el tornillo de coche 1/2" (12,7mm) x 2" (50mm) con la placa de tornillo de 1/4" (6mm) hacia abajo y a través del orificio 3 del soporte lateral y del orificio taladrado en el fondo de la estructura. Instale sin apretar la tuerca hexagonal, la arandela de bloqueo y la arandela plana de 1/2" (12,7mm), a ambos lados.
6. Instale la sección central de acuerdo a la UBICACIÓN DEL SOPORTE LATERAL 3 (consulte la página 3).
7. Vuelva a unir el cable de conexión a tierra a uno de los orificios no usados en el soporte lateral o la placa.

CONSULTE LAS INSTRUCCIONES PARA LA UBICACIÓN DE LOS SOPORTES LATERALES PARA CONOCER LA SECUENCIA APROPIADA PARA EL APRIETE DE LOS TORNILLOS.

INSTALACIÓN T

EQUIPO NECESARIO

DADO 3/4"(19MM)
DADO DE 21MM, 22MM
BROCA DE 1/2" (12,7MM)
LLAVE DE TORSIÓN
LENTES DE SEGURIDAD



NOTA:

Montaje general - monte sin apretar la sección central (página 1); instale sin apretar los soportes laterales del vehículo (esta página); instale el montaje de la sección central (página 2-3); apriete todos los sujetadores de acuerdo a las especificaciones (página 1).

MOD. 2000-06 DE CHEVROLET SUBURBAN, TAHOE, GMC YUKON, YUKON XL - EXCEPTO 03-06 DENALI

1. Retire el tornillo de 14mm existente del fondo de la estructura, a ambos lados.
2. Eleve los soportes laterales a su posición, alineando el orificio 2 del soporte con la tuerca soldada existente. Vuelva a instalar sin apretar los tornillos de 14 mm retirados en el paso 1.
3. Usando el orificio 4 del soporte lateral como guía, taladre un orificio de 1/2" (12,7mm) en la estructura. Instale un tornillo de coche de 1/2" (12,7mm) x 2" (50mm) con la placa de tornillo de 1/4" (6mm) a través y dentro del orificio taladrado. Instale la tuerca hexagonal, arandela de bloqueo y arandela planas de 1/2" (12,7mm) en el tornillo. Repita el procedimiento para el otro lado.
4. Instale la sección central de acuerdo a la UBICACIÓN DEL SOPORTE LATERAL 4 (vea la página 3).

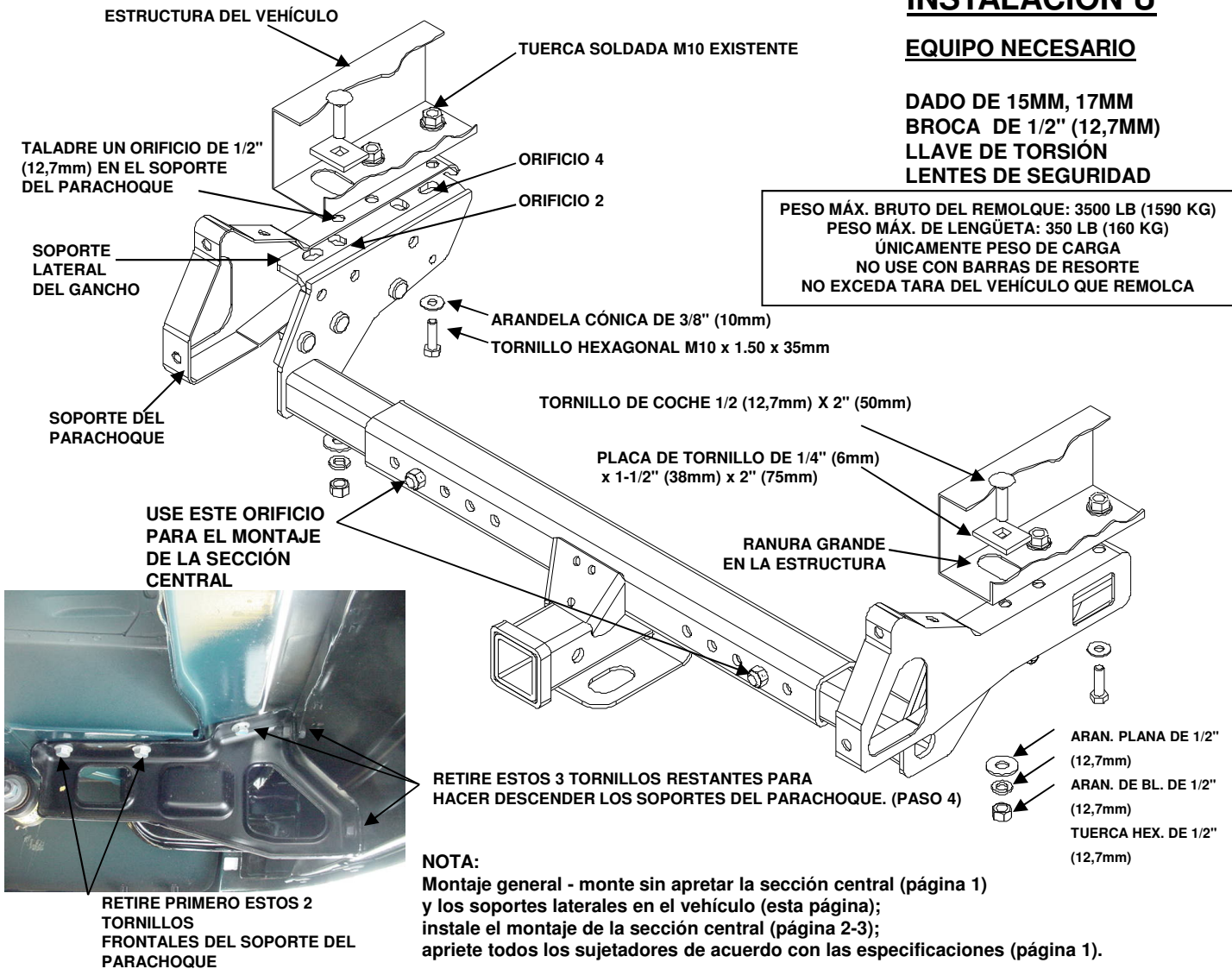
CONSULTE LAS INSTRUCCIONES PARA LA UBICACIÓN DE LOS SOPORTES LATERALES PARA CONOCER LA SECUENCIA APROPIADA PARA EL APRIETE DE LOS TORNILLOS.

INSTALACIÓN U

EQUIPO NECESARIO

DADO DE 15MM, 17MM
BROCA DE 1/2" (12,7MM)
LLAVE DE TORSIÓN
LENTES DE SEGURIDAD

PESO MÁX. BRUTO DEL REMOLQUE: 3500 LB (1590 KG)
PESO MÁX. DE LENGÜETA: 350 LB (160 KG)
ÚNICAMENTE PESO DE CARGA
NO USE CON BARRAS DE RESORTE
NO EXCEDA TARA DEL VEHÍCULO QUE REMOLCA



MOD. 1990-2005 CHEVROLET ASTRO Y GMC SAFARI VAN (ÚNICAMENTE LOS MODELOS AMPLIADOS)

1. Retire los dos tornillos del parachoque frontal y devuélvalos al propietario del vehículo, a ambos lados.
2. Eleve los soportes laterales del gancho hasta su posición, alineando el orificio 4 en el soporte con la tuerca soldada más frontal en la estructura. Instale el tornillo hexagonal M10 suministrado con la arandela cónica de 3/8" (10mm) dentro de la tuerca soldada en la estructura, apriete con los dedos.
3. Asegúrese que los soportes laterales del gancho se encuentren paralelos con la estructura y marque el orificio 2 en el soporte del gancho sobre los soportes del parachoque del vehículo. Retire los tornillos M10 y las arandelas y haga descender temporalmente los soportes laterales.
4. Retire los tres tornillos restantes del soporte del parachoque y retire los soportes del parachoque del vehículo. (Recupere los tornillos para la reinstalación del paso 6). Taladre un orificio de 1/2" (12,7mm) dentro de los soportes del parachoque en la ubicación marcada.
5. Instale los tornillos de coche 1/2" (12,7mm) x 2" (50mm) con la placa de tornillo 1/4" (6mm) x 1-1/2" (38mm) x 2" (50mm) dentro de la ranura larga en la estructura, a ambos lados, tal como se muestra.
6. Alinee el orificio taladrado en el soporte del parachoque sobre el tornillo de coche y vuelva a instalar los soportes del parachoque usando los tres pernos retirados en el paso 4.
7. Eleve los soportes laterales del gancho hasta su posición, se debe alinear el orificio 2 con el tornillo de coche e instale sin apretar las tuercas de 1/2" (12,7mm), las arandelas de bloqueo de 1/2" (12,7mm) y las arandelas planas de 1/2" (12,7mm). Vuelva a instalar el tornillo hexagonal M10 suministrado con la arandela cónica de 3/8" (10mm) en la tuerca soldada frontal dentro de la estructura.
8. Instale la sección central de acuerdo a la UBICACIÓN DEL SOPORTE LATERAL 2 (vea la página 2).

CONSULTE LAS INSTRUCCIONES PARA LA UBICACIÓN DE LOS SOPORTES LATERALES PARA CONOCER LA SECUENCIA APROPIADA PARA EL APIRIETE DE LOS TORNILLOS.

TABLA DE APLICACIONES 37152/37136

AÑO DE MODELO

MARCA & MODELO	82	83	84	85	86	87	88	89	90	91	92	93	94	95	96	97	98	99	00	01	02	03	04	05	06	07
* CHEVROLET ASTRO (EXTENDIDO SOLAMENTE)									U	U	U	U	U	U	U	U	U	U	U	U	U	U	U	U	U	U
CHEVROLET BLAZER											A	A	A													
CHEVROLET VAN TAMAÑO DE COMPLETO															P	P	P	P	P	P	P	P	P	P	P	P
* CHEVROLET S-10 PICK UP - EL TAXI DEL EQUIPO																				S	S	S	S			
CHEVROLET S-10 PICK UP PLATON LARGO 2 & 4WD		C	C	C	C	C	C	C	C	C	C	C	C	C	C	C	C	C	C	C	C	C	C	C	C	C
* CHEVROLET S-10 PICK UP PLATON CORTO 4WD SOLAMENTE																	S	S	S	S	S	S	S	S		
CHEVROLET SUBURBAN											A	A	A	A	A	A	A	A	T	T	T	T	T	T	T	T
CHEVROLET TAHOE														A	A	A	A	A	T	T	T	T	T	T	T	T
CHRYSLER TOWN & COUNTRY (Exceto la opción de asiento de stow & go)									A	A	A	A	A	A	B	B	B	B	B	B	B	B	B	B	B	B
CHRYSLER VOYAGER																					B	B	B			
DODGE CARAVAN (Exceto la opción de asiento de stow & go)		A	A	A	A	A	A	A	A	A	A	A	A	A	B	B	B	B	B	B	B	B	B	B	B	B
DODGE DAKOTA (PLATON LARGO)					A	A	A	A	A	A	A	A	A	A	A	A	A	A								
DODGE DAKOTA (PLATON CORTO)					G	G	G	G	G	G	G	G	G	G	G	G	G	G	G	G	G	G	G	G	G	G
DODGE DAKOTA QUAD CAB																			G	G						
DODGE RAMCHARGER		C	C	C	C	C	C	C	C	C	C	C	C	C												
FORD AEROSTAR (EXTENDIDO SOLAMENTE)						I	I	I	I	I	I	I	I	I	I	I										
FORD BRONCO		A	A	A	A	A	A	A	A	A	A	A	A	A	A											
FORD BRONCO II			M	M	M	M	M	M	M																	
FORD ESCAPE																					R	R	R	R		
FORD RANGER (NO LOS FLARE SIDE 98-07)		F	F	F	F	F	F	F	F	F	F	F	F	F	F	F	F	F	F	F	F	F	F	F	F	F
* FORD WINDSTAR																			Q	Q	Q	Q	Q			
GMC VAN TAMAÑO DE COMPLETO															P	P	P	P	P	P	P	P	P	P	P	P
* GMC S-15 EL TAXI DEL EQUIPO																				S	S	S	S			
GMC S-15 & SONOMA PLATON LARGO 2 & 4WD		C	C	C	C	C	C	C	C	C	C	C	C	C	C	C	C	C	C	C	C	C	C	C	C	C
* GMC S-15 & SONOMA PLATON CORTO 4WD SOLAMENTE																			S	S	S	S	S	S		
* GMC SAFARI (EXTENDIDO SOLAMENTE)									U	U	U	U	U	U	U	U	U	U	U	U	U	U	U	U	U	U
GMC SUBURBAN											A	A	A	A	A	A	A	A								
GMC YUKON & YUKON XL (NO LOS DENALI)											A	A	A	A	A	A	A	A	T	T	T	T	T	T	T	T
* ISUZU HOMBRE (4 X 4 SOLAMENTE)																			S	S	S					
JEEP CHEROKEE, XJ			I	I	I	I	I	I	I	I	I	I	I	I	I	J	J	J	J	J						
JEEP GRAND CHEROKEE												K	K	K	K	K	K									
JEEP LIBERTY																						L	L	L	L	L
MAZDA PICK UP (NO LOS FLARE SIDE 98-07)									E	E	E	E	F	F	F	F	F	F	F	F	F	F	F	F	F	F
MAZDA TRIBUTE																					R	R	R	R		
NISSAN PICK UP & FRONTIER (W/56" CAMAS)						C	C	C	C	C	C	C	C	C	C	C	C	C	C	C	C	C	C	C	C	C
NISSAN PICK UP & FRONTIER (W/75" CAMAS)						H	H	H	H	H	H	H	H	H	H	H	H	H	H	H	H	H	H	H	H	H
PLYMOUTH VOYAGER (TODOS)		A	A	A	A	A	A	A	A	A	A	A	A	A	B	B	B	B	B							

* = PESO MÁX. BRUTO DEL REMOLQUE: 3500 LB.(1590 Kg) PESO MÁX. LENGÜETA: 350 LBS (160Kg)- NO EXCEDA TARA DEL VEHÍCULO QUE REMOLCA. ÚNICAMENTE PARA TRANSPORTE DE CARGA - NO USE CON BARRAS ACTIVADAS CON RESORTES PARA LA DISTRIBUCIÓN DEL PESOAPLIQUE LA ETIQUETA #110990 DEL GRADO DE LA CARGA A CROSSTUBE SEGÚN LO DEMOSTRADO EN LA PÁGINA 1.

ESTE PRODUCTO CUMPLE CON LOS REQUISITOS Y ESPECIFICACIONES DE SEGURIDAD PARA EL ESTADO DE NUEVA YORK Y EL REGLAMENTO VESC V-S PARA LOS DISPOSITIVOS DE ENGANCHE Y LOS SISTEMAS DE REMOLQUE. EL DISEÑO PARA EL GANCHO DE DISTRIBUCIÓN DE PESO ES DE 6000 LIBRAS COMO PESO BRUTO MÁXIMO DEL REMOLQUE Y 600 LIBRAS COMO PESO MÁXIMO DE LA LENGÜETA. EL DISEÑO PARA EL GANCHO DE CARGA ES DE 5000 LIBRAS (2268 KG) COMO PESO BRUTO MÁXIMO DEL REMOLQUE Y 500 LIBRAS (226.8 KG) COMO PESO MÁXIMO DE LA LENGÜETA. CONSULTE EL MANUAL DEL PROPIETARIO DEL VEHÍCULO PARA CONOCER LAS RECOMENDACIONES Y LIMITACIONES PARA EL REMOLCADO.

GARANTÍA LIMITADA

Esta garantía limitada cubre los productos producidos por Cequent Consumer Products, Inc., o productos del remolque de Cequent, Inc. (herein colectivamente "Cequent"). Cequent garantiza sus ganchos, receptores de gancho personalizados y controles de oscilación a partir de la fecha de compra en contra de defectos en los materiales y mano de obra bajo uso y servicio normal y el desgaste natural y de excepción, durante toda la vida útil y para el comprador original. Cequent cambiará SIN CARGO ALGUNO cualquier parte que se haya comprobado que presente defectos en sus materiales y mano de obra cuando se presenten ante cualquier distribuidor Cequent, un taller autorizado de Cequent o si se devuelve a la fábrica. CARGOS DE TRANSPORTACIÓN PREVIAMENTE PAGADOS, a la siguiente dirección. ESTA GARANTÍA SE LIMITA ÚNICAMENTE A LAS PARTES DE REPUESTO DEFECTUOSAS. SE EXCLUYEN LOS CARGOS EN QUWE SE INCURRA EN PARTES DAÑADAS Y MANO DE OBRA PARA LA INSTLACIÓN O CAMBIO ADEMÁS DE LOS DAÑOS INCIDENTALES O CONSECUENCIALES RELACIONADOS CON EL MISMO. En algunos estados no se permite la exclusión o limitación de los daños incidentales o consecuenciales, en ese caso la exclusión o limitación no serán aplicables. Cualquier daño en los ganchos, receptor del enganche personalizado o controles de balanceo como resultado de un mal uso, abuso, negligencia, accidentes, una instalación inadecuada o cualquier uso que viole las instrucciones proporcionadas INVALIDARÁ LA GARANTÍA.

Esta garantía le otorga derechos legales específicos, además gozará de otros derechos que variarán de un estado a otro. En caso de un problema Cequent garantiza sus ganchos, receptores de gancho personalizados y controles de oscilación a partir de la fecha de compra en contra de defectos en los materiales y mano de obra bajo uso y servicio normal y el desgaste natural y de excepción, durante toda la vida útil y para el comprador original. con garantía de servicio o desempeño, usted tiene derecho de presentar juicios ante tribunales locales, estatales o federales.

Towing Products
27070 Miles Rd,
Solon, OH 44139.